



# Helpful Hints clear & easy 0030

426 INDUSTRIAL BOULEVARD • KEARNEYSVILLE WV 25430-2776 • USA  
 Phone: +1 (304) 728-7056 • Fax: (304) 725-6579 • Toll Free: (800) 931-9214

PAGE: 1 of 1  
 DATE: 2-26-04  
 REVISION: 00

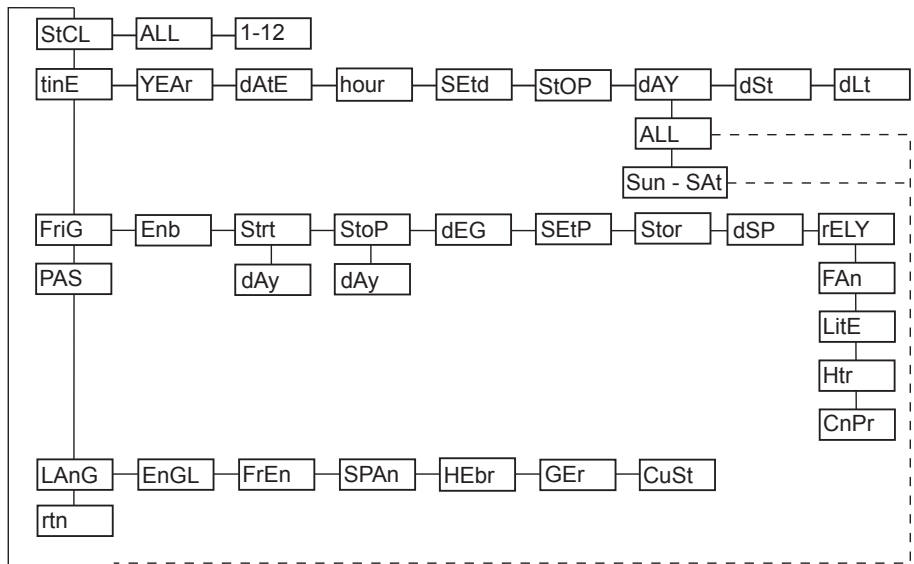
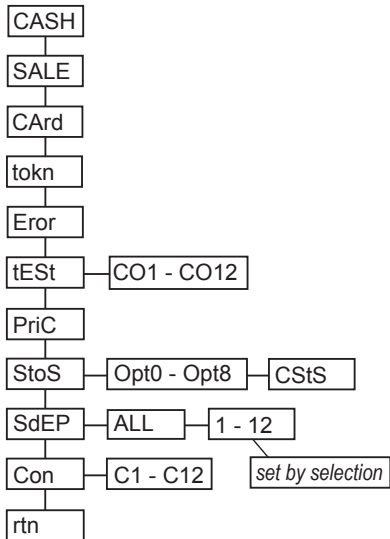
**SUBJECT:** Counter and Refrigeration Revisions to Merlin Menus

**MODELS:** Merlin IV Controllers Revision 67100-9 and Higher; Merlin TDV Revision 67160-6 and Higher

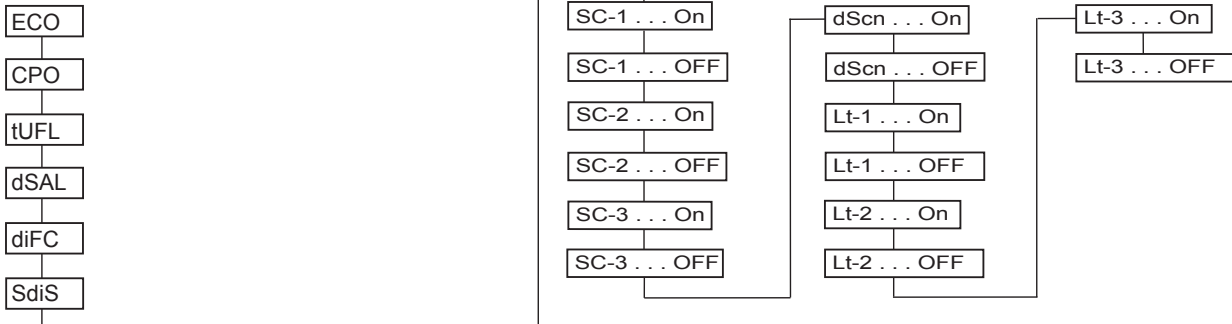
## INFORMATION:

The Internal (Service) Menu in Merlin IV and Merlin Triple-Depth Venders has been changed. The Refrigeration Mode ("FriG") has been revised to include Energy Star-compliant conservation modes. New counters have also been added to the menu, for card reader sales and token sales. The new Internal (Service) Menu is shown below.

### INTERNAL (SERVICE) MENU



### OPTIONAL MENU ITEMS (C2 set to "1")



**ANY QUESTIONS??? CONTACT ROYAL VENDORS' CUSTOMER SERVICE DEPARTMENT  
 CALL TOLL FREE (800) 931-9214**