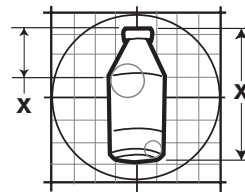




# 029 Package Vending Specification

201 Industrial Boulevard • Kearneysville, WV 25430  
Phone: (304) 728-7056 • Fax: (304) 725-6579



PAGE: 1 of 2
DATE: 1-4-02
REVISION: 00

PRODUCT NAME: Hood Milk and Juice  
 BOTTLER / COMPANY: H.P. Hood Inc.  
 VOLUME: 1 Pint / 473 mL  
 PACKAGE TYPE: Hood Milk Bottle  
 HEIGHT: 6.95 in. / 17.7 cm  
 WEIGHT: 1.16 lbs. / 0.53 kg  
 DIAMETER: 2.61 in. / 6.6 cm



## APPROVED VENDERS

VENDER	RETAINERS		72"CAPACITY	
	Front	Rear	Front	Rear
Modified MIV	9	7	28	28

**Kits / Parts:** Kit 332100 must be installed (see below).

**SPECIAL INSTRUCTIONS:** Load the packages caps to the front in the front columns and caps to the rear in the rear columns. Place anti-bridging plate from kit on the right side of both the front and rear columns. Install the modified bottle filler from the kit in both the front and rear columns.

**NOTE:** Before working on vender, remove power to vender by unplugging the vender's main power cord from the AC voltage power source (wall outlet).

## Kit Installation Instructions:

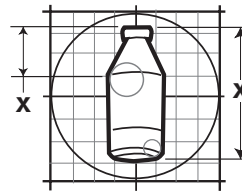
1. Unload column to be retrofitted.
2. Peel off existing anti-friction sheets on the right-side column wall. Make sure that the column wall is dry and clean.
3. Peel the backing from the two-sided tape on the back of the anti-bridging plate.
4. Place the anti-bridging plate on the column wall against the center channel (divider between the front and rear columns). Make sure that the edge of the anti-bridging plate with 1/2" of metal exposed is aligned against the center channel as shown in Figure 1. Locate the bottom edge of the plate approximately 1" above the bottom product retainer slots.
5. Install the Bottle Filler by sliding the top tabs of the Bottle Filler into the mating slots in the baffle (on the left side of the column) and lower the Bottle Filler into position as shown in Figure 2. Make sure that the Bottle Filler hangs securely in position. The Bottle Filler installs exactly the same in either the front or rear columns. **Note:** You may need to rotate the rotor so that the concaved side is facing up.

**ANY QUESTIONS???** CONTACT ROYAL VENDORS' CUSTOMER SERVICE DEPARTMENT  
**CALL TOLL FREE (800) 931-9214**



# 029 Package Vending Specification

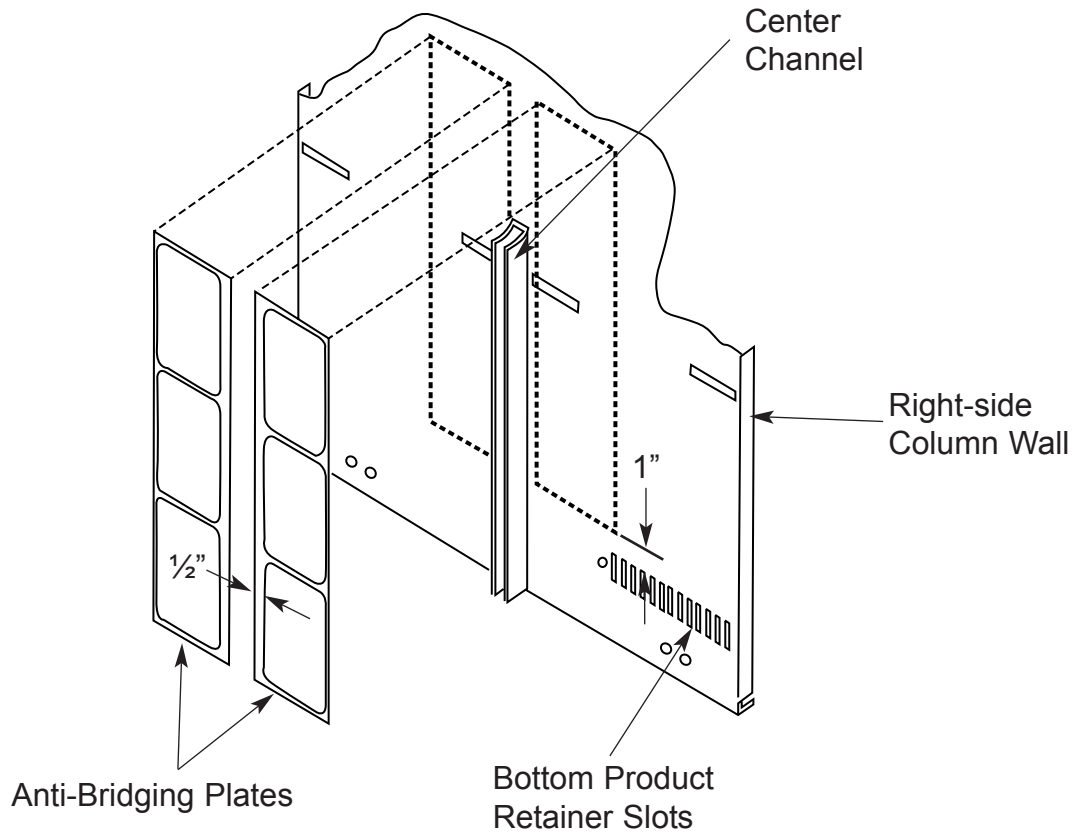
201 Industrial Boulevard • Kearneysville, WV 25430  
Phone: (304) 728-7056 • Fax: (304) 725-6579



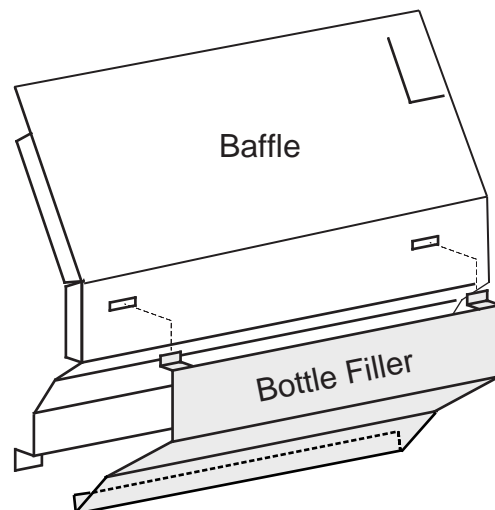
PAGE: 2 of 2
DATE: 1-4-02
REVISION: 00

**PRODUCT NAME:** Hood Milk and Juice

**Figure 1**



**Figure 2**



**ANY QUESTIONS??? CONTACT ROYAL VENDORS' CUSTOMER SERVICE DEPARTMENT  
CALL TOLL FREE (800) 931-9214**