



# SERVICE BULLETIN # 00029

201 INDUSTRIAL BOULEVARD • KEARNEYSVILLE, WV 25430

Phone: (304) 728-7056 • Fax: (304) 725-6579 • Toll Free: (800) 931-9214

PAGE: 1 of 1

DATE: 8-16-00

REVISION: 02

**SUBJECT:** Can Shim / Rod Installation for 10 oz. Cans (Double Depth, Narrow Columns)

**MODELS:** Double Depth Electro-Mechanical, Merlin 2000, Merlin III

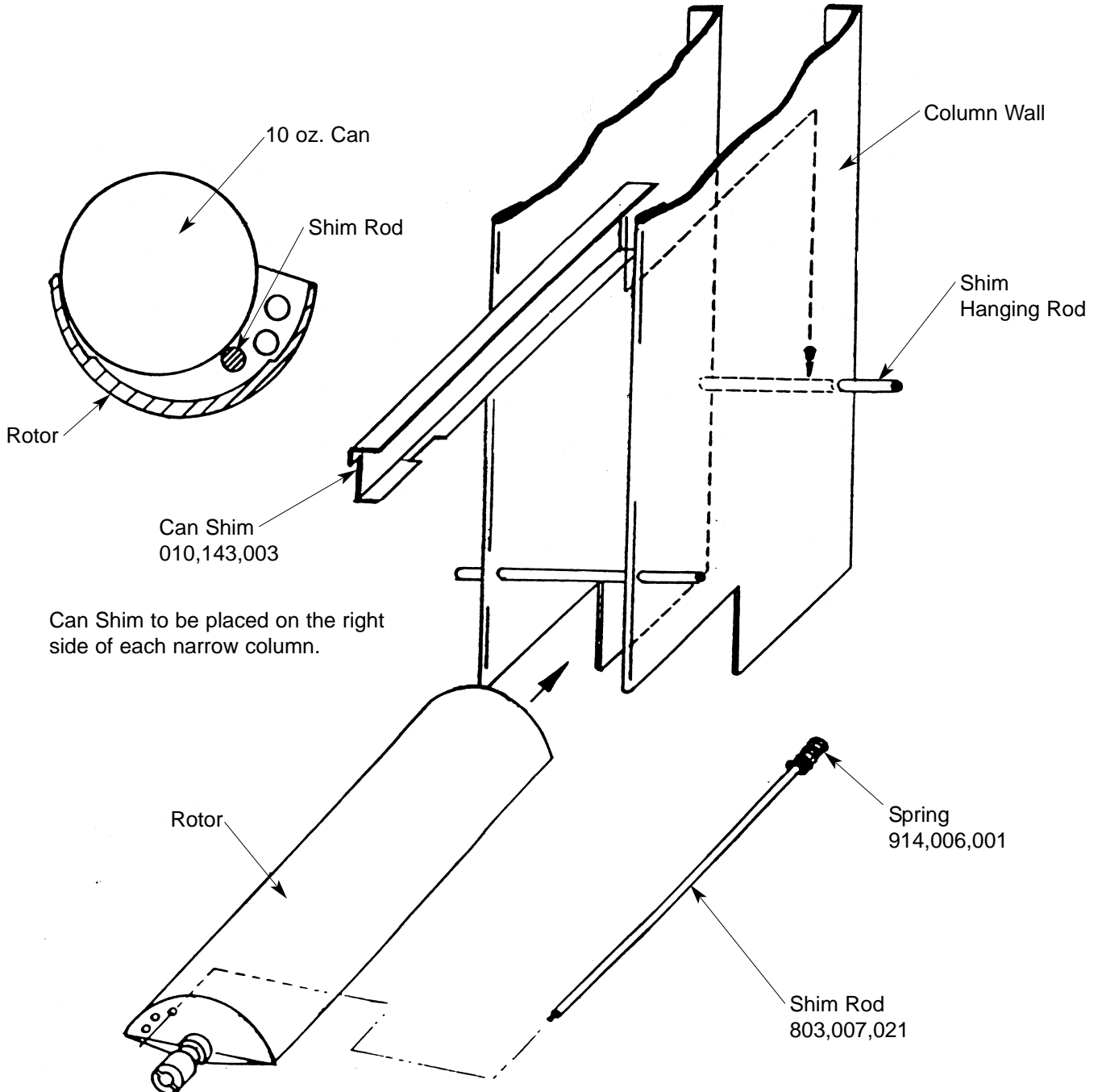
**KIT NUMBER**

**KIT DESCRIPTION**

010162

Double Depth 10 oz. Can Shim / Rod Kit (1 Kit per Narrow column)

**BEFORE WORKING ON VENDER:** Remove power from vender by unplugging vender's main power cord from the AC voltage power source (wall outlet).



**ANY QUESTIONS???** CONTACT ROYAL VENDORS' CUSTOMER SERVICE DEPARTMENT  
CALL TOLL FREE (800) 931-9214