



SERVICE BULLETIN 296

426 Industrial Boulevard • Kearneysville WV 25430-2776 • USA
 Telephone: +1 304 728 7056 • technicalinquiry@royalvenders.com
 Toll-free in North America: 1 800 931 9214 • Fax: +1 304 725 4016
 Canada: +1 905 738 5777 • Mexico: +52 55 5203 6887
 Europe: +49 2158 95 1000 • Australia: +61 2 9890 5433

Page: 1 of 5

Date: 24 Nov 08

Revision: 00

SUBJECT: 1.0 kVA Transformer Kit Installation

Number of
People
Required



MODELS: GIII, Merlin IV, RVV NG

KIT NUMBER	KIT DESCRIPTION
------------	-----------------

358803	1.0 kVA Transformer Kit - Conventional
356153	1.0 kVA Transformer Kit - RVV NG



The following areas of this vender contain voltage which can cause serious injury or even death: the main power cord, supplying 115-230 VAC to the evaporator, EMI filter, and refrigeration system; the power line from the EMI filter to the ballast and transformer; and the ballast, which can produce upwards of 600 volts. Remove all power from the vender before working in any of these areas.

TOOLS REQUIRED: Screwgun with Phillips-head bit, 3/8" socket

ESTIMATED INSTALLATION TIME: 15-20 minutes

REASON FOR BULLETIN: This bulletin describes the proper procedure for installing the 1.0 kVA transformer in a standard 115 VAC 60 Hz vender to convert it for use in a 230 VAC 60 Hz location.

INSTALLATION INSTRUCTIONS:

1. Remove power by unplugging the vender's power cord from the AC voltage source (wall outlet).
2. Remove the existing main wiring harness (junction block) from the vender.
3. Install the new main wiring harness in the same location as the old one. Connect the leads to the evaporator fan motor, the refrigeration relay, and the EMI filter. Also, plug in the refrigeration unit to the top of the junction block. (Refer to Figure 1.)
4. Install the fuse bracket in the location shown in Figure 2. Use the pre-existing holes in the cabinet wall to mount the fuse bracket. Secure it with two screws from the kit.
5. Connect the fuse link harness, which goes from the fuse box assembly to the EMI Filter. (Refer to Figure 3.) Then, connect the red lead on the main door harness to the other prong on the fuse box assembly. The black lead from the main door harness will connect to the EMI Filter, as shown in the illustration.
6. Connect the leads to the 1.0 kVA transformer. Ensure that the supplied metal jumper tabs are installed on the transformer at the same time the wires are connected. (Refer to Figure 4.)
7. Attach the green grounding wires (from the main wiring harness, the power lead, and the EMI Filter) to the grounding studs on the fuse bracket.
8. Route the power lead through the back of the cabinet.
9. Install the 1.0 kVA transformer on the bottom floor of the vender's cabinet. The transformer should be mounted as shown in Figure 5. Secure the transformer with the four 1/4"-20 bolts supplied in the kit, using the pre-drilled holes in the cabinet floor.
10. Install the transformer cover, and secure it with the two cutting screws supplied in the kit. (Refer to Figure 6.)
11. Restore power to the vender by plugging the vender's power cord into the AC voltage source (wall outlet).

In an effort to provide our customers with the latest information on our equipment, Royal Vendors sends service bulletins to customers using the original ship-to address or e-mail addresses, if supplied by our customers. We also post all service bulletins on our website at www.royalvenders.com. If for any reason a vender is moved to another location or is sold to another customer other than to whom Royal Vendors originally sent the machine, it is the responsibility of the original purchaser of the vender to notify the appropriate personnel of the service bulletin.

**ANY QUESTIONS? CONTACT ROYAL VENDORS' CUSTOMER SERVICE DEPARTMENT
 IN NORTH AMERICA, CALL TOLL FREE 1 800 931 9214**



SERVICE BULLETIN 296

426 Industrial Boulevard • Kearneysville WV 25430-2776 • USA
Telephone: +1 304 728 7056 • technicalinquiry@royalvenders.com
Toll-free in North America: 1 800 931 9214 • Fax: +1 304 725 4016
Canada: +1 905 738 5777 • Mexico: +52 55 5203 6887
Europe: +49 2158 95 1000 • Australia: +61 2 9890 5433

SUBJECT: 1.0 kVA Transformer Kit Installation

MODELS: GIII, Merlin IV, RVV NG



The following areas of this vender contain voltage which can cause serious injury or even death: the main power cord, supplying 115-230 VAC to the evaporator, EMI filter, and refrigeration system; the power line from the EMI filter to the ballast and transformer; and the ballast, which can produce upwards of 600 volts. Remove all power from the vender before working in any of these areas.

Figure 1.

Install the new main wiring harness. Then, plug in the leads to the evaporator fan motor, the refrigeration relay, and the EMI filter. Also, plug in the refrigeration unit.

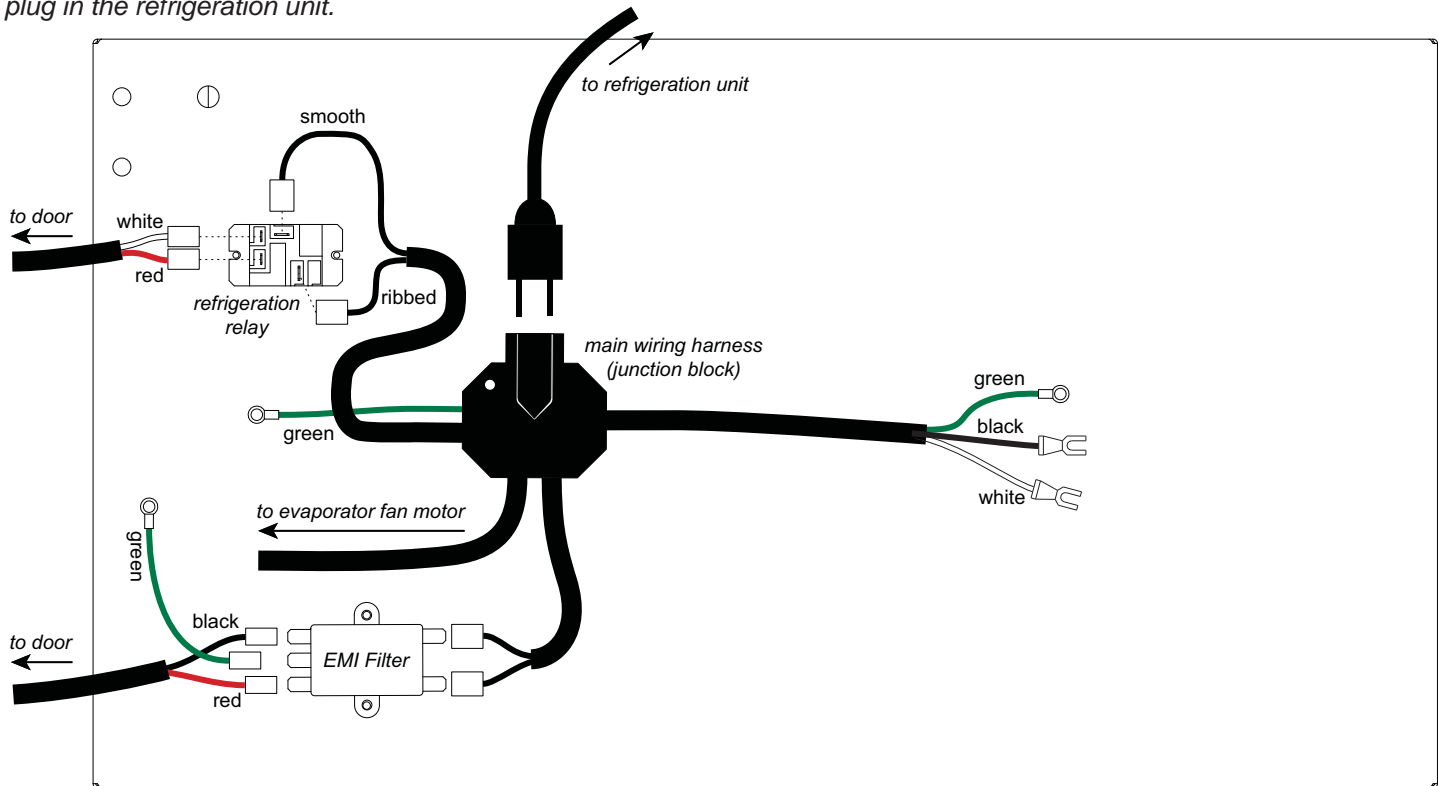
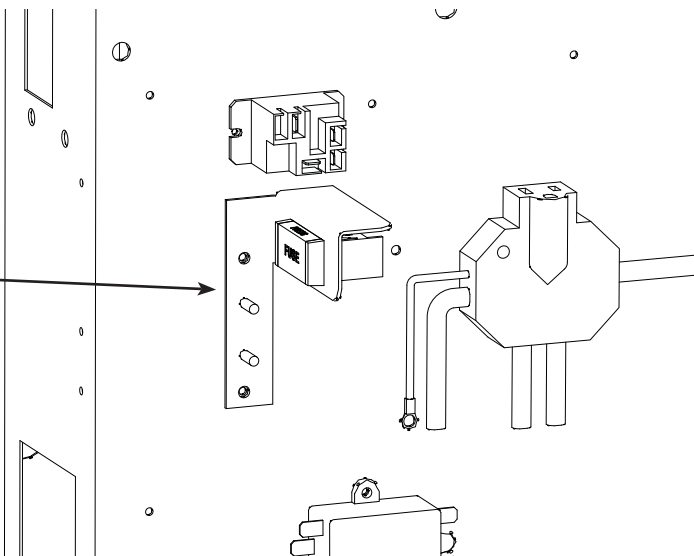


Figure 2.

Install the fuse bracket in the location shown.

Fuse bracket (shown with fuse holder assembly already installed)



**ANY QUESTIONS? CONTACT ROYAL VENDORS' CUSTOMER SERVICE DEPARTMENT
IN NORTH AMERICA, CALL TOLL FREE 1 800 931 9214**



SERVICE BULLETIN 296

426 Industrial Boulevard • Kearneysville WV 25430-2776 • USA

Telephone: +1 304 728 7056 • Fax: +1 304 725 4016

Toll-Free in North America: 1 800 931 9214 • technicalinquiry@royalvendors.com

Page: 3 of 5

Date: 24 Nov 08

Revision: 00

SUBJECT: 1.0 kVA Transformer Kit Installation

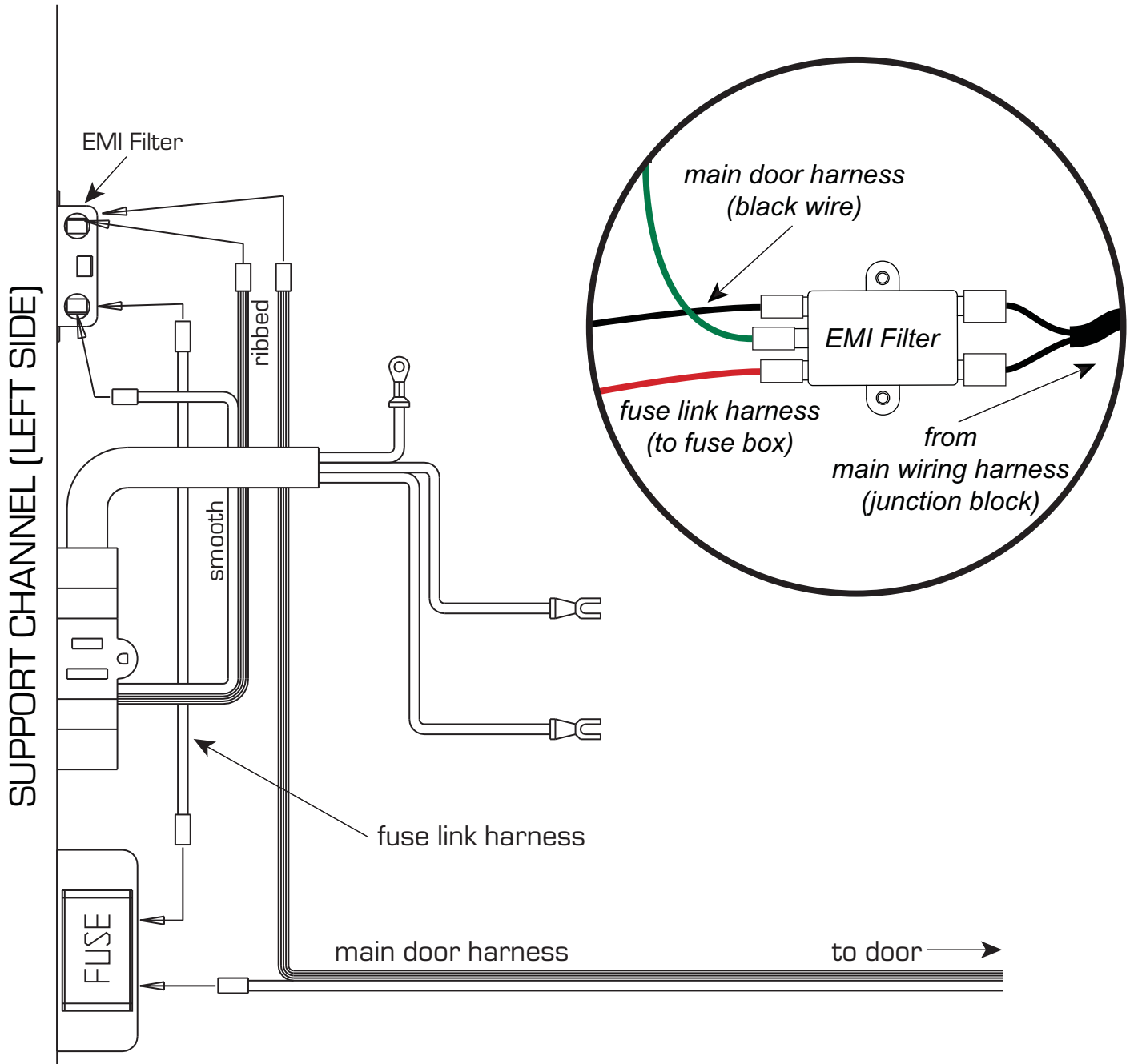
MODELS: GIII, Merlin IV, RVV NG

Figure 3.

Connect the fuse link harness and the main door harness as shown.



The following areas of this vender contain voltage which can cause serious injury or even death: the main power cord, supplying 115-230 VAC to the evaporator, EMI filter, and refrigeration system; the power line from the EMI filter to the ballast and transformer; and the ballast, which can produce upwards of 600 volts. Remove all power from the vender before working in any of these areas.




ANY QUESTIONS? CONTACT ROYAL VENDORS' CUSTOMER SERVICE DEPARTMENT IN NORTH AMERICA, CALL TOLL FREE 1 800 931 9214

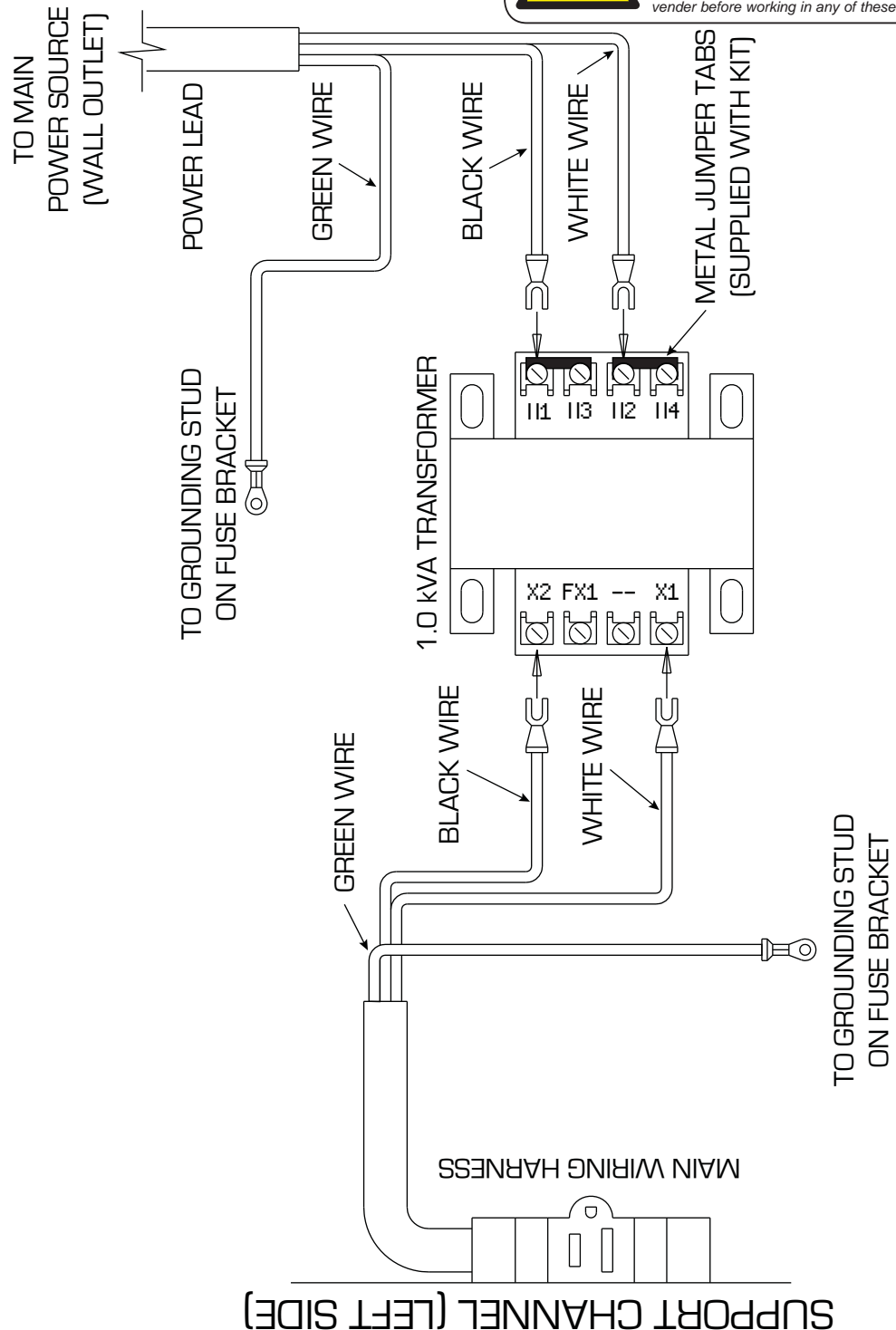
SUBJECT: 1.0 kVA Transformer Kit Installation

MODELS: GIII, Merlin IV, RVV NG

Figure 4

Connect the wires to the 1.0 kVA transformer as shown. Also ensure that the supplied metal jumper tabs are installed.

 The following areas of this vender contain voltage which can cause serious injury or even death: the main power cord, supplying 115-230 VAC to the evaporator, EMI filter, and refrigeration system; the power line from the EMI filter to the ballast and transformer; and the ballast, which can produce upwards of 600 volts. Remove all power from the vender before working in any of these areas.



ANY QUESTIONS? CONTACT ROYAL VENDORS' CUSTOMER SERVICE DEPARTMENT IN NORTH AMERICA, CALL TOLL FREE 1 800 931 9214



SERVICE BULLETIN 296

Page: 5 of 5

Date: 24 Nov 08

Revision: 00

426 Industrial Boulevard • Kearneysville WV 25430-2776 • USA

Telephone: +1 304 728 7056 • Fax: +1 304 725 4016

Toll-Free in North America: 1 800 931 9214 • technicalinquiry@royalvendors.com

SUBJECT: 1.0 kVA Transformer Kit Installation

MODELS: GIII, Merlin IV, RVV NG

Figure 5.

Mount the transformer in the direction shown. Secure it with four screws from the kit. Use the pre-drilled holes in the cabinet floor.



The following areas of this vender contain voltage which can cause serious injury or even death: the main power cord, supplying 115-230 VAC to the evaporator, EMI filter, and refrigeration system; the power line from the EMI filter to the ballast and transformer; and the ballast, which can produce upwards of 600 volts. Remove all power from the vender before working in any of these areas.



Figure 6.

Install the transformer cover as shown. Secure it with two cutting screws.



**ANY QUESTIONS? CONTACT ROYAL VENDORS' CUSTOMER SERVICE DEPARTMENT
IN NORTH AMERICA, CALL TOLL FREE 1 800 931 9214**