



# SERVICE BULLETIN 295

426 Industrial Boulevard • Kearneysville WV 25430-2776 • USA  
 Telephone: +1 304 728 7056 • technicalinquiry@royalvendors.com  
 Toll-free in North America: 1 800 931 9214 • Fax: +1 304 725 4016  
 Canada: +1 905 738 5777 • Mexico: +52 55 5203 6887  
 Europe: +49 2158 95 1000 • Australia: +61 2 9890 5433

Page: 1 of 1

Date: 8 July 08

Revision: 00

**SUBJECT:** Intermittent Fuse Assembly Failure on RVV 500

**MODELS:** RVV NG 500

Number of  
People  
Required



KIT NUMBER	KIT DESCRIPTION
N/A	N/A

**TOOLS REQUIRED:** None required

**ESTIMATED INSTALLATION TIME:** <1 minute



The following areas of this vender contain voltage which can cause serious injury or even death: the main power cord, supplying 115-230 VAC to the evaporator, EMI filter, and refrigeration system; the power line from the EMI filter to the ballast and transformer; and the ballast, which can produce upwards of 600 volts. Remove power from vender before working in any of these areas.

**REASON FOR BULLETIN:** Due to a faulty spring in the bayonet-style fuse assembly, a limited amount of RVV NG 500 venders may experience intermittent power failures. This spring has been modified to prevent this type of failure from occurring in the future. This issue is believed to pertain to a small number of venders built during April 2008.

**IDENTIFICATION:** Venders in serial number ranges 200814 to 200818 with faulty fuse assemblies could experience intermittent power failures. The vender may work correctly, then suddenly lose power, and all components will shut down. Simply touching the fuse assembly may restore the connection and power will once again be supplied to the vender.

**SOLUTION:** Upon identification of a faulty fuse assembly, please call Royal Vendors' Service Parts Department toll-free at 1 800 931 9214 to order a new fuse assembly (see below for part numbers). When calling, please supply the complete vender serial number for warranty replacement. (Outside North America, dial +1 304 728 7056.)

*Bayonet-style fuse assembly*



Fuse knob

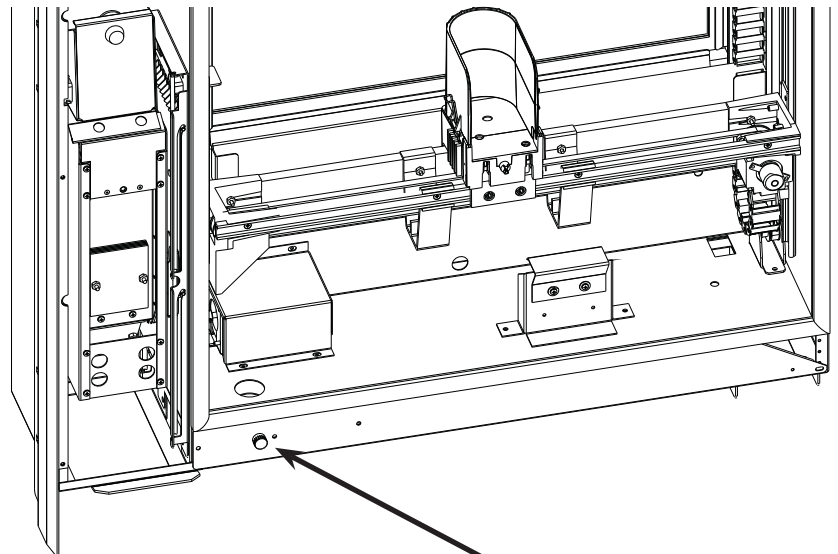
It is not necessary to replace the entire fuse assembly. Replacing the existing fuse assembly knob with the one from the new fuse assembly is sufficient, since the spring is part of the knob. To remove the knob from the fuse assembly, unscrew the knob and pull straight out.

*Knob removed from fuse assembly*



**Royal fuse assembly part numbers:**

- 842531 RVV NG 115-volt fuse assembly
- 842566 RVV NG 230-volt fuse assembly



Location of the fuse assembly in the vender's door

In an effort to provide our customers with the latest information on our equipment, Royal Vendors sends service bulletins to customers using the original ship-to address or e-mail addresses, if supplied by our customers. We also post all service bulletins on our website at www.royalvendors.com. If for any reason a vender is moved to another location or is sold to another customer other than to whom Royal Vendors originally sent the machine, it is the responsibility of the original purchaser of the vender to notify the appropriate personnel of the service bulletin.

**ANY QUESTIONS? CONTACT ROYAL VENDORS' CUSTOMER SERVICE DEPARTMENT  
IN NORTH AMERICA, CALL TOLL FREE 1 800 931 9214**