



SERVICE BULLETIN 293

426 Industrial Boulevard • Kearneysville WV 25430-2776 • USA
 Telephone: +1 304 728 7056 • technicalinquiry@royalvenders.com
 Toll-free in North America: 1 800 931 9214 • Fax: +1 304 725 4016
 Canada: +1 905 738 5777 • Mexico: +52 55 5203 6887
 Europe: +49 2158 95 1000 • Australia: +61 2 9890 5433

Page: 1 of 2

Date: 30 May 08

Revision: 00

SUBJECT: Installation of the RVV 500 Coin Chute Support Kit

Number of
People
Required



MODELS: RVV NG 500

KIT NUMBER **KIT DESCRIPTION**

356142 Coin Chute Support Assembly RVV

TOOLS REQUIRED: Socket wrench with 11/32" (9 mm) and 7/16" (12 mm) sockets

ESTIMATED INSTALLATION TIME: 10 minutes

REASON FOR BULLETIN: The Coin Chute Support Assembly was designed to prevent vandalism to the coin chute on the RVV NG 500 model vender. This bulletin describes the procedure for installing this kit.



The following areas of this vender contain voltage which can cause serious injury or even death: the main power cord, supplying 115-230 VAC to the evaporator, EMI filter, and refrigeration system; the power line from the EMI filter to the ballast and transformer; and the ballast, which can produce upwards of 600 volts. Remove power from vender before working in any of these areas.

INSTALLATION INSTRUCTIONS:

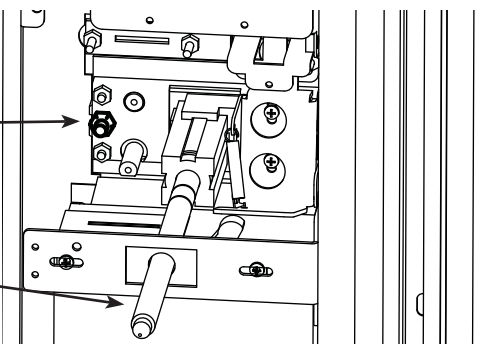
1. Remove power by unplugging the vender's main power cord from the AC voltage source (wall outlet).
2. Using a 7/16" (12 mm) socket, remove the left-side nut that secures the vender's T-handle brace. (Refer to Figure 1.)
3. Install the coin chute support as shown in Figure 2.
4. Secure the coin chute support to the T-handle housing with the nut that was removed in Step 2.
5. Install the coin chute retainer as shown in Figure 3.
6. Using an 11/32" (9 mm) socket, secure the coin chute retainer to the coin chute support with the two nuts from the kit.
7. Restore power by plugging the vender's main power cord into the AC voltage source (wall outlet).

Figure 1.

Note: The coin chute is removed in this illustration for clarity.

Remove this nut with a 7/16" (12 mm) socket.

T-handle stud



In an effort to provide our customers with the latest information on our equipment, Royal Vendors sends service bulletins to customers using the original ship-to address or e-mail addresses, if supplied by our customers. We also post all service bulletins on our website at www.royalvenders.com. If for any reason a vender is moved to another location or is sold to another customer other than to whom Royal Vendors originally sent the machine, it is the responsibility of the original purchaser of the vender to notify the appropriate personnel of the service bulletin.

**ANY QUESTIONS? CONTACT ROYAL VENDORS' CUSTOMER SERVICE DEPARTMENT
 IN NORTH AMERICA, CALL TOLL FREE 1 800 931 9214**



SERVICE BULLETIN 293

426 Industrial Boulevard • Kearneysville WV 25430-2776 • USA
Telephone: +1 304 728 7056 • technicalinquiry@royalvendors.com
Toll-free in North America: 1 800 931 9214 • Fax: +1 304 725 4016
Canada: +1 905 738 5777 • Mexico: +52 55 5203 6887
Europe: +49 2158 95 1000 • Australia: +61 2 9890 5433

Page: 2 of 2

Date: 30 May 08

Revision: 00

SUBJECT: Installation of the RVV 500 Coin Chute Support Kit

MODELS: RVV NG 500

Figure 2.

Install the coin chute support as shown. Then, secure it with the nut that was removed in Step 2. (Note: The coin chute is removed in this illustration for clarity.)

Coin chute support

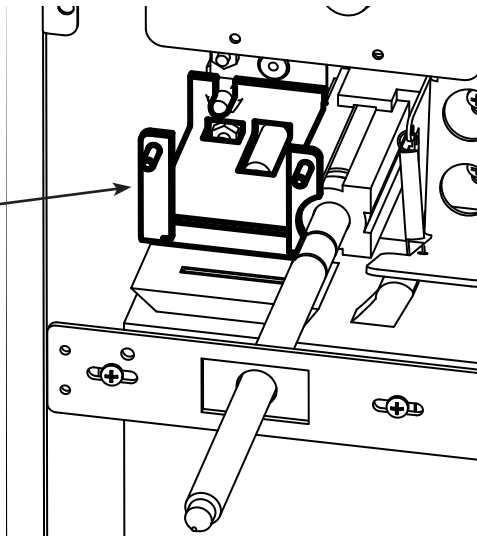


Figure 3.

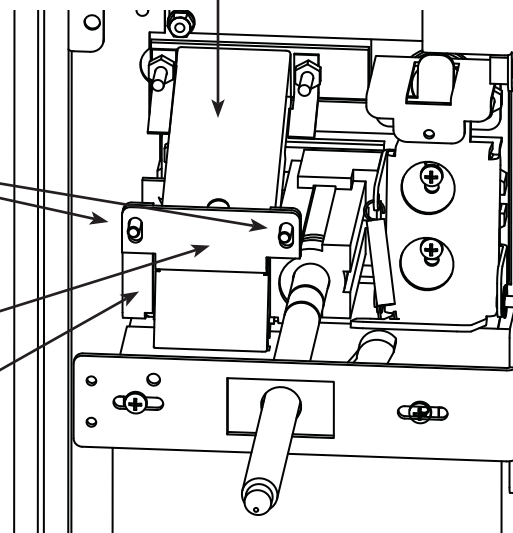
Once the coin chute support has been secured, install the coin chute retainer as shown. Secure it to the coin chute support with the two #8-32 Keps nuts from the kit, using an 11/32" (9 mm) socket.

Coin chute

Install Keps nuts on these two studs to secure the coin chute retainer.

Coin chute retainer

Coin chute support



**ANY QUESTIONS? CONTACT ROYAL VENDORS' CUSTOMER SERVICE DEPARTMENT
IN NORTH AMERICA, CALL TOLL FREE 1 800 931 9214**