



SERVICE BULLETIN 281

426 Industrial Boulevard • Kearneysville WV 25430-2776 • USA

Telephone: +1 304 728-7056 • Fax: +1 304 725-6579

Toll-Free in North America: 1 800 931-9214 • technicalinquiry@royalvendors.com

Page: 1 of 2

Date: 9 Jan 2007

Revision: 00

SUBJECT: Installation of the Bottom Door Stop Kit

MODELS: RVV NG KO (except Australia)

Number of
People
Required



KIT NUMBER

KIT DESCRIPTION

356940

Bottom Door Stop Kit RVV NG

TOOLS REQUIRED: 3/8" (10 mm) wrench, drill with 7/32" (6 mm) bit

ESTIMATED INSTALLATION TIME: <10 minutes

REASON FOR BULLETIN: The bottom door stop was designed as a replacement for the top door stop, which could damage vender fascia. The door stop allows the vender's door to open only a certain distance so that the vender's harnessing is not overstretched.



The following areas of this vender contain voltage which can cause serious injury or even death: the main power cord, supplying 115-230 VAC to the evaporator, EMI filter, and refrigeration system; the power line from the EMI filter to the ballast and transformer; and the ballast, which can produce upwards of 600 volts. Remove power from vender before working in any of these areas.

INSTALLATION INSTRUCTIONS:

Note: Before working on vender, always remove power by unplugging the vender's power cord from the AC voltage source (wall outlet).

1. Place the door stop bracket at the top right of the front of the bottom door hinge assembly, as shown in Figure 1. Mark the positions of the pre-drilled bracket holes.
2. Using a drill with a 7/32" (6 mm) bit, create two holes in the bottom door hinge assembly at the marked positions.
3. Using a 3/8" (10 mm) wrench, mount the bottom door stop bracket with the bolts provided in the kit, as shown in Figure 2.

In an effort to provide our customers with the latest information on our equipment, Royal Vendors sends service bulletins to customers using the original ship-to address or e-mail addresses, if supplied by our customers. We also post all service bulletins on our website at www.royalvendors.com. If for any reason a vender is moved to another location or is sold to another customer other than to whom Royal Vendors originally sent the machine, it is the responsibility of the original purchaser of the vender to notify the appropriate personnel of the service bulletin.

**ANY QUESTIONS??? CONTACT ROYAL VENDORS' CUSTOMER SERVICE DEPARTMENT
CALL TOLL FREE (800) 931-9214**



SERVICE BULLETIN 281

426 Industrial Boulevard • Kearneysville WV 25430-2776 • USA

Telephone: +1 304 728-7056 • Fax: +1 304 725-6579

Toll-Free in North America: 1 800 931-9214 • technicalinquiry@royalvendors.com

Page: 2 of 2

Date: 9 Jan 2007

Revision: 00

SUBJECT: Installation of the Bottom Door Stop Kit

MODELS: 356940

Figure 1 Place the top right corner of the door stop bracket at the right corner of the bottom door hinge assembly. Mark the positions for the holes to be drilled in the door hinge assembly, and drill the holes using a 7/32" (6 mm) bit.

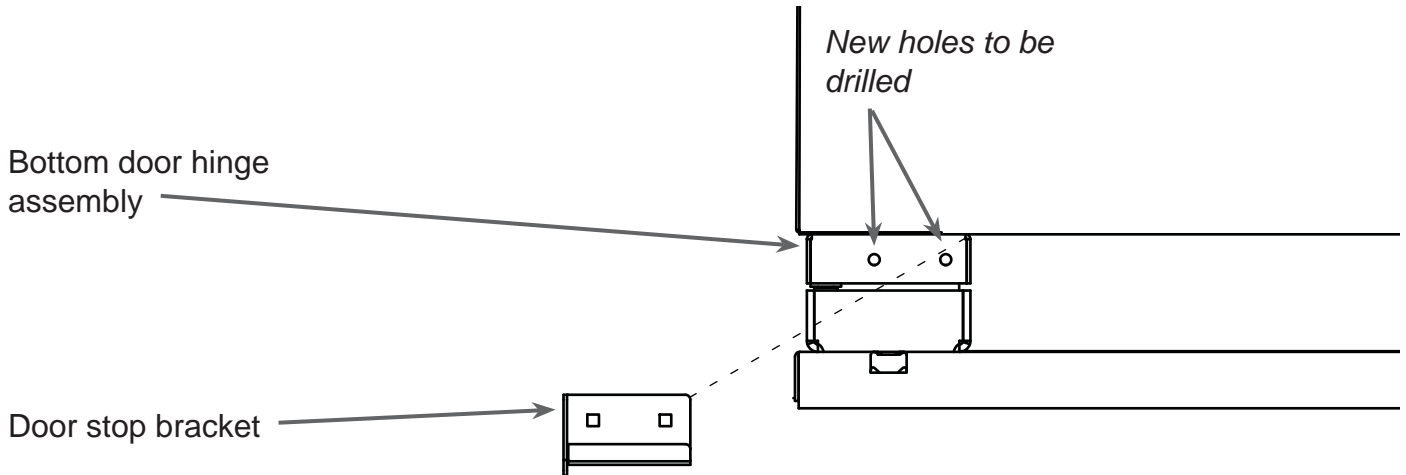
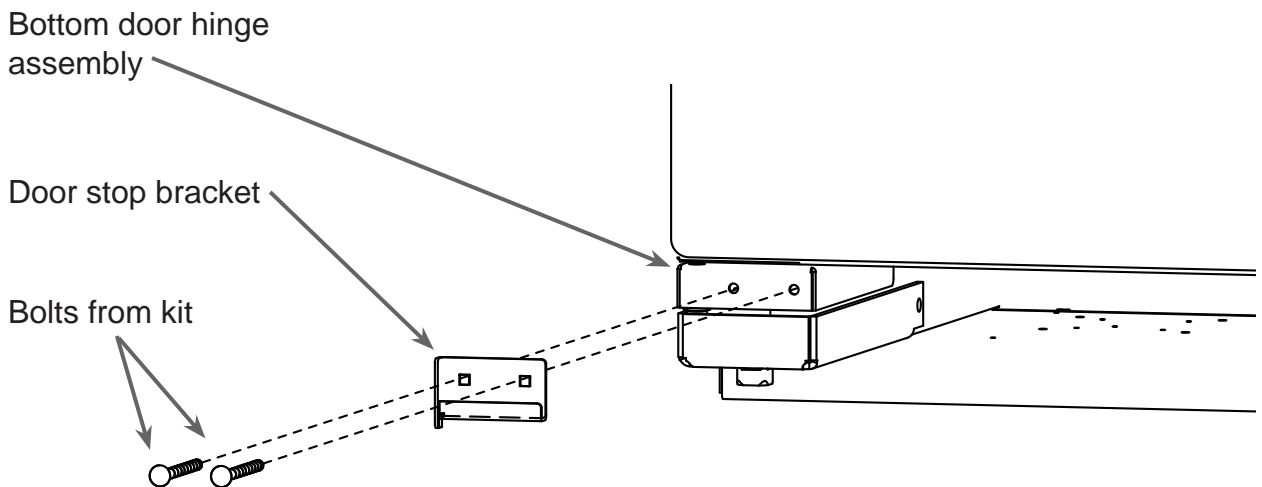


Figure 2 Mount the door stop bracket on the bottom door hinge assembly as shown, using the bolts provided in the kit. Tighten the bolts with a 3/8" (10 mm) wrench.



ANY QUESTIONS??? CONTACT ROYAL VENDORS' CUSTOMER SERVICE DEPARTMENT
CALL TOLL FREE (800) 931-9214