



# SERVICE BULLETIN # 00027

201 INDUSTRIAL BOULEVARD • KEARNEYSVILLE, WV 25430

Phone: (304) 728-7056 • Fax: (304) 725-6579 • Toll Free: (800) 931-9214

PAGE: 1 of 1

DATE: 8-16-00

REVISION: 02

**SUBJECT:** Can Shim / Can Spacer Installation for 6 oz. Cans (Narrow Columns)

**MODELS:** Double-Depth Electro-Mechanical, Merlin 2000, Merlin III

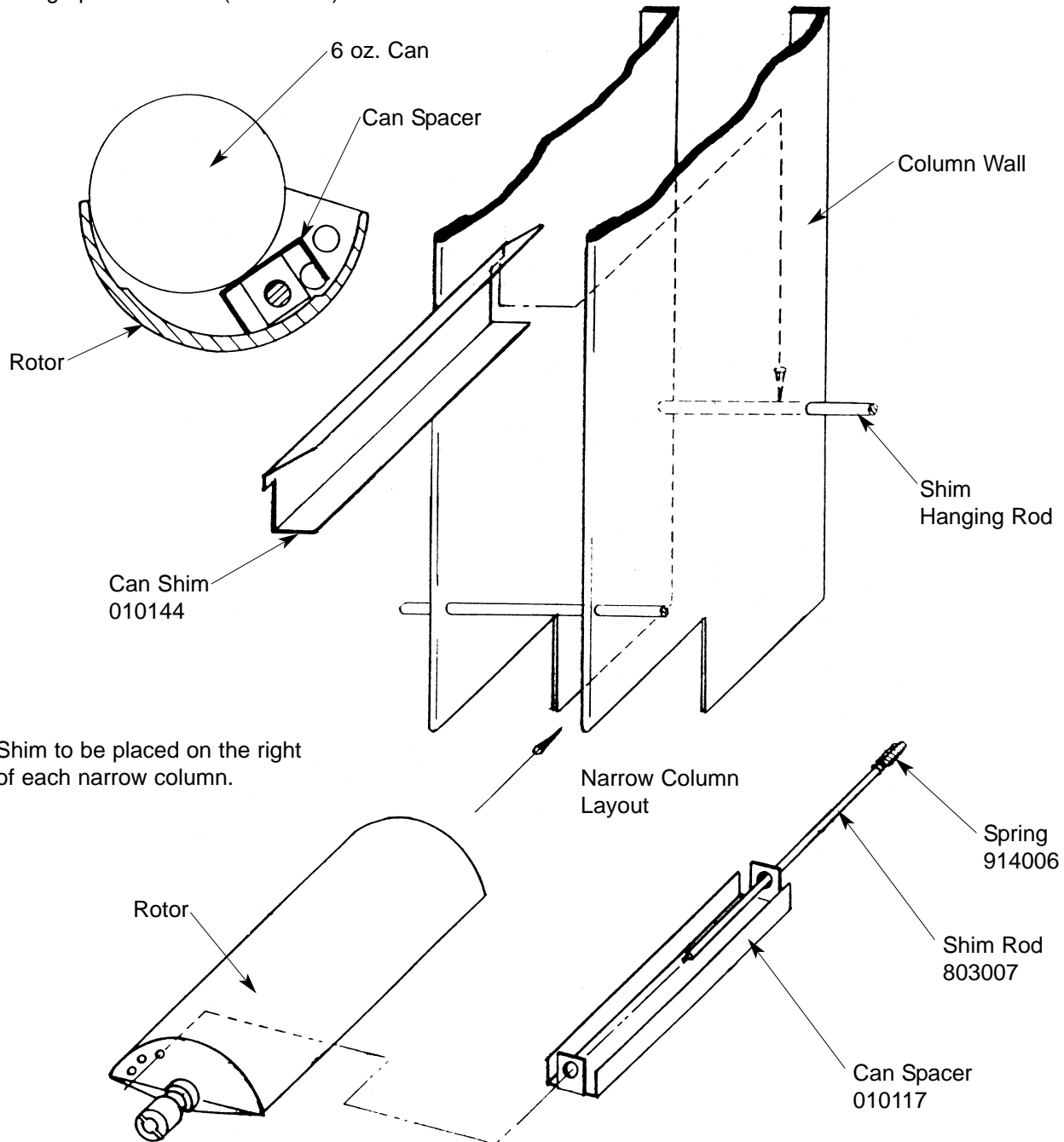
**KIT NUMBER**

**KIT DESCRIPTION**

010163

6 oz. Can Shim / Can Spacer Kit (1 Kit per Narrow column)

**BEFORE WORKING ON VENDER:** Remove power from vender by unplugging vender's main power cord from the AC voltage power source (wall outlet).



**ANY QUESTIONS??? CONTACT ROYAL VENDORS' CUSTOMER SERVICE DEPARTMENT  
CALL TOLL FREE (800) 931-9214**