



# SERVICE BULLETIN # 00275

426 INDUSTRIAL BOULEVARD • KEARNEYSVILLE WV 25430-2776 • USA  
Phone: (304) 728-7056 • Fax: (304) 725-6579 • Toll Free: (800) 931-9214

PAGE: 1 of 3  
DATE: 7-12-06  
REVISION: 00

**SUBJECT:** Installation of the RVV NG Spring Cover Kit

# of People  
Required



**MODELS:** RVV NG

**Kit Number**

**Kit Description**

356020

Spring Cover Kit RVV NG

**TOOLS REQUIRED:** Phillips screwdriver; 7/16", 11/32", and 3/8" sockets with long extension

**ESTIMATED INSTALLATION TIME:** 25 minutes

**REASON FOR BULLETIN:** The RVV NG Spring Cover Kit was developed to prevent the port slide springs from being ripped out during vandalism attempts. This bulletin describes the proper procedure for installing this kit.



The following areas of this vender contain voltage which can cause serious injury or even death: the main power cord, supplying 110 VAC to the evaporator, EMI filter, and refrigeration system; the power line from the EMI filter to the ballast and transformer; and the ballast, which can produce upwards of 600 volts. Remove power from vender before working in any of these areas.

## INSTALLATION INSTRUCTIONS:

1. Remove power to the vender by unplugging the vender's main power cord from the AC voltage source (wall outlet).
2. Open the vender's door, and remove the coin box.
3. Using a 7/16" wrench, remove the nuts on the three carriage bolts that secure the coin box housing in the vender's door. Remove the carriage bolts, and then remove the coin box housing. (See Figure 1.)
4. Using an 11/32" socket with long extension, remove the four nuts that secure the port box assembly. Two of these nuts are above the assembly; the other two are accessible about mid-way down the assembly by way of semi-circular cutouts in the adjacent brackets mounted on the vender's door. (See Figure 2.)
5. Disconnect the harness that goes to the detector board on the port box assembly.
6. *Venders with TriTeq locks:* Remove the battery backup jack, located in the top of the delivery bin.
7. Remove the port box assembly from the vender.
8. Disconnect the harness on the gate switch.
9. Using a 3/8" socket, remove the four nuts that secure the port door & slide assembly (two above and two below). (See Figure 3.)
10. Remove the port door & slide assembly from the vender.
11. Using the screws included in the kit, attach the left and right spring covers to the port slide assembly, as shown in Figure 4.
12. Reconnect the gate switch harness, and reinstall the port door & slide assembly in the vender's door by angling and inserting it.
13. Secure the port door & slide assembly in the vender with the four bolts that were removed in Step 9.
14. Reinstall the port box assembly in the vender's door. Ensure that the harnesses in the door are not caught behind the port box assembly, pinched, bound up, etc. Hold down the delivery door while installing the port box assembly.
15. Secure the port box assembly with the four nuts that were removed in Step 4.
16. Reconnect the harnesses to the detector board.
17. *Venders with TriTeq locks:* Reinstall the battery backup jack in the top of the port box assembly.
18. Reinstall the coin box housing. Secure it with the three carriage bolts and nuts that were removed in Step 3.
19. Reinstall the coin box.
20. Restore power to the vender by plugging the vender's power cord into the AC voltage source (wall outlet).

In an effort to provide our customers with the latest information on our equipment, Royal Vendors sends service bulletins to customers using the original ship-to address or e-mail addresses, if supplied by our customers. We also post all service bulletins on our website at [www.royalvendors.com](http://www.royalvendors.com). If for any reason a vender is moved to another location or is sold to another customer other than to whom Royal Vendors originally sent the machine, it is the responsibility of the original purchaser of the vender to notify the appropriate personnel of the service bulletin.

**ANY QUESTIONS??? CONTACT ROYAL VENDORS' CUSTOMER SERVICE DEPARTMENT  
CALL TOLL FREE (800) 931-9214**



# SERVICE BULLETIN # 00275

426 INDUSTRIAL BOULEVARD • KEARNEYSVILLE WV 25430-2776 • USA  
Phone: (304) 728-7056 • Fax: (304) 725-6579 • Toll Free: (800) 931-9214

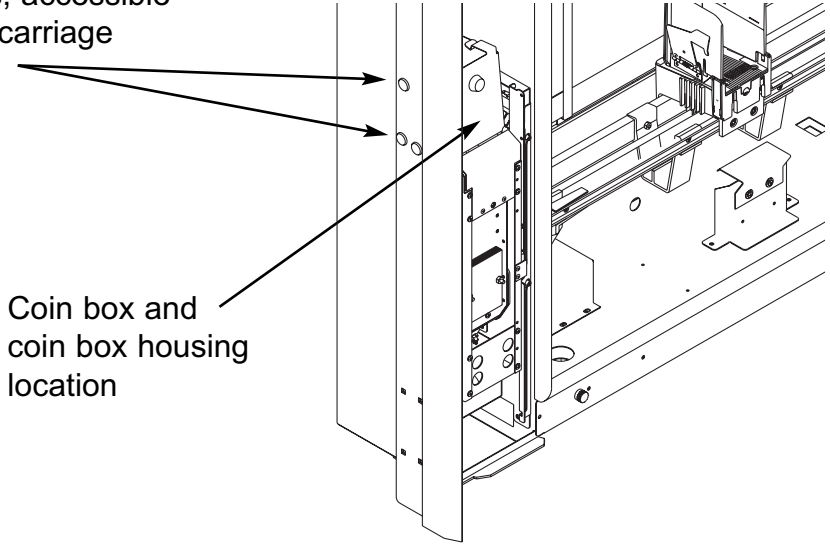
PAGE: 2 of 3  
DATE: 7-12-06  
REVISION: 00

**SUBJECT:** Installation of the RVV NG Spring Cover Kit

**MODELS:** RVV NG

## Figure 1

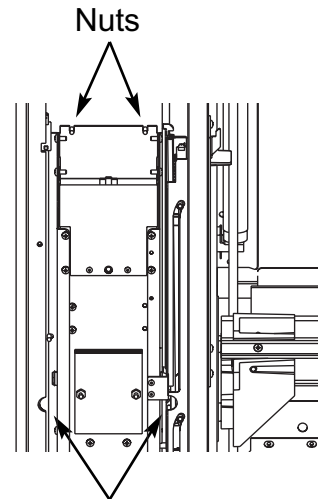
Remove the nuts on these carriage bolts, accessible from inside the door. Then, remove the carriage bolts and remove the coin box housing.



Coin box and coin box housing location

## Figure 2

Remove the four nuts that secure the port box housing assembly. A long socket extension will be required.



To reach the bottom nuts, use the access notches.

**ANY QUESTIONS??? CONTACT ROYAL VENDORS' CUSTOMER SERVICE DEPARTMENT  
CALL TOLL FREE (800) 931-9214**



# SERVICE BULLETIN # 00275

426 INDUSTRIAL BOULEVARD • KEARNEYSVILLE WV 25430-2776 • USA

Phone: (304) 728-7056 • Fax: (304) 725-6579 • Toll Free: (800) 931-9214

PAGE: 3 of 3

DATE: 7-12-06

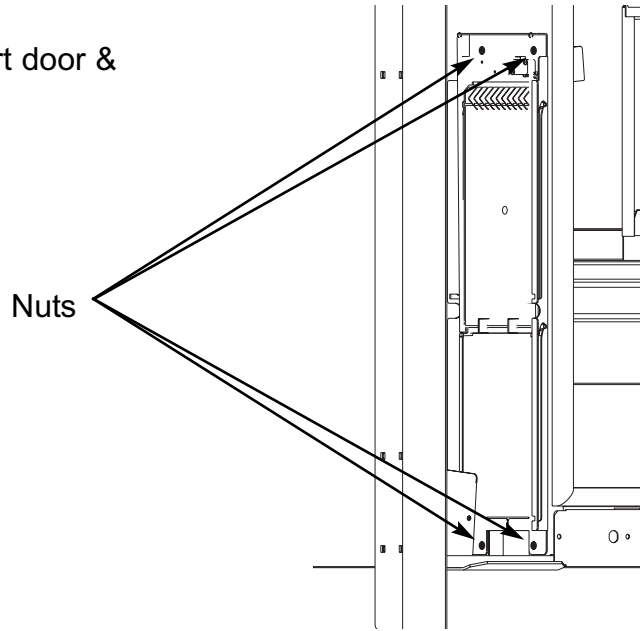
REVISION: 00

**SUBJECT:** Installation of the RVV NG Spring Cover Kit

**MODELS:** RVV NG

### Figure 3

Remove the four nuts that secure the port door & slide assembly.

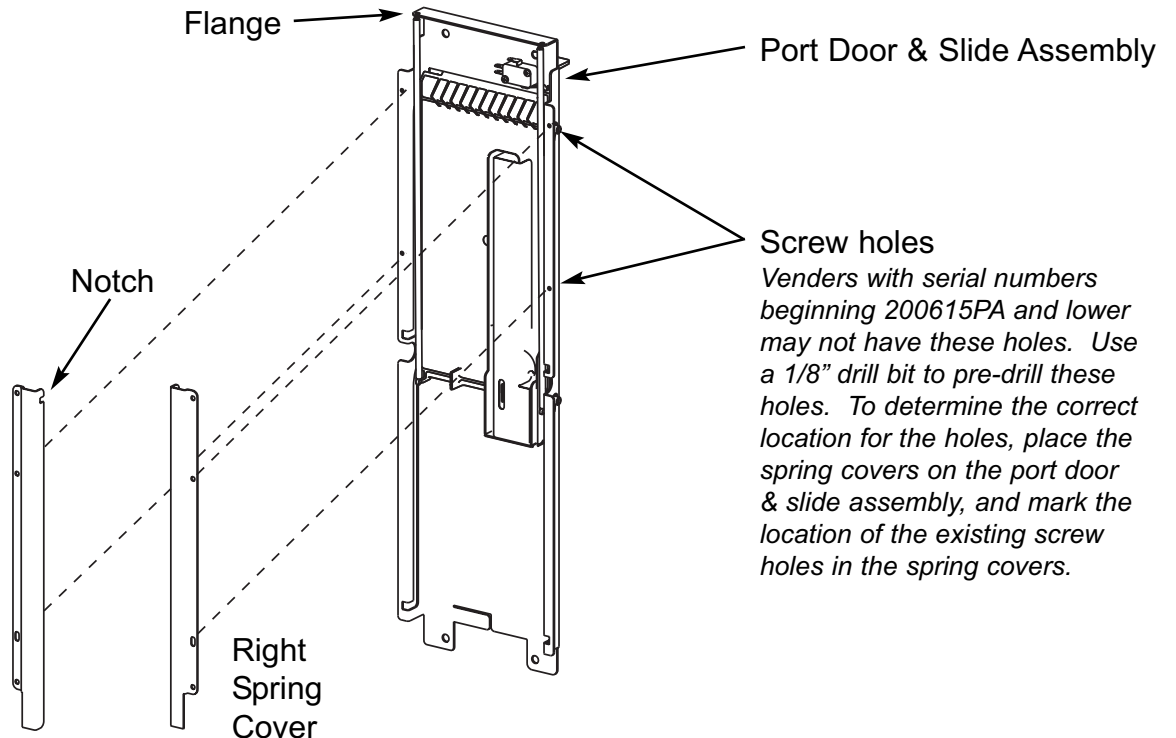


### Figure 4

Installation of the spring covers

The notch in the spring covers fits over the flange at the top of the port door & slide assembly.

Left Spring Cover



**ANY QUESTIONS??? CONTACT ROYAL VENDORS' CUSTOMER SERVICE DEPARTMENT  
CALL TOLL FREE (800) 931-9214**