



SERVICE BULLETIN 271

426 Industrial Boulevard • Kearneysville WV 25430-2776 • USA

Telephone: +1 304 728-7056 • Fax: +1 304 725-6579

Toll-Free in North America: 1 800 931-9214 • technicalinquiry@royalvendors.com

Page: 1 of 3

Date: 16 Jan 07

Revision: 01

SUBJECT: Merlin RB Lock Cover Kit Installation

MODELS: Merlin RB

Number of
People
Required



KIT NUMBER

KIT DESCRIPTION

354120

Merlin RB Lock Cover Kit

TOOLS REQUIRED: Utility knife, Phillips screwdriver, 11/32" nutdriver, 7/16" nutdriver

ESTIMATED INSTALLATION TIME: 10 minutes

REASON FOR BULLETIN: This bulletin describes the correct procedure for installing the Merlin RB Lock Cover Kit, which prevents vandals from drilling into the T-handle lock cylinder.



The following areas of this vender contain voltage which can cause serious injury or even death: the main power cord, supplying 115-230 VAC to the evaporator, EMI filter, and refrigeration system; the power line from the EMI filter to the ballast and transformer; and the ballast, which can produce upwards of 600 volts. Remove power from vender before working in any of these areas.

INSTALLATION INSTRUCTIONS:

1. Remove power by unplugging the vender's power cord from the AC voltage source (wall outlet).
2. Using a utility knife, cut the security plate decal straight across from both the top edge and the bottom edge of the T-handle, as shown in Figure 1.
3. Using a Phillips screwdriver, remove the two screws that secure the coin return assembly to the door. (Refer to Figure 2.) Remove the coin return assembly.
4. Disconnect the LED harness from the LED.
5. Pop the LED out of the brackets that hold it into place, and remove the LED from the vender.
6. Using an 11/32" (8 mm) nut driver, remove the two nuts that secure the coin chute assembly. (Refer to Figure 3.) Remove the coin chute assembly.
7. Using a 7/16" (11 mm) nut driver, remove the two nuts from the T-bolts that go through the T-handle housing. (Refer to Figure 4.)
8. Remove the two T-bolts that go through the T-handle housing.
9. Install the lock cover on the front of the door. Insert the two T-bolts removed in Step 8 through the lock cover, and secure them with the nuts that were removed in Step 7. Tighten the nuts. (Refer to Figure 5.)
10. Reinstall the coin chute assembly, securing it with the nuts that were removed in Step 6. Tighten the nuts.
11. Reinstall the LED by popping it into the brackets on the LED cover.
12. Reconnect the LED harness.
13. Reinstall the coin return assembly, securing it with the two screws that were removed in Step 3.
14. Restore power to the vender by plugging the vender's power cord into the AC power source (wall outlet).

In an effort to provide our customers with the latest information on our equipment, Royal Vendors sends service bulletins to customers using the original ship-to address or e-mail addresses, if supplied by our customers. We also post all service bulletins on our website at www.royalvendors.com. If for any reason a vender is moved to another location or is sold to another customer other than to whom Royal Vendors originally sent the machine, it is the responsibility of the original purchaser of the vender to notify the appropriate personnel of the service bulletin.

**ANY QUESTIONS??? CONTACT ROYAL VENDORS' CUSTOMER SERVICE DEPARTMENT
CALL TOLL FREE (800) 931-9214**



SERVICE BULLETIN 271

426 Industrial Boulevard • Kearneysville WV 25430-2776 • USA
Telephone: +1 304 728-7056 • Fax: +1 304 725-6579
Toll-Free in North America: 1 800 931-9214 • technicalinquiry@royalvendors.com

Page: 2 of 3

Date: 16 Jan 07

Revision: 01

SUBJECT: Merlin RB Lock Cover Kit Installation

MODELS: Merlin RB

Figure 1

Cut the security plate decal straight across from both the top and bottom edges of the T-handle, as shown in this photo by the black lines.

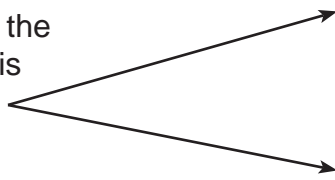


Figure 2

Remove the two screws that secure the coin return assembly, then remove the coin return assembly from the door.

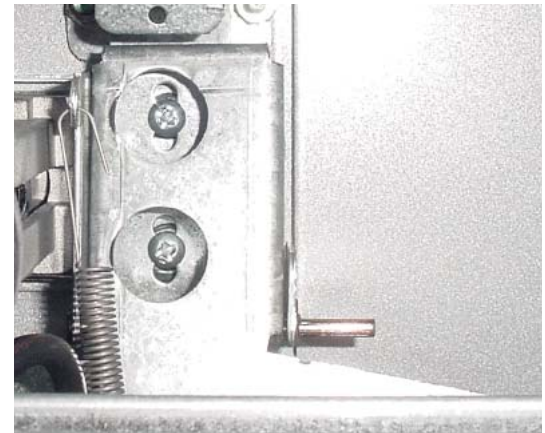


Figure 3

Pop the LED out of the brackets on the LED cover. Then, remove the two nuts that secure the coin chute assembly. Remove the coin chute assembly from the door.



These nuts secure the coin chute assembly.

ANY QUESTIONS??? CONTACT ROYAL VENDORS' CUSTOMER SERVICE DEPARTMENT
CALL TOLL FREE (800) 931-9214



SERVICE BULLETIN 271

426 Industrial Boulevard • Kearneysville WV 25430-2776 • USA

Telephone: +1 304 728-7056 • Fax: +1 304 725-6579

Toll-Free in North America: 1 800 931-9214 • technicalinquiry@royalvendors.com

Page: 3 of 3

Date: 16 Jan 07

Revision: 01

SUBJECT: Merlin RB Lock Cover Kit Installation

MODELS: Merlin RB

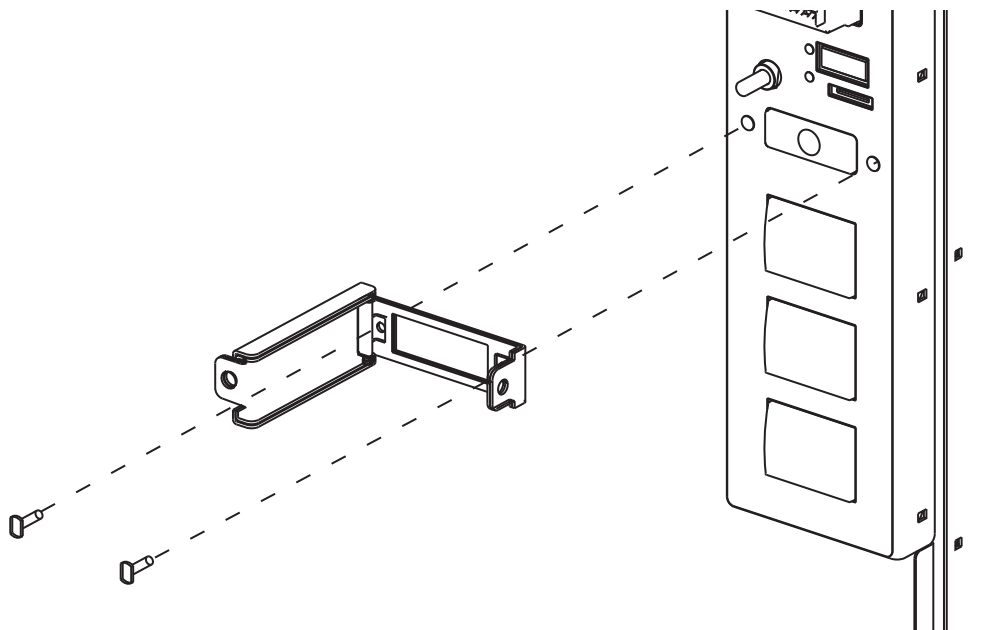
Figure 4

Remove the nuts on the two T-bolts that go through the T-handle housing.



Figure 5

To install the lock cover, insert the two T-bolts removed in Step 8 through the lock cover, then through the front of the door. Secure them with the nuts that were removed in Step 7.



**ANY QUESTIONS??? CONTACT ROYAL VENDORS' CUSTOMER SERVICE DEPARTMENT
CALL TOLL FREE (800) 931-9214**