



# Helpful Hints **0026**

*clear & easy*

201 INDUSTRIAL BOULEVARD • KEARNEYSVILLE, WV 25430  
Phone: (304) 728-7056 • Fax: (304) 725-6579 • Toll Free: (800) 931-9214

PAGE: 1 of 1
DATE: 10-22-01
REVISION: 00

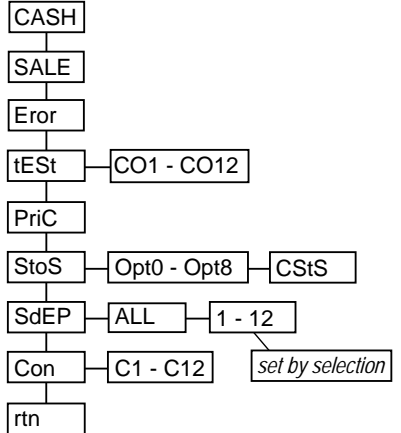
**SUBJECT:** New Merlin IV / Merlin TDV Internal (Service) Menu

**MODELS:** Merlin IV Venders Revision 67100-7 and Higher; Merlin TDV Revision 67160-4 and Higher

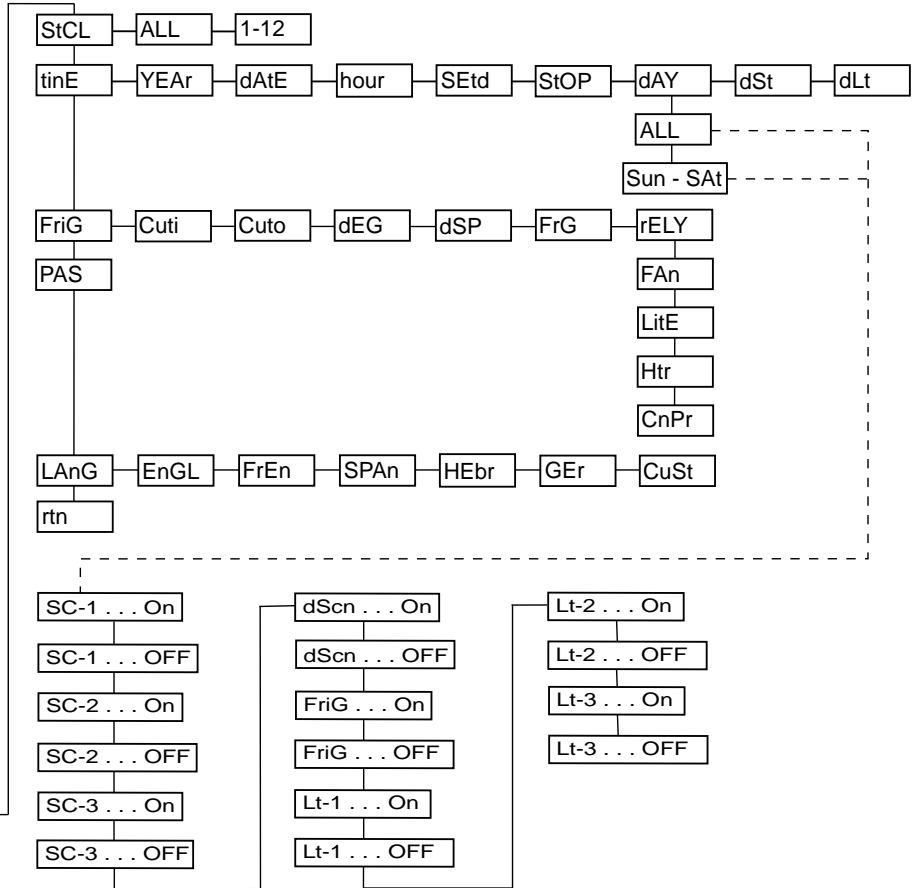
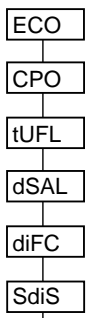
## INFORMATION:

The Internal (Service) Menu in Merlin IV venders and Triple-Depth Venders has changed. The Password Protected Menu has been eliminated and replaced with a new Optional Items Menu. The Optional Items Menu is accessed by setting Configuration 2 to "1." The new Internal (Service) Menu is as follows:

### INTERNAL (SERVICE) MENU



### OPTIONAL MENU ITEMS (C2 set to "1")



**ANY QUESTIONS???** CONTACT ROYAL VENDORS' CUSTOMER SERVICE DEPARTMENT  
CALL TOLL FREE (800) 931-9214