



SERVICE BULLETIN # 00265

426 INDUSTRIAL BOULEVARD • KEARNEYSVILLE WV 25430-2776 • USA
Phone: +1 304 728-7056 • Fax: +1 304 725-6579 • Toll Free: 800 931-9214

PAGE: 1 of 3

DATE: 8-30-05

REVISION: 00

SUBJECT: Installation of the RVV Inner Door Seal Kit

of People
Required



MODELS: RVV

Kit Number

Kit Description

337031

RVV Inner Door Seal Kit



The following areas of this vender contain voltage which can cause serious injury or even death: the main power cord, supplying 110 VAC to the evaporator, EMI filter, and refrigeration system; the power line from the EMI filter to the ballast and transformer; and the ballast, which can produce upwards of 600 volts. Remove power from vender before working in any of these areas.

TOOLS REQUIRED: Phillips screwdriver, 3/8" wrench

ESTIMATED INSTALLATION TIME: 5 minutes

REASON FOR BULLETIN: Some Royal Vision Venders (RVV) may have air leaks which will cause freezing in and around the evaporator area. This bulletin describes the proper procedure for sealing these areas.

KIT INSTRUCTIONS:

1. Remove power from the vender by unplugging the vender's main power cord from the AC voltage source (wall outlet).
2. Using a 3/8" wrench, remove the two bolts that secure the inner door assembly. (Refer to Figure 1.) Remove the inner door assembly from the vender.
3. Using a Phillips screwdriver, remove the mullion cover. (Refer to Figure 2 for mullion cover location.)
4. Using a Phillips screwdriver, unscrew the four screws which secure the inner door channel plate. (Refer to Figure 2 for plate location.) Remove this plate.
5. Remove any styrofoam insulation that may be present in the mullion area. (Refer to Figure 3.)
6. Fold the 24" bar of Permagem (from the kit) in half, then fold in half again (so that when completely folded, it looks like four 6" pieces side by side). Wedge this Permagem into the hole created by the removal of the styrofoam. (Refer to Figure 4.)
7. Reinstall the inner door channel plate.
8. Reinstall the mullion cover.
9. Remove the paper tape from the back of the foam tape (in the kit). Apply it to the areas shown in Figure 5.
10. Reinstall the inner door assembly, being careful not to push out the foam tape that was applied.

PROGRAMMING INSTRUCTIONS:

In the vender's programming, enter into "Set Refrigeration" and go to "X Hrs till Defrost." Press <enter>; the "X" will begin to flash. Use <up> or <down> to change "X" to 3. Once set, press <enter> to save this setting.

NOTES:

1. Ensure that the rubber grommet is applied around the vender's T-handle stud. (Refer to Figure 6.) The grommet should be positioned far enough out on the T-handle stud so that when the inner door is closed, the grommet is against the inner door. (This rubber grommet is not included in the kit. It can be ordered separately. Use part number 915258 when ordering.)
2. Ensure that the port sliding door assembly slides all the way up to close completely.

In an effort to provide our customers with the latest information on our equipment, Royal Vendors sends service bulletins to customers using the original ship-to address or e-mail addresses, if supplied by our customers. We also post all service bulletins on our website at www.royalvendors.com. If for any reason a vender is moved to another location or is sold to another customer other than to whom Royal Vendors originally sent the machine, it is the responsibility of the original purchaser of the vender to notify the appropriate personnel of the service bulletin.

**ANY QUESTIONS??? CONTACT ROYAL VENDORS' CUSTOMER SERVICE DEPARTMENT
CALL TOLL FREE (800) 931-9214**



SERVICE BULLETIN # 00265

426 INDUSTRIAL BOULEVARD • KEARNEYSVILLE WV 25430-2776 • USA
Phone: +1 304 728-7056 • Fax: +1 304 725-6579 • Toll Free: 800 931-9214

PAGE: 2 of 3

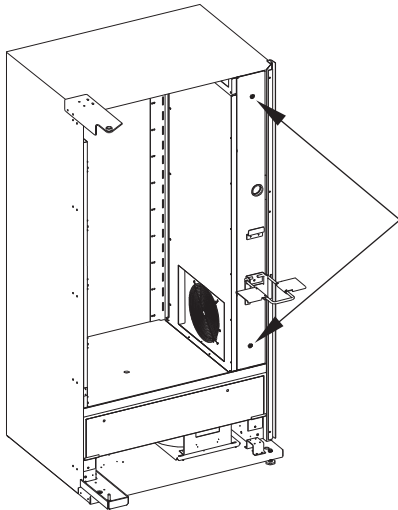
DATE: 8-30-05

REVISION: 00

SUBJECT: Installation of the RVV Inner Door Seal Kit

MODELS: RVV

Figure 1



Remove these two bolts that secure the inner door assembly.

Figure 2

Lower refrigeration area shown, with inner door assembly removed.



Bottom inner door channel plate
Mullion cover

Figure 3



Remove any styrofoam (white) that may be present in the mullion area.

Figure 4



Fold the Permagum in half twice. Then, wedge this Permagum into the hole as shown.

**ANY QUESTIONS??? CONTACT ROYAL VENDORS' CUSTOMER SERVICE DEPARTMENT
CALL TOLL FREE (800) 931-9214**



SERVICE BULLETIN # 00265

426 INDUSTRIAL BOULEVARD • KEARNEYSVILLE WV 25430-2776 • USA
Phone: +1 304 728-7056 • Fax: +1 304 725-6579 • Toll Free: 800 931-9214

PAGE: 3 of 3

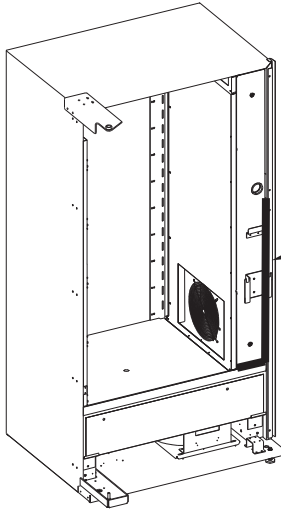
DATE: 8-30-05

REVISION: 00

SUBJECT: Installation of the RVV Inner Door Seal Kit

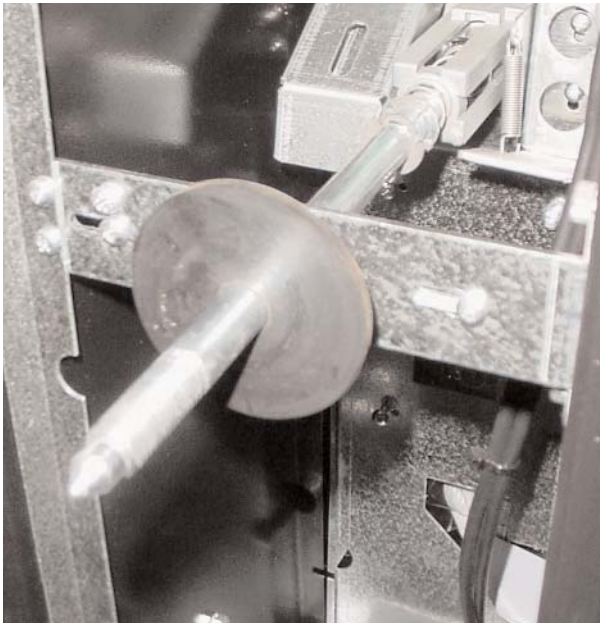
MODELS: RVV

Figure 5



Apply foam tape along the area shown here by the dark black line. Start along the bottom, all the way to the left. Then, go up the right side as far as the full length of the foam tape supplied in the kit.

Figure 6



Ensure that the rubber grommet is applied around the T-handle stud. The grommet should be positioned far enough out on the T-handle stud so that when the inner door is closed, the grommet is against the inner door.

ANY QUESTIONS??? CONTACT ROYAL VENDORS' CUSTOMER SERVICE DEPARTMENT
CALL TOLL FREE (800) 931-9214