



SERVICE BULLETIN # 00264

426 INDUSTRIAL BOULEVARD • KEARNEYSVILLE WV 25430-2776 • USA
Phone: +1 304 728-7056 • Fax: +1 304 725-6579 • Toll Free: 800 931-9214

PAGE: 1 of 1

DATE: 4-28-05

REVISION: 00

SUBJECT: Misaligned Cell Setup Decals

MODELS: RVV

of People
Required



Kit Number	Kit Description
N/A	N/A

TOOLS REQUIRED: None

ESTIMATED INSTALLATION TIME: <1 minute



The following areas of this vender contain voltage which can cause serious injury or even death: the main power cord, supplying 110 VAC to the evaporator, EMI filter, and refrigeration system; the power line from the EMI filter to the ballast and transformer; and the ballast, which can produce upwards of 600 volts. Remove power from vender before working in any of these areas.

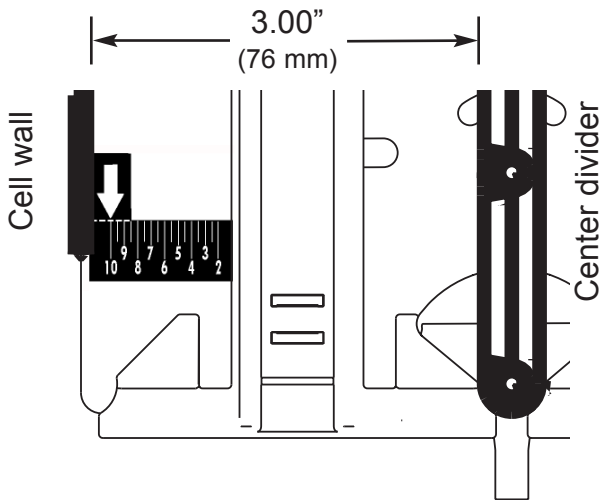
REASON FOR BULLETIN: On a limited number of RVV's, the cell setup decal may be misaligned. Misaligned decals will cause incorrect cell settings for individual products, resulting in vending errors.

INSTRUCTIONS:

1. On the bottom of the cell, loosen the wing nut for the column that is to be corrected.
2. Using a tape measure or ruler, adjust the cell wall so that it is 3.00" (76 mm) from the inside edge of the cell wall to the center divider. Measure this distance in the bottom of the cell. Tighten the wing nut.
3. Press the adjustment strap locker lever, and adjust the top part of the cell wall so that it is 3.00" (76 mm) from the inside edge of the cell wall to the center support. Measure this distance in the top of the cell. Release the strap locker lever.
4. **For the bottom decal:** The arrow decal should be all the way against the cell wall. (See Figure 1.) The arrow should point exactly to position 10, as shown in Figure 1. Correct as necessary.
5. **For the top decal:** The numerical positioning decal should be all the way to the edge of the metal bracket to which it is affixed. (See Figure 2.) Once it is in place, the arrow decal should point exactly to position 10, as shown in Figure 2. Correct as necessary.

Figure 1

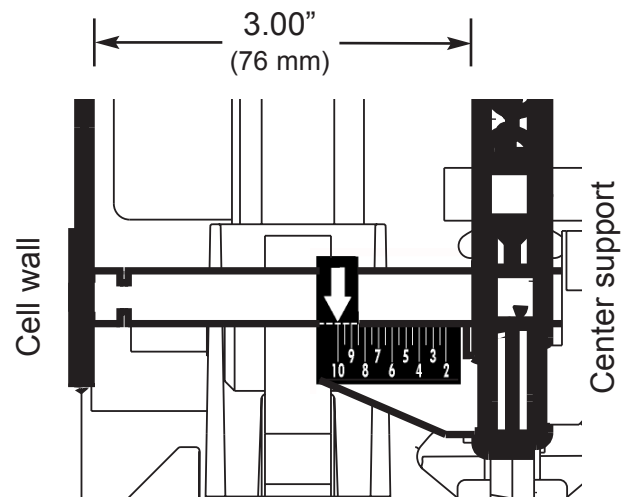
Bottom decal placement



The arrow decal should be all the way against the cell wall. Position the numerical positioning decal so that the arrow points to position 10, as shown.

Figure 2

Top decal placement



The numerical positioning decal should be all the way to the edge of the metal bracket. The arrow decal should point exactly to position 10, as shown.

In an effort to provide our customers with the latest information on our equipment, Royal Vendors sends service bulletins to customers using the original ship-to address or e-mail addresses, if supplied by our customers. We also post all service bulletins on our website at www.royalvendors.com. If for any reason a vender is moved to another location or is sold to another customer other than to whom Royal Vendors originally sent the machine, it is the responsibility of the original purchaser of the vender to notify the appropriate personnel of the service bulletin.

**ANY QUESTIONS??? CONTACT ROYAL VENDORS' CUSTOMER SERVICE DEPARTMENT
CALL TOLL FREE (800) 931-9214**