




SERVICE BULLETIN # 00254

426 INDUSTRIAL BOULEVARD • KEARNEYSVILLE WV 25430-2776 • USA
 Phone: (304) 728-7056 • Fax: (304) 725-6579 • Toll Free: (800) 931-9214

PAGE: 1 of 1
DATE: 10-4-04
REVISION: 00

SUBJECT: Wall Spacer Kit Installation		# of People Required 
MODELS: RVV (<i>Serial number 200441MA00001 and after only</i>)		
Kit Number	Kit Description	
337111	Wall Spacer Kit	

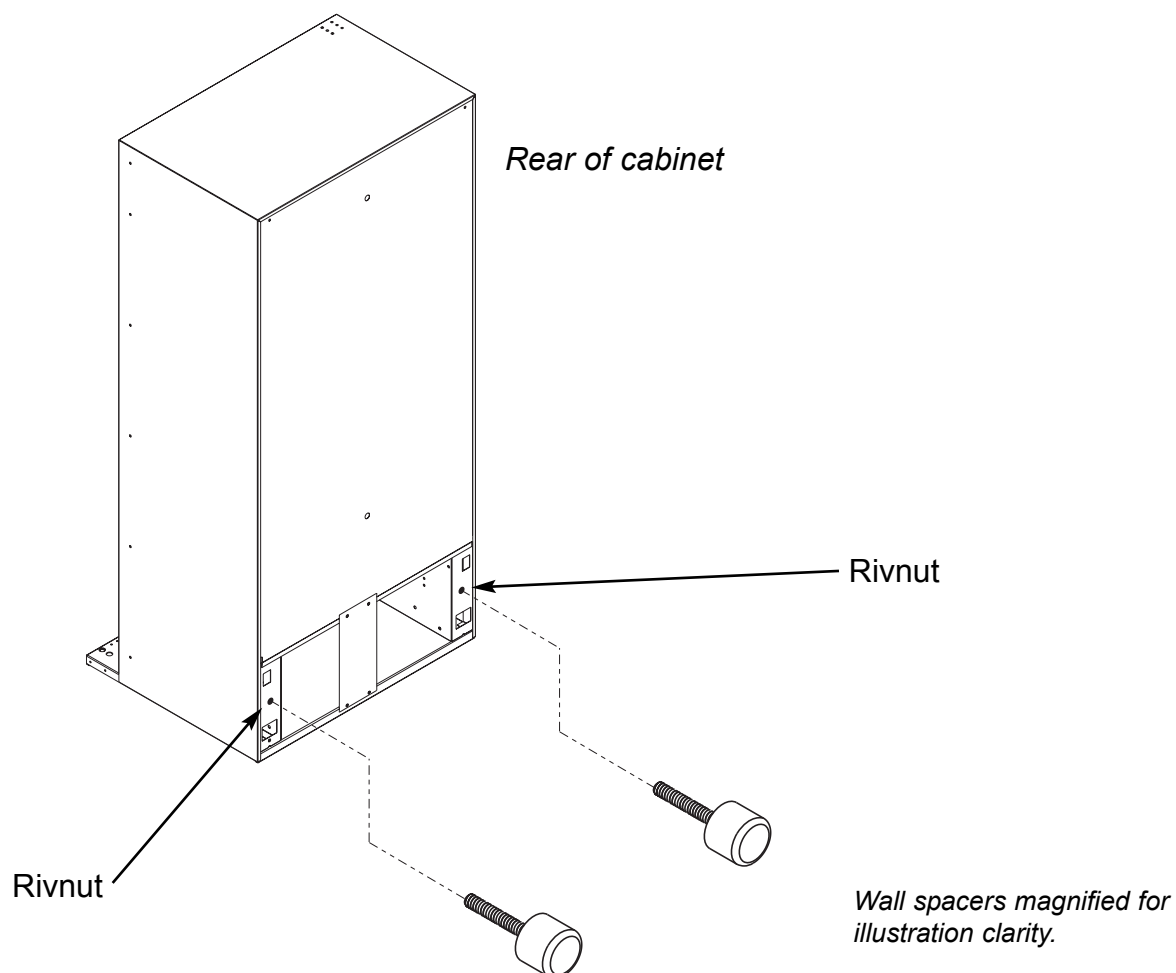
TOOLS REQUIRED: None

ESTIMATED INSTALLATION TIME: 1 minute

REASON FOR BULLETIN: The Wall Spacer Kit was designed to prevent the RVV from being pushed all the way against a wall, allowing for air flow to the rear of the refrigeration area. Without air circulation in this area, the vender's refrigeration unit cannot work properly.

INSTALLATION INSTRUCTIONS:

To install the wall spacer kit, screw one wall spacer into each rivnut hole in the back of the cabinet.



In an effort to provide our customers with the latest information on our equipment, Royal Vendors sends service bulletins to customers using the original ship-to address or e-mail addresses, if supplied by our customers. We also post all service bulletins on our website at www.royalvendors.com. If for any reason a vender is moved to another location or is sold to another customer other than to whom Royal Vendors originally sent the machine, it is the responsibility of the original purchaser of the vender to notify the appropriate personnel of the service bulletin.

**ANY QUESTIONS??? CONTACT ROYAL VENDORS' CUSTOMER SERVICE DEPARTMENT
 CALL TOLL FREE (800) 931-9214**