



Helpful Hints 0023

clear & easy

201 INDUSTRIAL BOULEVARD • KEARNEYSVILLE, WV 25430
Phone: (304) 728-7056 • Fax: (304) 725-6579 • Toll Free: (800) 931-9214

PAGE: 1 of 2
DATE: 6-18-02
REVISION: 02

SUBJECT: MIV Energy Conservation

MODELS: MIV



The following areas of this vender contain voltage, which can cause serious injury or even death. The main power cord, supplying 110 VAC to the evaporator, EMI filter, and refrigeration system. The power line from the EMI filter to the ballast and transformer. The ballast can produce upwards of 600 volts. Remove power from vender before working in any of these areas.

ENERGY CONSERVATION

REASON FOR HINT: Utilize features the MIV provides to reduce your costs and conserve energy.

INSTALL A LAMP RELAY KIT

CDC kit #161110 and Non-CDC kit #141160

- The use of this kit can potentially reduce the energy consumption (see example below)
- Installation instructions, and additional information provided in Service Bulletin #113 (this bulletin is included in the kit.) Using the lamp relay kit, you can program the vender(s) to shut off the lamps for desired periods.

Save additional energy by using an EVAPORATOR FAN RELAY KIT

(see example below)

Evaporator Fan Relay Kit can be used with serial number 1621 BM-00451 and above

Kit # 296050

- Installation instructions, and additional information provided in Service Bulletin #214 (this bulletin is included in the kit)
- Utilizing the factory installed refrigeration relay, along with the Evaporator Fan Relay Kit, you can program the refrigeration unit in your vender(s) to shut off for desired periods, when the vender is not being used. The evaporator fan relay kit can be used in conjunction to shut off the evaporator fan during this "time period", to prevent overheating.
- Set times you desire the refrigeration unit to turn on. Use the provided flowchart (on the next page) to navigate through the programming menus.
- Get into programming (go through pass)
- Go to the time mode
- Insure all time settings are correct

By utilizing the features and kits you will be on your way to using your MIV "efficiently"

THIS IS AN EXAMPLE of a vender operating in an environment of 72 deg. F to simulate an inside or an outside location reflecting an average annualized United States day/night operation.

Results-Simulate a cycle starting 5:00 PM Friday and ready to vend 7:15 AM Monday:

Weekend Storage Phases	Per Hour	Total for Period
Steady Operation-57 hours with compressor and evap fan off	.372 kWh/Hr	21.2 kWh Saved
Recovery to Ready to vend (5.2 hours)	(.192 kWh/Hr)	1.0 kWh Penalty
Total Savings for weekend (62.2 Hours)		20.2 kWh*

*Relative to vender running without the program

Lights are rated at 150 Watts for the set: When turned off, these save **9.4 kWh** for the same weekend.

Total savings for this sample weekend using both features is 29.6 kWh.

**ANY QUESTIONS??? CONTACT ROYAL VENDORS' CUSTOMER SERVICE DEPARTMENT
CALL TOLL FREE (800) 931-9214**



Helpful Hints **0023**

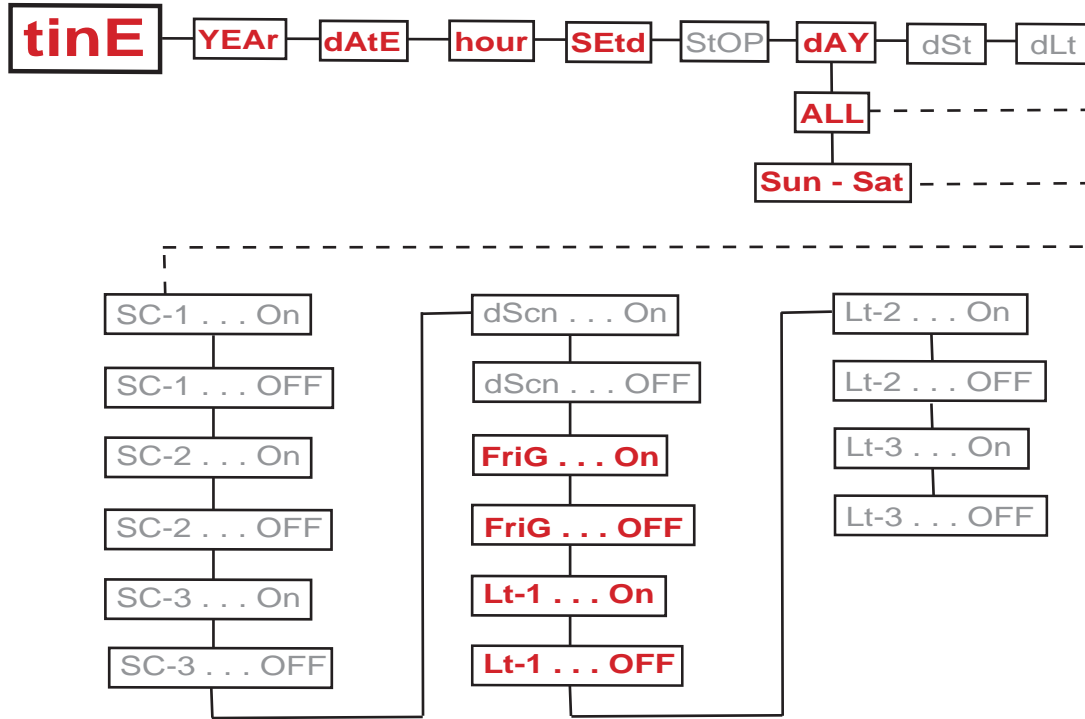
clear & easy

201 INDUSTRIAL BOULEVARD • KEARNEYSVILLE, WV 25430
Phone: (304) 728-7056 • Fax: (304) 725-6579 • Toll Free: (800) 931-9214

PAGE: 2 of 2
DATE: 6-18-02
REVISION: 02

SUBJECT: MIV Energy Conservation

MODELS: MIV



ANY QUESTIONS??? CONTACT ROYAL VENDORS' CUSTOMER SERVICE DEPARTMENT
CALL TOLL FREE (800) 931-9214