



SERVICE BULLETIN # 00235

201 INDUSTRIAL BOULEVARD • KEARNEYSVILLE, WV 25430

Phone: (304) 728-7056 • Fax: (304) 725-6579 • Toll Free: (800) 931-9214

PAGE: 1 of 3

DATE: 4-1-03

REVISION: 00

SUBJECT: Installation of the Port Vandal Guard Kit

MODELS: Marketing and Narrow-Port Landscape GIII's

of People
Required



Kit Number

Kit Description

231587

Vandal Guard Kit, Narrow Port, Landscape

291007

Vandal Guard Kit, CCR

TOOLS REQUIRED: 7/16" socket; Phillips screwdriver (for Landscape)

ESTIMATED INSTALLATION TIME: Landscape: 15 minutes; Marketing: 5 minutes

Reason for Kit: This kit is designed to prevent vandalism of the vender by reaching in through the port area.

Narrow-Port Landscape:

1. Remove the two screws that hold the coin cup in place. Remove the coin cup.
2. Remove the existing carriage bolts that hold the anti-theft plate and package stop. **(See Figure 1.)**
3. Remove the anti-theft plate and the package stop from the vender.
4. Install the new anti-theft plate from the kit. Start the carriage bolts, but do not tighten them.
5. Once the anti-theft plate has been installed loosely in the port, install the package stop from the kit. Make sure the tabs on the package stop are inserted into the slots on the anti-theft plate. **(See Figure 2.)**
6. Install the carriage bolts to secure the new package stop and anti-theft plate. Tighten the carriage bolts.
7. Reinstall the coin cup, securing it with the two screws that originally held it in place.

Marketing Vender:

1. Remove the two carriage bolts that hold each side of the port trim in place. **(See Figure 3.)**
2. Insert the new Vandal Guard, ensuring that the metal break is facing down.
3. Insert the carriage bolts through the holes on either side of the Vandal Guard. Tighten the carriage bolts to secure the Vandal Guard. **(See Figure 4.)**

**ANY QUESTIONS??? CONTACT ROYAL VENDORS' CUSTOMER SERVICE DEPARTMENT
CALL TOLL FREE (800) 931-9214**



SERVICE BULLETIN # 00235

201 INDUSTRIAL BOULEVARD • KEARNEYSVILLE, WV 25430
Phone: (304) 728-7056 • Fax: (304) 725-6579 • Toll Free: (800) 931-9214

PAGE: 2 of 3

DATE: 4-1-03

REVISION: 00

SUBJECT: Installation of the Port Vandal Guard Kit

MODELS: Marketing and Narrow-Port Landscape Gill's

Figure 1

Rear view of Landscape narrow port

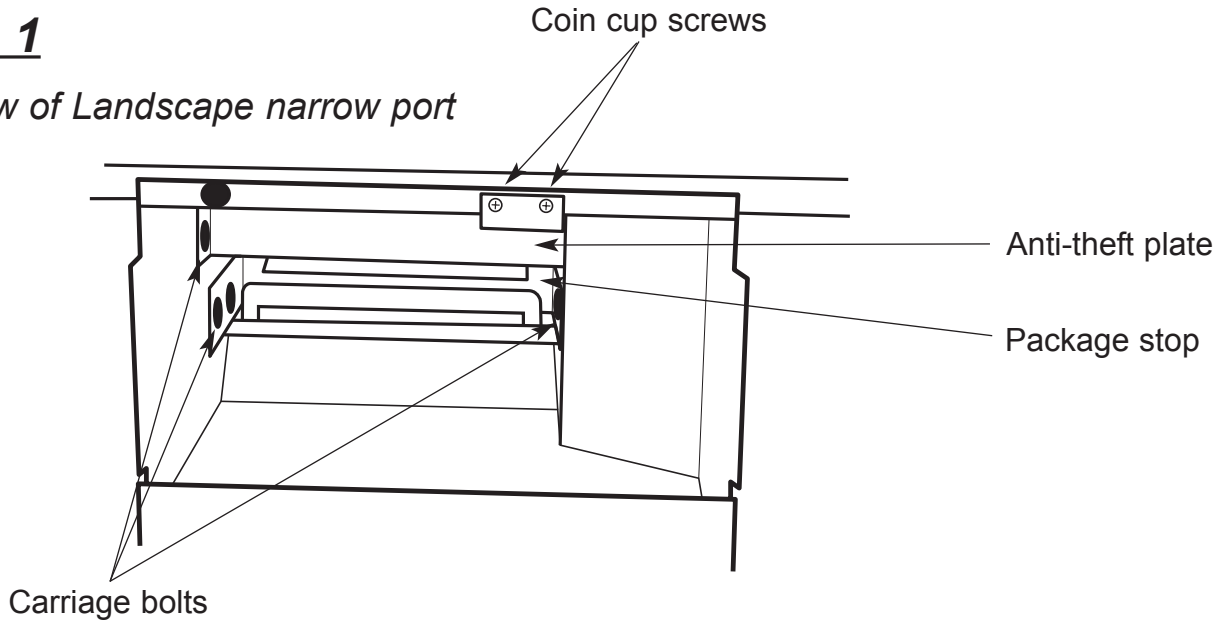
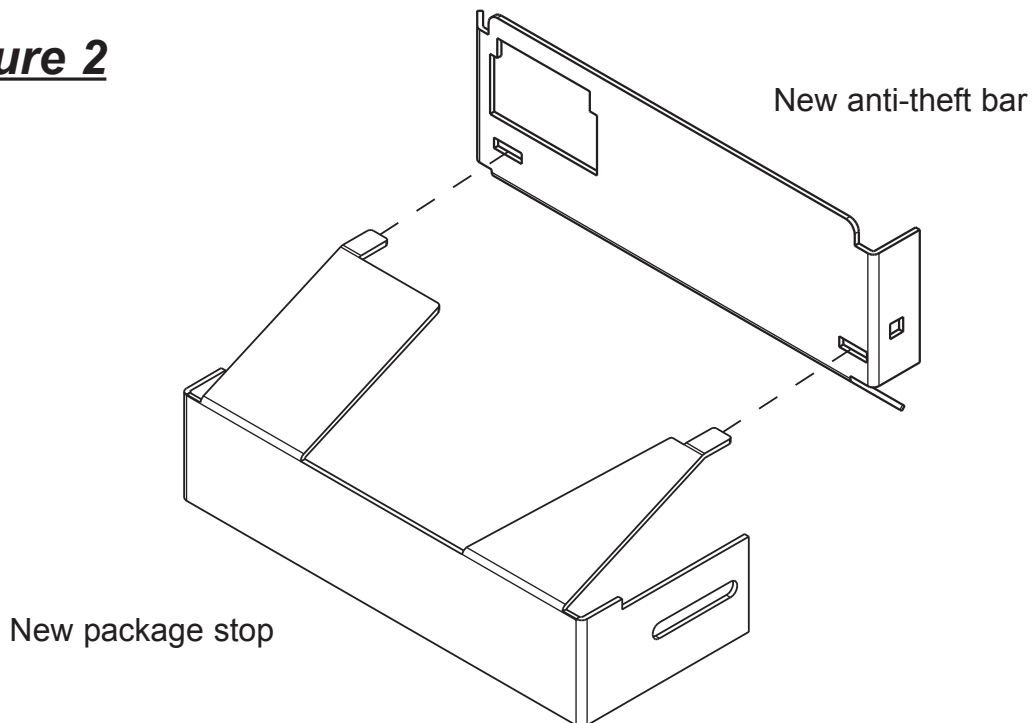


Figure 2



**ANY QUESTIONS??? CONTACT ROYAL VENDORS' CUSTOMER SERVICE DEPARTMENT
CALL TOLL FREE (800) 931-9214**



SERVICE BULLETIN # 00235

201 INDUSTRIAL BOULEVARD • KEARNEYSVILLE, WV 25430
Phone: (304) 728-7056 • Fax: (304) 725-6579 • Toll Free: (800) 931-9214

PAGE: 3 of 3

DATE: 4-1-03

REVISION: 00

SUBJECT: Installation of the Port Vandal Guard Kit

MODELS: Marketing and Narrow-Port Landscape Gill's

Figure 3

Front view of Marketing port

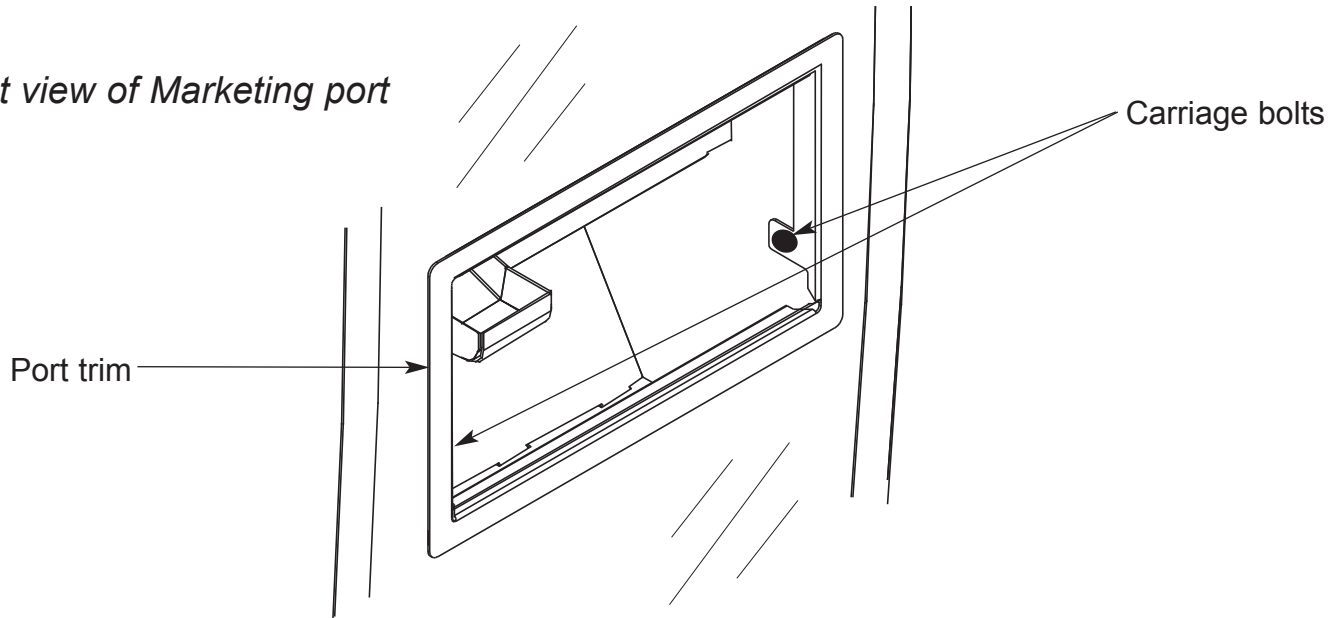
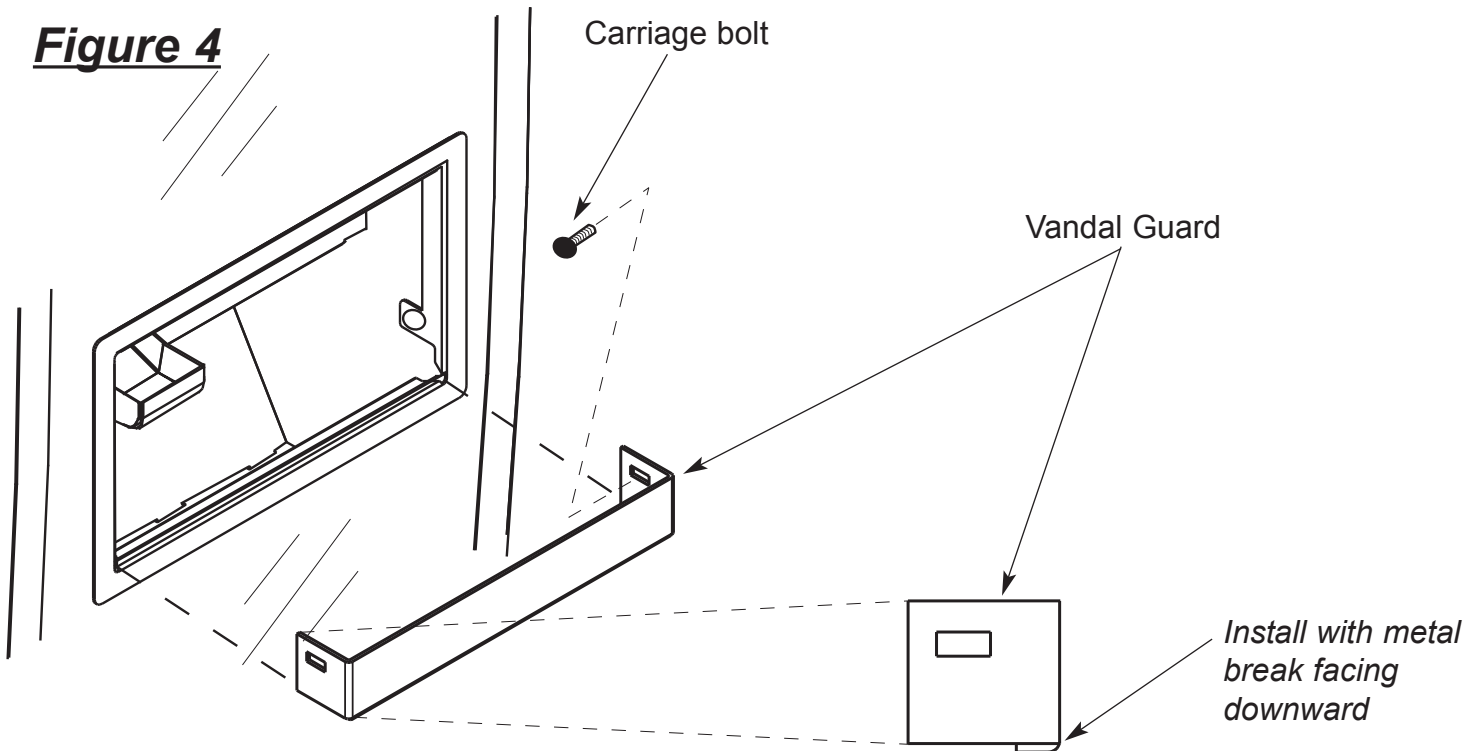


Figure 4



**ANY QUESTIONS??? CONTACT ROYAL VENDORS' CUSTOMER SERVICE DEPARTMENT
CALL TOLL FREE (800) 931-9214**