



SERVICE BULLETIN 234

426 Industrial Boulevard • Kearneysville WV 25430-2776 • USA

Telephone: +1 304 728 7056 • Fax: +1 304 725 4016

Toll-Free in North America: 1 800 931 9214 • technicalinquiry@royalvendors.com

Page: 1 of 5

Date: 11 Jan 08

Revision: 02

SUBJECT: Universal Caster Kit Installation

MODELS: All venders

Number of
People
Required



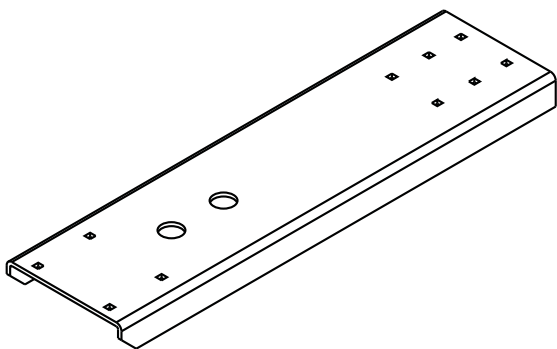
KIT NUMBER **KIT DESCRIPTION**

201185 Universal Caster Kit

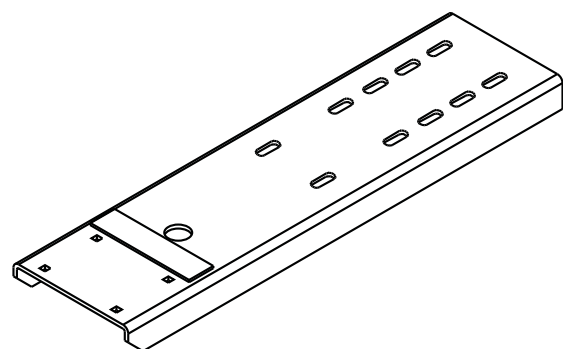
TOOLS REQUIRED: 1½" socket, 1/2" socket, 7/16" socket, forklift

ESTIMATED INSTALLATION TIME: 25 minutes

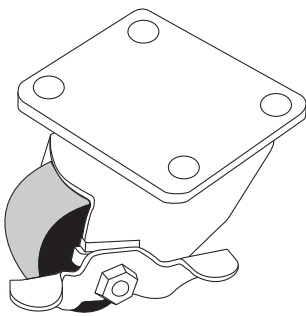
Parts list for assembly 201185 Universal Caster Kit:



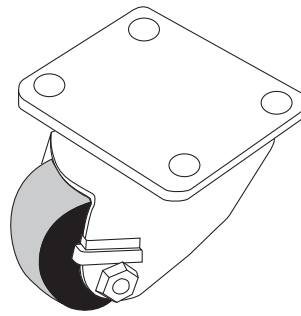
A. Outer caster arm (2)



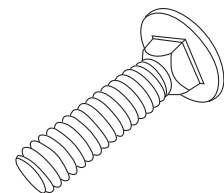
B. Inner caster arm (2)



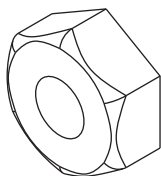
C. Swivel with brake (2)



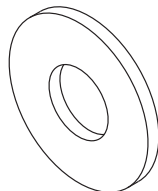
D. Swivel without brake (2)



E. Carriage bolt (24)



F. Keps nut (24)



G. Washer (24)



The following areas of this vender contain voltage which can cause serious injury or even death: the main power cord, supplying 115-230 VAC to the evaporator, EMI filter, and refrigeration system; the power line from the EMI filter to the ballast and transformer; and the ballast, which can produce upwards of 600 volts. Remove power from vender before working in any of these areas.

In an effort to provide our customers with the latest information on our equipment, Royal Vendors sends service bulletins to customers using the original ship-to address or e-mail addresses, if supplied by our customers. We also post all service bulletins on our website at www.royalvendors.com. If for any reason a vender is moved to another location or is sold to another customer other than to whom Royal Vendors originally sent the machine, it is the responsibility of the original purchaser of the vender to notify the appropriate personnel of the service bulletin.

**ANY QUESTIONS? CONTACT ROYAL VENDORS' CUSTOMER SERVICE DEPARTMENT
IN NORTH AMERICA, CALL TOLL FREE 1 800 931 9214**



SUBJECT: Universal Caster Kit Installation

MODELS: All venders

ASSEMBLY AND INSTALLATION INSTRUCTIONS:



WARNING DANGER OF ELECTRICAL SHOCK

Unplug the vender's main power cord from the power source before working on vender.

1. Attach casters to the caster kit frames as shown in Figure 1.
NOTE ON TIGHTENING KEPS NUTS: The Keps nuts are equipped with an integral toothed locking washer. Tighten the nut so that the locking washers are flattened. This will assure that the finished assembly is tight and fasteners are secured.
2. Attach the new assemblies to one another as shown in Figure 2. Make sure to use the correct holes for the type of vender the caster kit will be installed on. (To determine which holes to use, see Figure 4.)
3. Using a forklift, lift the vender to gain access to its levelling legs. **IMPORTANT NOTES:**
 - A. Always lift the vender from either the rear (preferred) or from the front. NEVER lift the vender from the side.
 - B. Ensure that the forks are **between** the levelling legs.
 - C. Before lifting the vender, tie the vender securely to the fork frame with a furniture strap.
 - D. When lifting the vender, ensure that it is slightly tilted toward the forklift.
4. Using a 1½" socket, remove the levelling legs from the vender.
5. Attach the caster kit to the vender as shown in Figure 3, using the levelling legs to secure them.
IMPORTANT NOTE: The brake wheels **MUST** be toward the front of the vender, as shown in the photographs in Figure 3.
NOTE ON TIGHTENING THE LEVELLING LEGS: Tighten levelling legs until relative movement between caster frames and vending machine base is prevented.
NOTE ON 5th LEVELLING LEG ON RVV MODELS: The 5th levelling leg (support leg) **MUST** be extended all the way until it touches the caster plate. Failure to do so could allow the vender to tip forward, potentially resulting in **serious injuries or death**.
6. Slowly lower the vender to the ground.

IMPORTANT NOTE: Empty venders may weigh as much as 800 pounds, while fully loaded venders may weigh as much as 1,300 pounds. Use extreme caution when lifting venders to install caster kits. Ensure that all proper equipment is used. Follow all necessary safety precautions. Once casters have been installed, roll venders very slowly to prevent tipping. The Universal Caster Kit is only designed to be used on level surfaces. **DO NOT USE ON RAMPS OR INCLINED SURFACES!**

**ANY QUESTIONS? CONTACT ROYAL VENDORS' CUSTOMER SERVICE DEPARTMENT
IN NORTH AMERICA, CALL TOLL FREE 1 800 931 9214**

SUBJECT: Universal Caster Kit Installation

MODELS: All venders

FIGURE 1.

Front caster arm assembly shown.
For rear assembly, use inner caster arm (B) and swivel without brake (D).

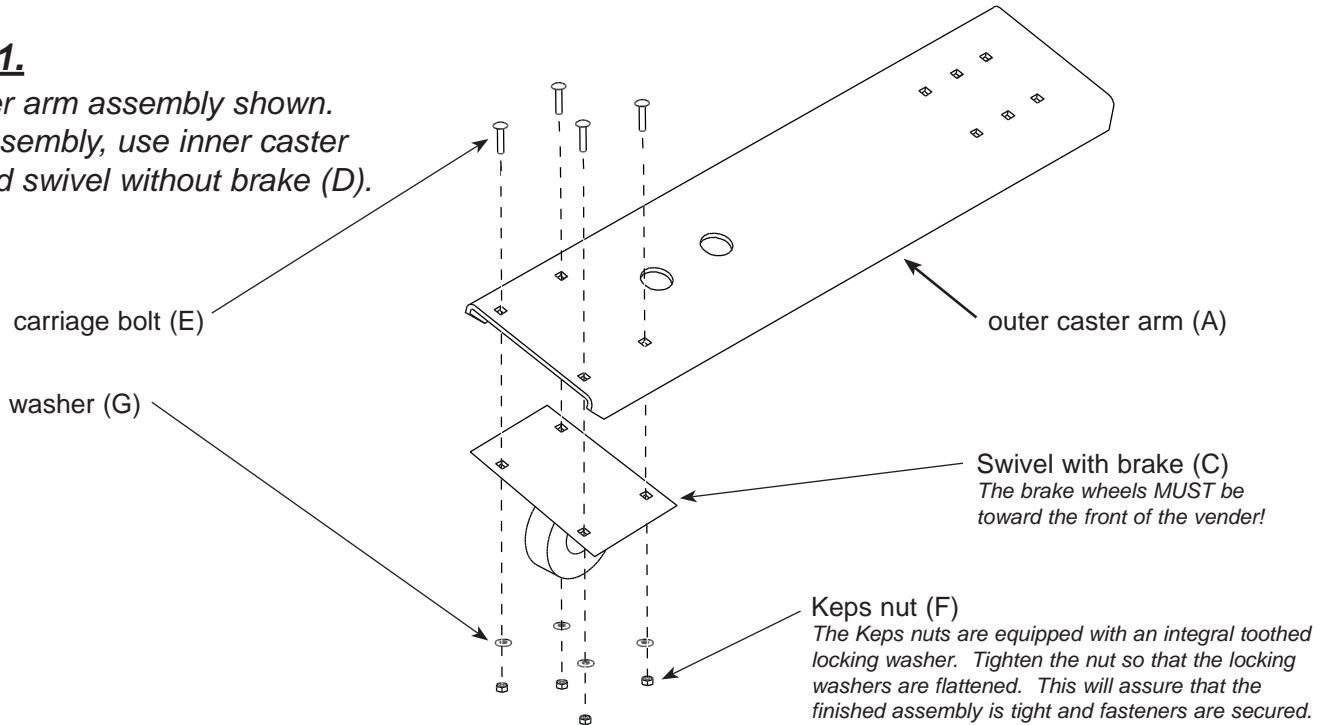
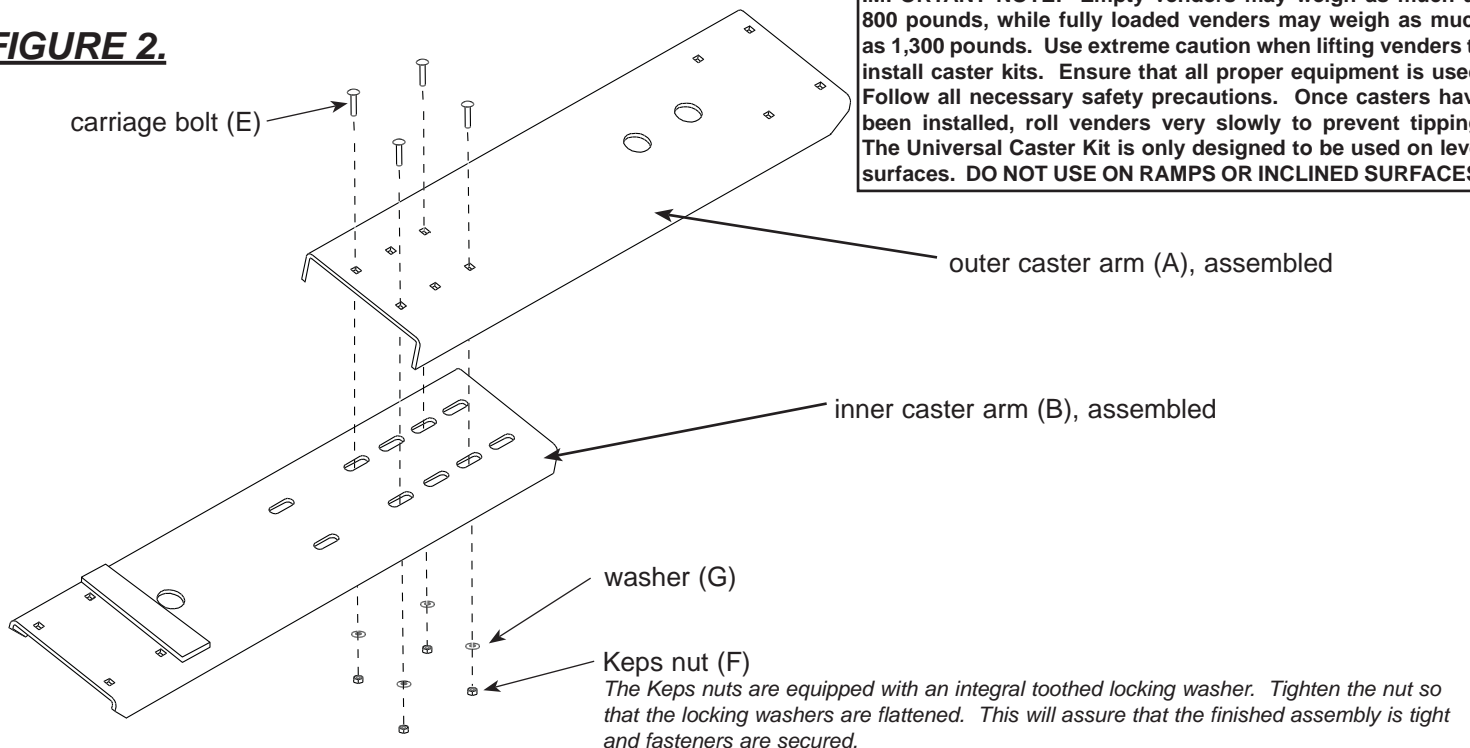


FIGURE 2.

IMPORTANT NOTE: Empty venders may weigh as much as 800 pounds, while fully loaded venders may weigh as much as 1,300 pounds. Use extreme caution when lifting venders to install caster kits. Ensure that all proper equipment is used. Follow all necessary safety precautions. Once casters have been installed, roll venders very slowly to prevent tipping. The Universal Caster Kit is only designed to be used on level surfaces. **DO NOT USE ON RAMPS OR INCLINED SURFACES!**



**ANY QUESTIONS? CONTACT ROYAL VENDORS' CUSTOMER SERVICE DEPARTMENT
IN NORTH AMERICA, CALL TOLL FREE 1 800 931 9214**



SERVICE BULLETIN 234

426 Industrial Boulevard • Kearneysville WV 25430-2776 • USA

Telephone: +1 304 728 7056 • Fax: +1 304 725 4016

Toll-Free in North America: 1 800 931 9214 • technicalinquiry@royalvendors.com

Page: 4 of 5

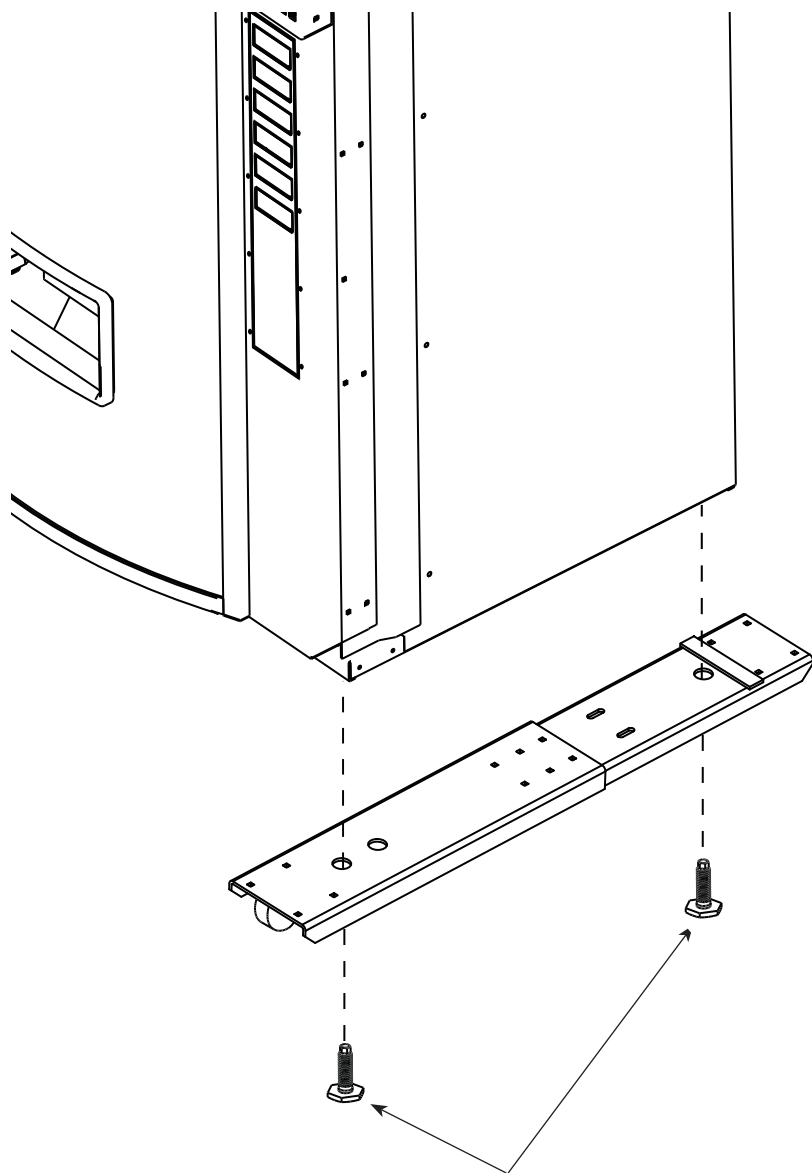
Date: 11 Jan 08

Revision: 02

SUBJECT: Universal Caster Kit Installation

MODELS: All venders

FIGURE 3.



levelling legs

Use the levelling legs to secure the caster kits to the vender.

Tighten levelling legs until relative movement between caster frames and vending machine base is prevented.



IMPORTANT NOTE: The brake wheels **MUST** be toward the front of the vender, as shown in the photographs.

IMPORTANT NOTE: Empty venders may weigh as much as 800 pounds, while fully loaded venders may weigh as much as 1,300 pounds. Use extreme caution when lifting venders to install caster kits. Ensure that all proper equipment is used. Follow all necessary safety precautions. Once casters have been installed, roll venders very slowly to prevent tipping. The Universal Caster Kit is only designed to be used on level surfaces. **DO NOT USE ON RAMPS OR INCLINED SURFACES!**

**ANY QUESTIONS? CONTACT ROYAL VENDORS' CUSTOMER SERVICE DEPARTMENT
IN NORTH AMERICA, CALL TOLL FREE 1 800 931 9214**



SERVICE BULLETIN 234

426 Industrial Boulevard • Kearneysville WV 25430-2776 • USA

Telephone: +1 304 728 7056 • Fax: +1 304 725 4016

Toll-Free in North America: 1 800 931 9214 • technicalinquiry@royalvendors.com

Page: 5 of 5

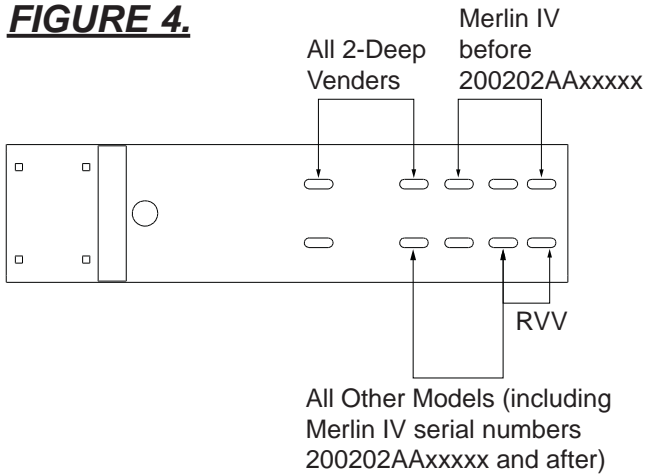
Date: 11 Jan 08

Revision: 02

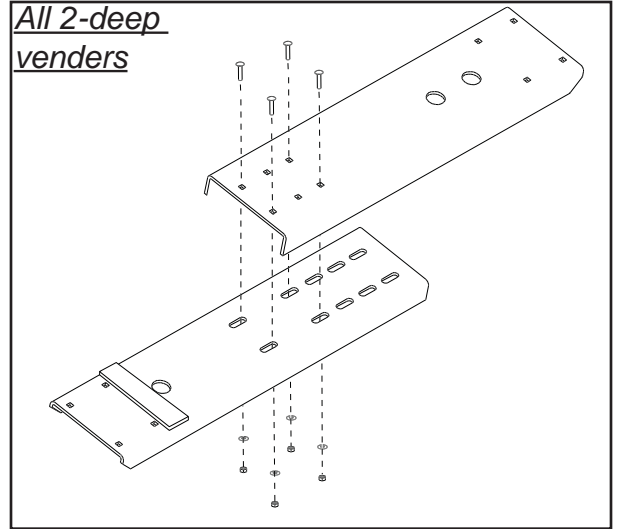
SUBJECT: Universal Caster Kit Installation

MODELS: All venders

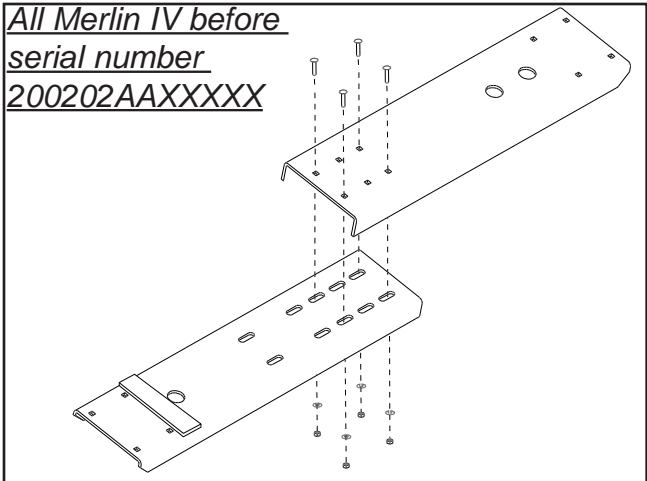
FIGURE 4.



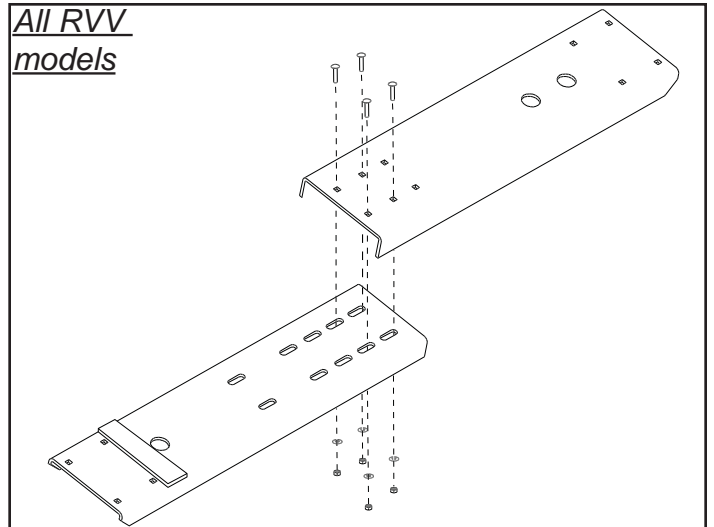
All 2-deep venders



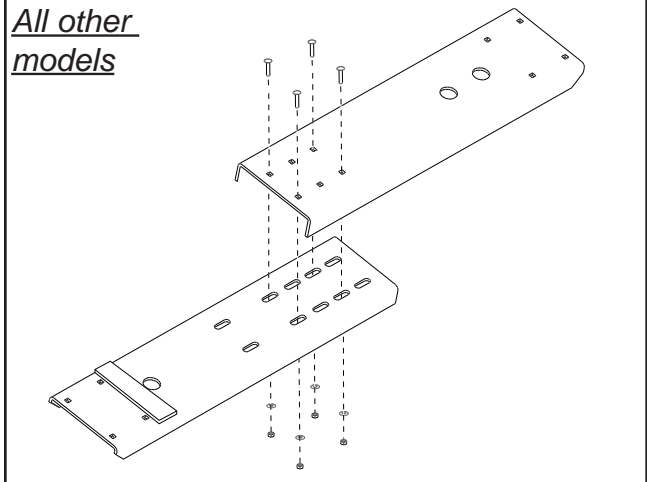
All Merlin IV before serial number 200202AAXXXXX



All RVV models



All other models



ANY QUESTIONS? CONTACT ROYAL VENDORS' CUSTOMER SERVICE DEPARTMENT IN NORTH AMERICA, CALL TOLL FREE 1 800 931 9214