



SERVICE BULLETIN # 00233

426 INDUSTRIAL BOULEVARD • KEARNEYSVILLE WV 25430-2776 • USA
 Phone: (304) 728-7056 • Fax: (304) 725-6579 • Toll Free: (800) 931-9214

| |
|---------------|
| PAGE: 1 of 4 |
| DATE: 1-23-04 |
| REVISION: 02 |

SUBJECT: Retrofitting Coke Venders with T8 Lighting

of People Required 

MODELS: All venders with Coke-style doors (115 VAC only)

| Kit Number | Kit Description |
|------------|--|
| 303599 | 79" T8 Lighting Kit, Landscape Wide with Center Door Changer |
| 304599 | 72" T8 Lighting Kit, Landscape Wide with Center Door Changer |
| 305599 | 72" T8 Lighting Kit, Landscape Narrow |
| 303598 | 79" and 72" T8 Lighting Kit, Landscape Wide, non-Center Door Changer |
| 292599 | 79" T8 Lighting Kit, Marketing Wide |
| 291599 | 72" T8 Lighting Kit, Marketing Wide |
| 293599 | 72" T8 Lighting Kit, Marketing Narrow |



Areas of the vender marked with this warning label contain voltage which can cause serious injury or even death. Remove power from vender before working in these areas.

TOOLS REQUIRED: Phillips Head Screw Driver, 11/32 socket wrench

ESTIMATED INSTALLATION TIME: 20 minutes

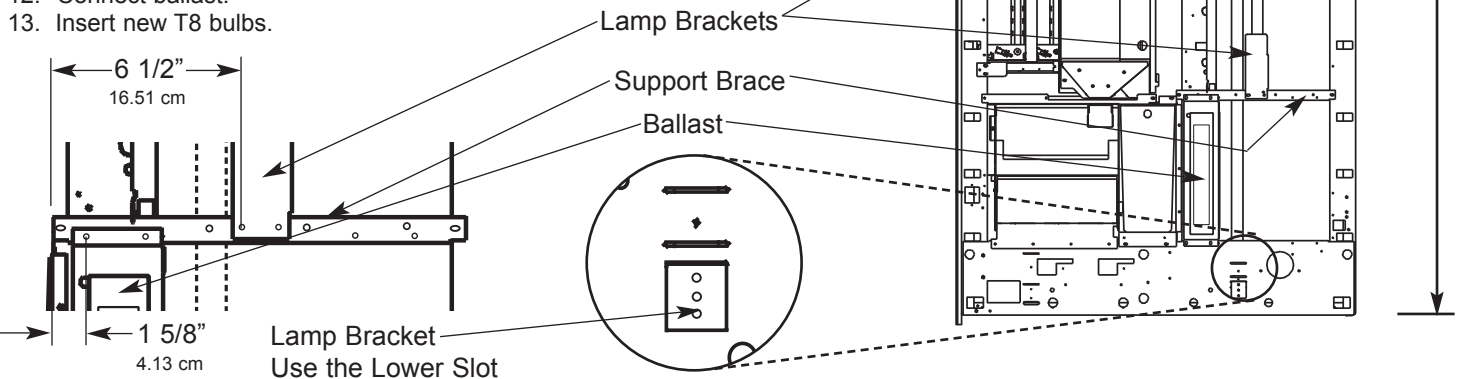
INSTALLATION INSTRUCTIONS:

79" MARKETING

1. Remove power from the vender by unplugging the vender's main power cord from the power source.
2. Remove original bulbs.
3. Remove original ballast, ballast housing, and support brace.
4. Install new support brace and ballast housing.
5. Install new ballast.
6. Attach lower lamp bracket to support brace, 6 1/2" (16.51 cm) from left of brace.
7. Install main cross bracket. Measure from the bottom of the door 48 5/8 inches (123.5 cm) to the bottom eyehole of cross bracket and fasten with the four screws from kit.
8. Insert lamp bracket into main cross bracket.
9. Insert bottom lamp bracket in the bottom slot.
10. Install top lamp bracket.
11. Replace existing lamp brackets on the left side of the door.
12. Connect ballast.
13. Insert new T8 bulbs.

Marketing Venders

Figure A



In an effort to provide our customers with the latest information on our equipment, Royal Vendors sends service bulletins to customers using the original ship-to address or e-mail addresses, if supplied by our customers. We also post all service bulletins on our website at www.royalvendors.com. If for any reason a vender is moved to another location or is sold to another customer other than to whom Royal Vendors originally sent the machine, it is the responsibility of the original purchaser of the vender to notify the appropriate personnel of the service bulletin.

**ANY QUESTIONS??? CONTACT ROYAL VENDORS' CUSTOMER SERVICE DEPARTMENT
 CALL TOLL FREE (800) 931-9214**



SERVICE BULLETIN # 00233

426 INDUSTRIAL BOULEVARD • KEARNEYSVILLE WV 25430-2776 • USA
Phone: (304) 728-7056 • Fax: (304) 725-6579 • Toll Free: (800) 931-9214

PAGE: 2 of 4

DATE: 1-23-04

REVISION: 02

SUBJECT: Retrofitting Coke Venders with T8 Lighting

MODELS: All venders with Coke-style doors (115 VAC only)

79" LANDSCAPE VENDER WITH CENTER DOOR CHANGER (Refer to Figure B)

1. **Remove power from the vender by unplugging the vender's main power cord from the power source.**
2. Remove original fluorescent bulbs.
3. Remove original ballast.
4. Remove original lamp brackets.
5. Install main cross bracket. Measure from the bottom of the door 48 7/8 inches (124.14 cm) to the bottom eyehole of cross bracket and fasten with the four screws from kit. See Figure B.
6. Install bottom lamp brackets into the slot closest to the bottom of the door, as shown in Figure B.
7. Install top lamp brackets.
8. Remove changer from vender.
9. Install the retro fit plate by using the three existing holes in the changer vault. Then, fasten the center bulb bottom bracket to the retro fit plate with the four nuts.
10. Detach transformer from the top bulkhead.
11. Install center bulb top bracket.
12. Attach transformer to the top bracket with two bolts and nuts, as shown in Figure B.
13. Drill a hole 5 3/4 inches (175.26 cm) above the second slot on the changer vault, then mount ballast. See Figure B.
14. Connect ballast to previous lead.
15. Install new T8 Bulbs.
16. Wire-tie excess harnessing away from bulbs.

72" AND 79" WIDE LANDSCAPE VENDERS, NON-CENTER DOOR CHANGER (Refer to Figure C)

1. **Remove power from the vender by unplugging the vender's main power cord from the power source.**
2. Remove original fluorescent bulbs.
3. Remove original ballast.
4. Remove original lamp brackets.
5. Install main cross bracket. Measure from the bottom of the door 48 7/8 inches (124.14 cm) to the bottom eyehole of cross bracket and fasten with the four screws from kit. See Figure C.
6. Install bottom lamp brackets into the slot which is 3.0 inches (76 mm) from the bottom of the door. (On some venders, this will be the center slot.)
7. Install top lamp brackets.
8. 79" VENDERS: Install the brace from the kit, using the supplied screws. The eyehole of the brace should be 27.5 inches (69.9 cm) from the bottom of the door, as shown in Figure C.
9. Detach transformer from the top bulkhead.
10. Install center bulb top bracket.
11. Attach transformer to the top bracket with two bolts and nuts, as shown in Figure C.
12. Mount ballast as shown in Figure C.
13. Connect ballast to power lead from main door harness.
14. Install new T8 bulbs.
15. Wire-tie excess harnessing away from bulbs.

**ANY QUESTIONS??? CONTACT ROYAL VENDORS' CUSTOMER SERVICE DEPARTMENT
CALL TOLL FREE (800) 931-9214**



SERVICE BULLETIN # 00233

426 INDUSTRIAL BOULEVARD • KEARNEYSVILLE WV 25430 • USA
Phone: (304) 728-7056 • Fax: (304) 725-6579 • Toll Free: (800) 931-9214

PAGE: 3 of 4

DATE: 1-23-04

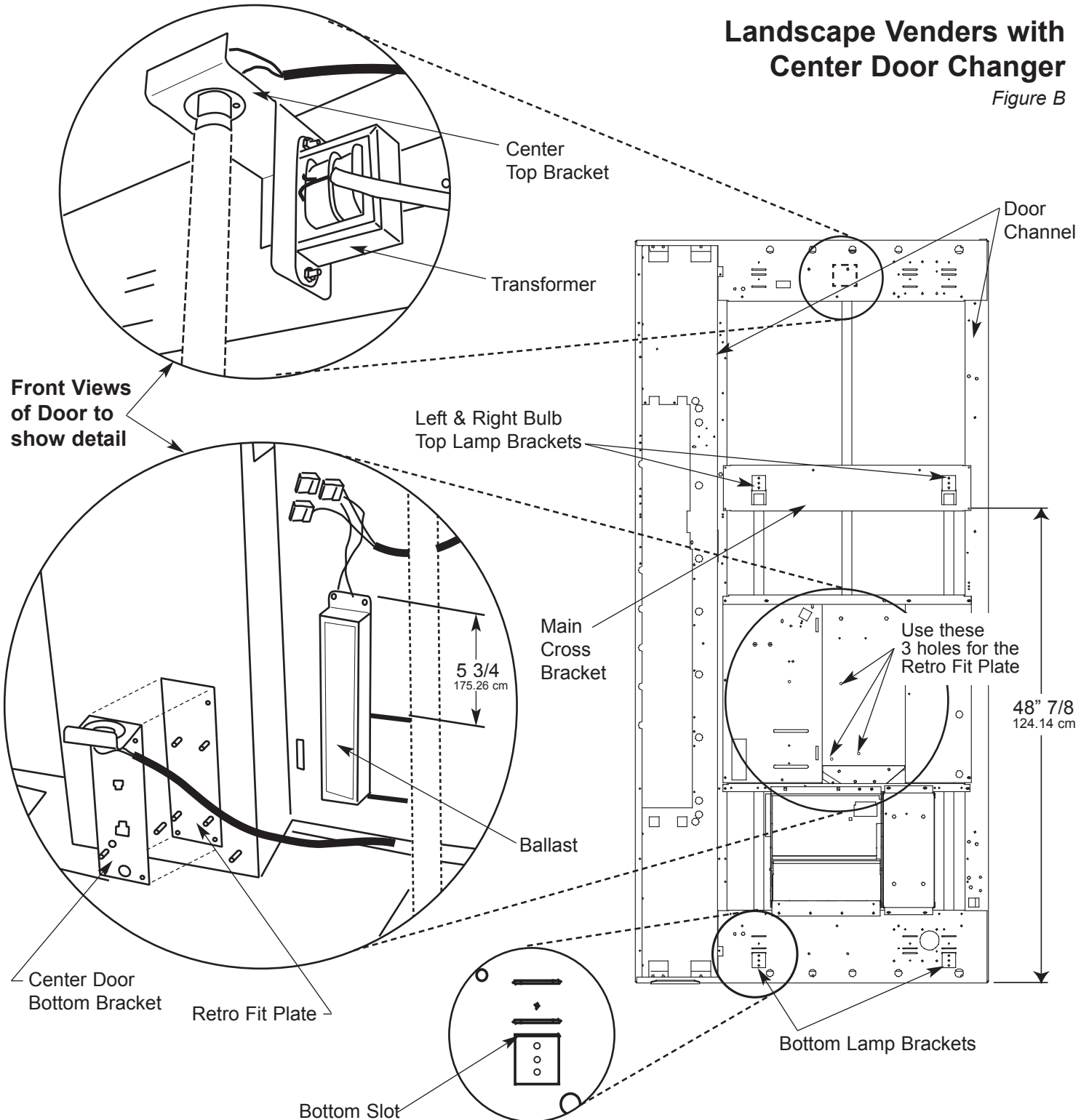
REVISION: 02

SUBJECT: Retrofitting Coke Venders with T8 Lighting

MODELS: All venders with Coke-style doors (115 VAC only)

Landscape Venders with Center Door Changer

Figure B



ANY QUESTIONS??? CONTACT ROYAL VENDORS' CUSTOMER SERVICE DEPARTMENT
CALL TOLL FREE (800) 931-9214



SERVICE BULLETIN # 00233

426 INDUSTRIAL BOULEVARD • KEARNEYSVILLE WV 25430 • USA
Phone: (304) 728-7056 • Fax: (304) 725-6579 • Toll Free: (800) 931-9214

PAGE: 4 of 4

DATE: 1-23-04

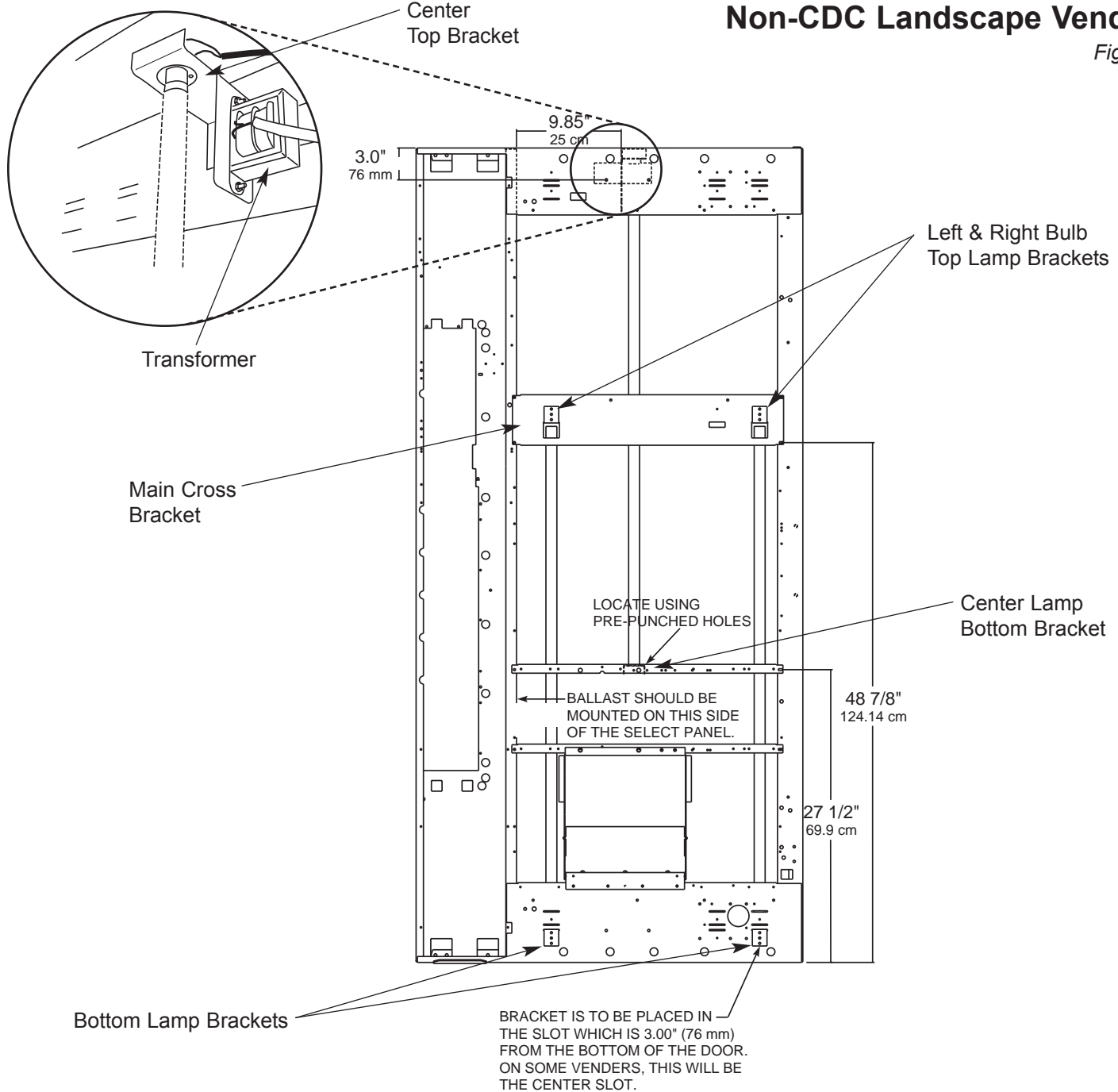
REVISION: 02

SUBJECT: Retrofitting Coke Venders with T8 Lighting

MODELS: All venders with Coke-style doors (115 VAC only)

Non-CDC Landscape Venders

Figure C



NOTES:

1. DOOR ROD: A NEW MOUNTING HOLE MAY NEED TO BE DRILLED IN THE SELECT PANEL IN ORDER FOR THE DOOR ROD TO CLEAR THE CENTER LAMP.
2. DRILL: USE A 1/8" DIAMETER BIT FOR ALL HOLES WHICH REQUIRE DRILLING.

**ANY QUESTIONS??? CONTACT ROYAL VENDORS' CUSTOMER SERVICE DEPARTMENT
CALL TOLL FREE (800) 931-9214**