



SERVICE BULLETIN 231

426 Industrial Boulevard • Kearneysville WV 25430-2776 • USA
 Telephone: +1 304 728 7056 • technicalinquiry@royalvendors.com
 Toll-free in North America: 1 800 931 9214 • Fax: +1 304 725 4016
 Canada: +1 905 738 5777 • Mexico: +52 55 5203 6887
 Europe: +49 2158 95 1000 • Australia: +61 2 9890 5433

Page: 1 of 3

Date: 09 Oct 08

Revision: 05

SUBJECT: Installation of the Energy Efficient Evaporator Fan Motor Assembly

Number of
People
Required



MODELS: GIII, Merlin IV

KIT NUMBER

KIT DESCRIPTION

231070	Energy Efficient Evaporator Kit GIII (115 VAC)
283070	Energy Efficient Evaporator Kit GIII Narrow (115 VAC)
231080	Energy Efficient Evaporator Kit GIII (230 VAC)
283080	Energy Efficient Evaporator Kit GIII Narrow (230 VAC)
256071	Energy Efficient Evaporator Kit Merlin IV (115 VAC)

TOOLS REQUIRED: Phillips screwdriver, rivet gun, 3/8" socket with extension

ESTIMATED INSTALLATION TIME: 35 minutes

REASON FOR BULLETIN: This bulletin describes the proper procedure for installing the energy-efficient Energy Efficient Evaporator Kit.



The following areas of this vender contain voltage which can cause serious injury or even death: the main power cord, supplying 115-230 VAC to the evaporator, EMI filter, and refrigeration system; the power line from the EMI filter to the ballast and transformer; and the ballast, which can produce upwards of 600 volts. Remove power from vender before working in any of these areas.

INSTALLATION INSTRUCTIONS:

Step A. Removing the old evaporator shroud and fan motor assembly.

1. Remove power from the vender by unplugging the vender's main power cord from the AC voltage power source.
2. Remove the screw and the bolt from the product chute bracket. Also, remove the wiring cover plate. Remove the product chute from the cabinet. (See Figure 1.)
3. Remove the two clips that hold the evaporator cover in place. Then, remove the evaporator cover. Next, remove the four screws that hold the evaporator in place (two on each side). (See Figure 2.)
4. Remove the two bolts in the refrigeration unit base plate and the two screws in the side panel of the refrigeration unit. Disconnect the power lead to the refrigeration unit, and remove the unit from the vender.
5. Disconnect the evaporator fan motor leads.
6. Remove the three screws that hold the evaporator shroud in place, then remove the shroud. Next, remove the two screws that hold the evaporator fan motor assembly bracket in place, as well as the evaporator fan motor's ground wire. The bottom of this bracket is held by another bracket. Remove this bracket as well. (See Figure 3.)

Step B. Assembling and installing the Energy Efficient evaporator fan motor assembly and new shroud.

7. Attach the Energy Efficient evaporator fan motor assembly to the new evaporator shroud, using six of the sems screws and six of the Keps nuts provided with the kit. (See Figure 4.)
8. Attach the air guides to the new shroud, using two of the rivets provided with the kit.
9. Attach the left and right evaporator brackets, using the remaining six rivets provided with the kit.
10. Attach the jumper harness to the evaporator fan motor's power lead. Place the bushing around this jumper, and insert the bushing in the hole in the new shroud.
11. Insert this whole new assembly into the vender. Secure it with cutting screws left over from the previous evaporator fan motor assembly and shroud.
12. Plug the evaporator fan motor's jumper harness into the main wiring harness leads.
13. Reinstall and secure the refrigeration unit.
14. Install the evaporator cover. Secure it with the four clips provided with the kit.
15. Reinstall and secure the product chute. Also secure the wiring cover plate.
16. Restore power to the vender by plugging the vender's main power cord into the AC voltage power source.

In an effort to provide our customers with the latest information on our equipment, Royal Vendors sends service bulletins to customers using the original ship-to address or e-mail addresses, if supplied by our customers. We also post all service bulletins on our website at www.royalvendors.com. If for any reason a vender is moved to another location or is sold to another customer other than to whom Royal Vendors originally sent the machine, it is the responsibility of the original purchaser of the vender to notify the appropriate personnel of the service bulletin.

**ANY QUESTIONS? CONTACT ROYAL VENDORS' CUSTOMER SERVICE DEPARTMENT
 IN NORTH AMERICA, CALL TOLL FREE 1 800 931 9214**



SERVICE BULLETIN 231

426 Industrial Boulevard • Kearneysville WV 25430-2776 • USA
Telephone: +1 304 728 7056 • technicalinquiry@royalvendors.com
Toll-free in North America: 1 800 931 9214 • Fax: +1 304 725 4016
Canada: +1 905 738 5777 • Mexico: +52 55 5203 6887
Europe: +49 2158 95 1000 • Australia: +61 2 9890 5433

Page: 2 of 3

Date: 09 Oct 08

Revision: 05

SUBJECT: Installation of the Energy Efficient Evaporator Fan Motor Assembly

MODELS: GIII, Merlin IV

Figure 1

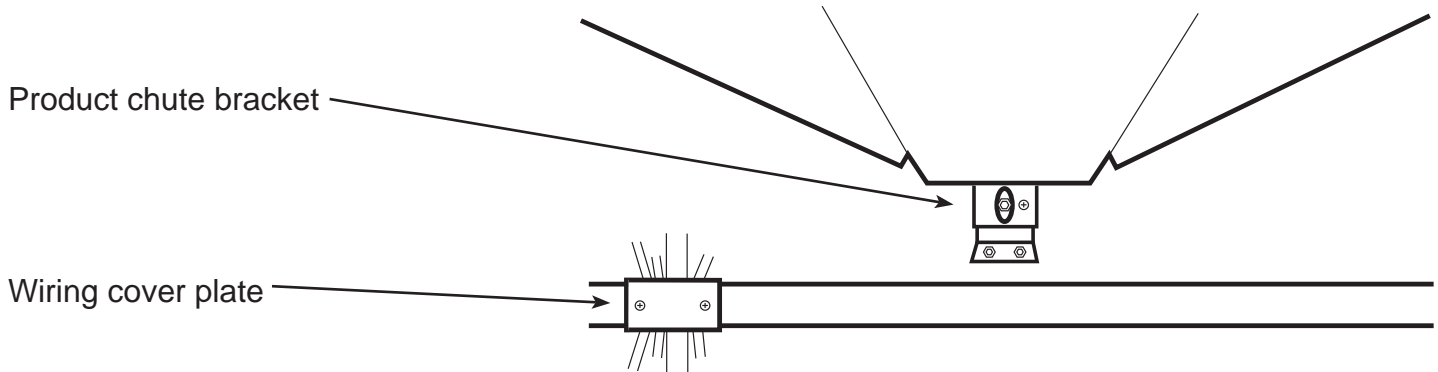


Figure 2

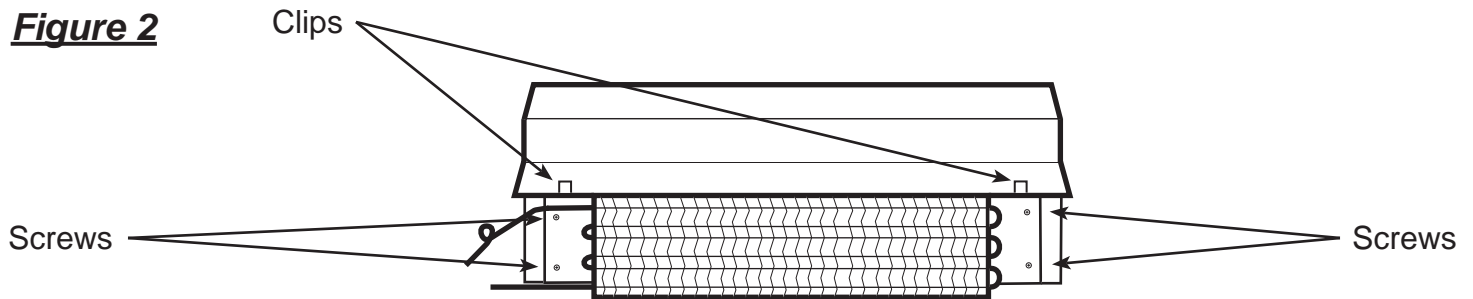
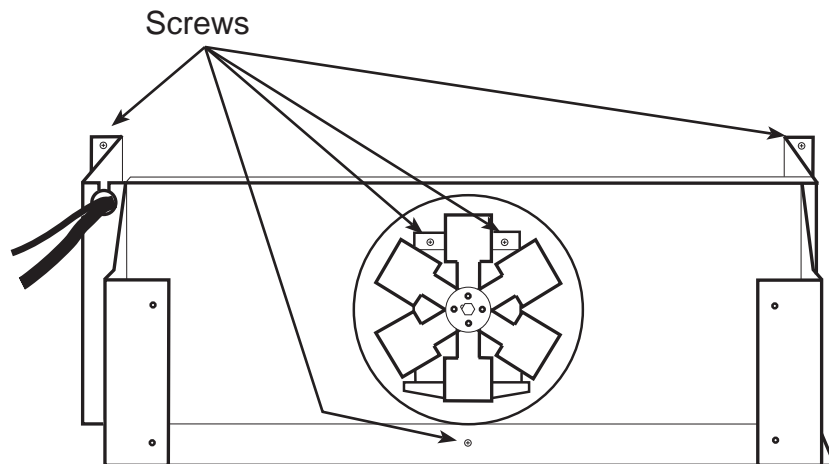


Figure 3



**ANY QUESTIONS? CONTACT ROYAL VENDORS' CUSTOMER SERVICE DEPARTMENT
IN NORTH AMERICA, CALL TOLL FREE 1 800 931 9214**



SERVICE BULLETIN 231

426 Industrial Boulevard • Kearneysville WV 25430-2776 • USA

Telephone: +1 304 728 7056 • Fax: +1 304 725 4016

Toll-Free in North America: 1 800 931 9214 • technicalinquiry@royalvendors.com

Page: 3 of 3

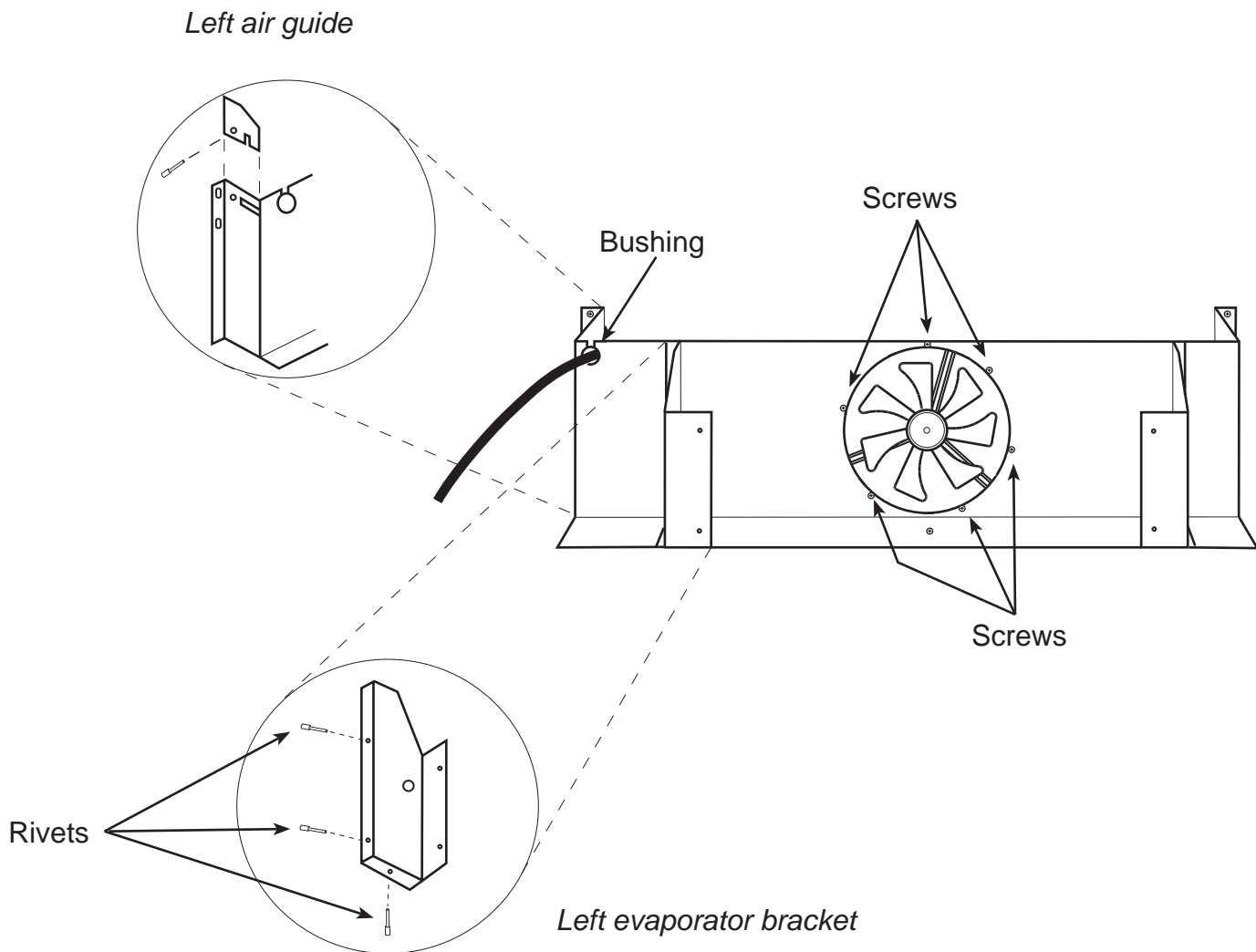
Date: 09 Oct 08

Revision: 05

SUBJECT: Installation of the Energy Efficient Evaporator Fan Motor Assembly

MODELS: GIII, Merlin IV

Figure 4



**ANY QUESTIONS? CONTACT ROYAL VENDORS' CUSTOMER SERVICE DEPARTMENT
IN NORTH AMERICA, CALL TOLL FREE 1 800 931 9214**