



# Helpful Hints 0022

clear & easy

201 INDUSTRIAL BOULEVARD • KEARNEYSVILLE, WV 25430  
Phone: (304) 728-7056 • Fax: (304) 725-6579 • Toll Free: (800) 931-9214

PAGE: 1 of 1

DATE: 6-18-02

REVISION: 03

**SUBJECT:** Fluorescent Bulb Removal Instructions for Low Overhead Clearance

# of People  
Required



**MODELS:** MIV CDC

**TOOLS REQUIRED:** Phillips screwdriver, 11/32" socket

**ESTIMATED TIME:** 10 minutes



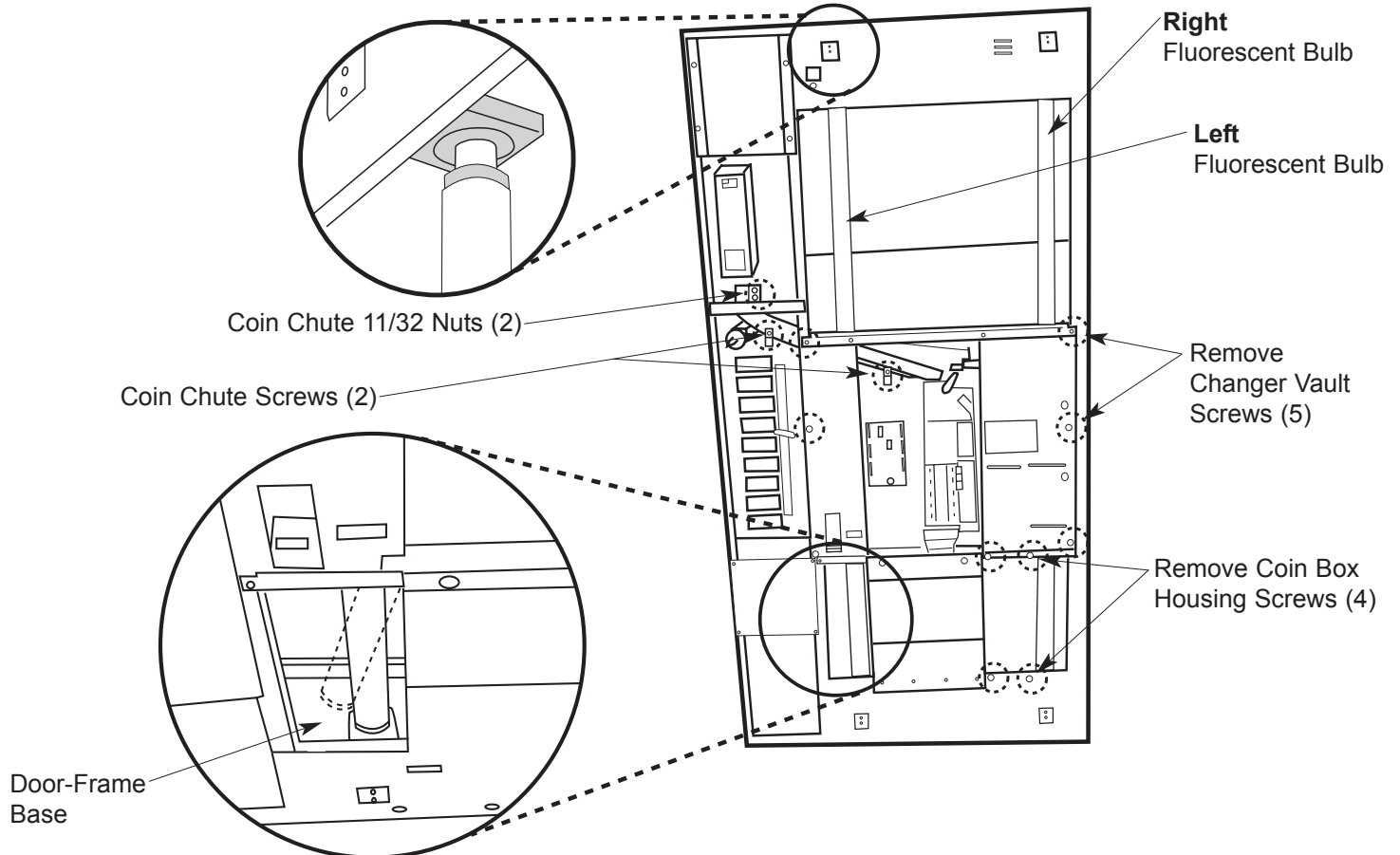
The following areas of this vender contain voltage, which can cause serious injury or even death. The main power cord, supplying 110 VAC to the evaporator, EMI filter, and refrigeration system. The power line from the EMI filter to the ballast and transformer. The ballast can produce upwards of 600 volts. Remove power from vender before working in any of these areas.

**REASON FOR HINT:** To show the proper way to remove a fluorescent bulb from a MIV CDC vender when it is situated with a low overhead clearance. Normally the bulbs could be carefully lifted out between the changer vault and the top-door panel.

### INSTRUCTIONS:

**CAUTION:** The fluorescent bulb may be hot, it is recommended to let the bulb cool down before removing them.

1. Remove power from vender by unplugging vender's main power cord from the AC voltage power source.
2. Remove the coin box housing (4 screws).
3. Remove the coin chute (2 screws & 2 11/32 nuts)
4. Remove the changer vault by removing the top 2 screws on the left side and the 3 screws on the right side of the vault.
5. **For the right bulb**, first push up on bulb to release it from the bottom lamp socket. This will allow you to reposition the bottom of the bulb so that it drops below the bottom-lamp bracket to the door-frame base. Then pull the changer vault toward you and carefully pull the bulb out.
6. **For the left bulb**, first push up on bulb to release it from the bottom lamp socket. This will allow you to reposition the bottom of the bulb so that it drops below the bottom-lamp bracket to the door-frame base. Then pull the changer vault toward you and angle the bulb to the right side. Carefully lift up on the bulb and work the bulb to the right side (over the port). Once the bulb is in the right side pull the vault toward you and carefully pull the bulb out.
7. Replace bulbs in the reverse order of taking them out.



**ANY QUESTIONS??? CONTACT ROYAL VENDORS' CUSTOMER SERVICE DEPARTMENT  
CALL TOLL FREE (800) 931-9214**