



# SERVICE BULLETIN # 00228

201 INDUSTRIAL BOULEVARD • KEARNEYSVILLE, WV 25430

Phone: (304) 728-7056 • Fax: (304) 725-6579 • Toll Free: (800) 931-9214

PAGE: 1 of 2

DATE: 6-20-02

REVISION: 02

**SUBJECT:** Installation of New Counterclockwise Evaporator Fan Motor Assembly

# of People  
Required



**MODELS:** All Venders

**Part Number** | **Part Description**

303121 | Evaporator Fan Motor Assembly CCW

**TOOLS REQUIRED:** Phillips screwdriver, 3/8" socket w/extension

**ESTIMATED INSTALLATION TIME:** 30 minutes



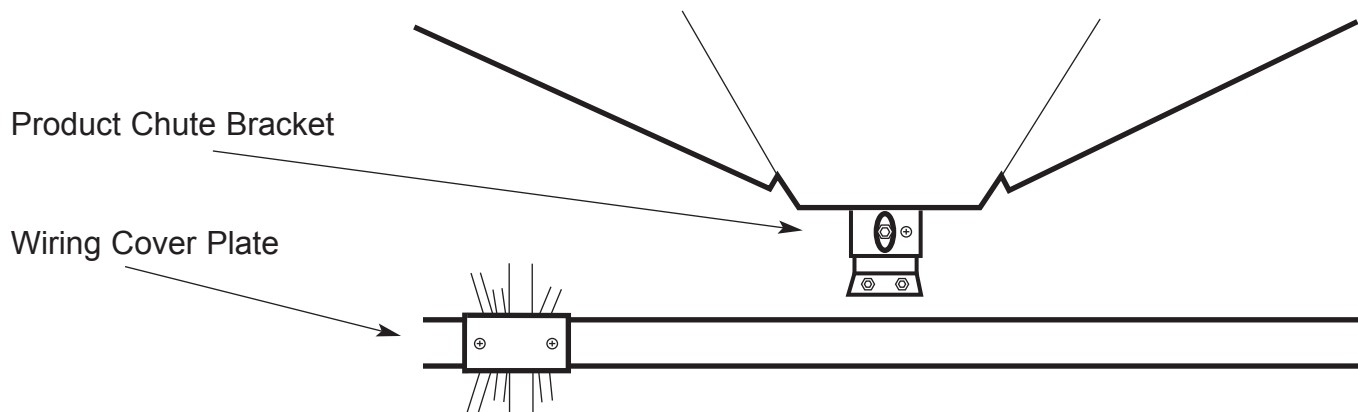
The following areas of this vender contain voltage, which can cause serious injury or even death. The main power cord, supplying 110 VAC to the evaporator, EMI filter, and refrigeration system. The power line from the EMI filter to the ballast and transformer. The ballast can produce upwards of 600 volts. Remove power from vender before working in any of these areas.

**REASON FOR BULLETIN:** Starting with serial number 200140BAxxxxx, the older evaporator fan motor assembly was replaced with a newer evaporator fan motor assembly. The older assembly turned clockwise, whereas the new one turns counterclockwise. For this reason, the two are not interchangeable without replacing the complete assembly.

## INSTRUCTIONS FOR REPLACING THE EVAPORATOR FAN MOTOR ASSEMBLY:

1. Remove power from the vender by unplugging the vender's main power cord from the AC voltage power source.
2. Remove the screw and the bolt from the product chute bracket. Also, remove the wiring cover plate. Remove the product chute from the cabinet. (see Figure 1)
3. Remove the two clips that hold the evaporator cover in place. Then, remove the evaporator cover.
4. Remove the four screws that hold the evaporator in place (two on each side). (see Figure 2)
5. Remove the two bolts in the refrigeration unit base plate and the two screws in the side panel of the refrigeration unit.
6. Disconnect the power lead to the refrigeration unit, and remove the unit from the vender.
7. Disconnect the evaporator fan motor leads.
8. Remove the three screws that hold the evaporator shroud in place, then remove the shroud. (see Figure 3)
9. Remove the two screws that hold the evaporator fan motor assembly bracket in place, as well as the evaporator fan motor's ground wire. (The bottom of this bracket is held by another bracket.)
10. Install the new evaporator fan motor assembly. Installation is reverse of removal.
11. Restore power to the vender by plugging the vender's main power cord into the AC voltage power source.

**Figure 1**



**ANY QUESTIONS???** CONTACT ROYAL VENDORS' CUSTOMER SERVICE DEPARTMENT  
**CALL TOLL FREE (800) 931-9214**



# SERVICE BULLETIN # 00228

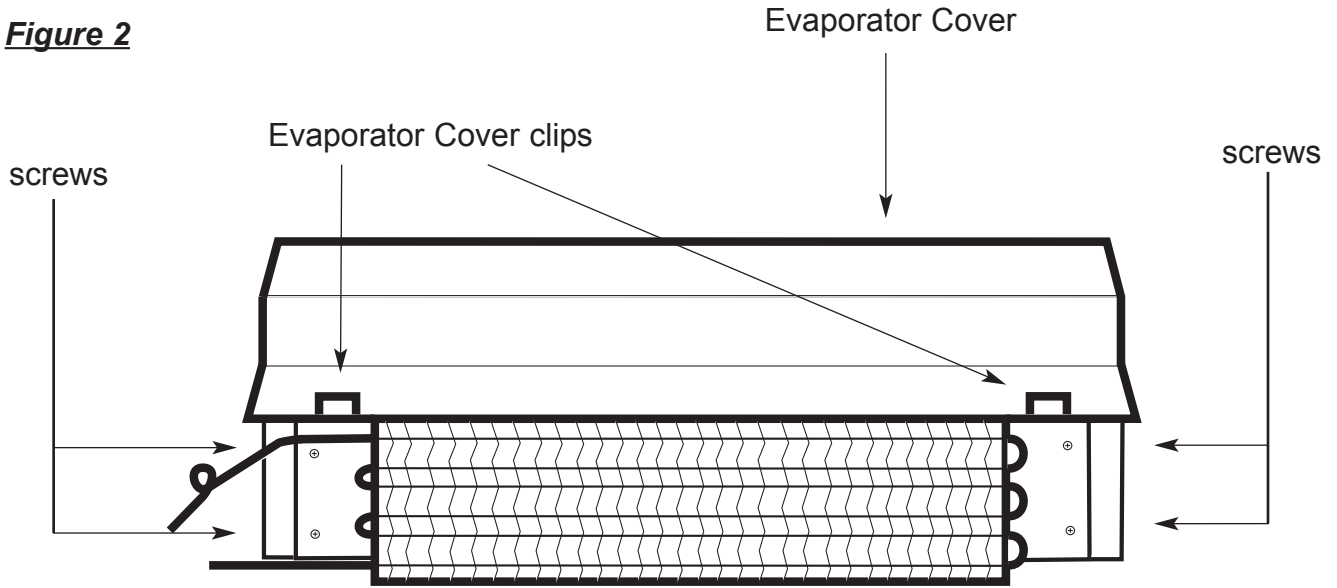
201 INDUSTRIAL BOULEVARD • KEARNEYSVILLE, WV 25430  
Phone: (304) 728-7056 • Fax: (304) 725-6579 • Toll Free: (800) 931-9214

PAGE: 2 of 2
DATE: 6-20-02
REVISION: 02

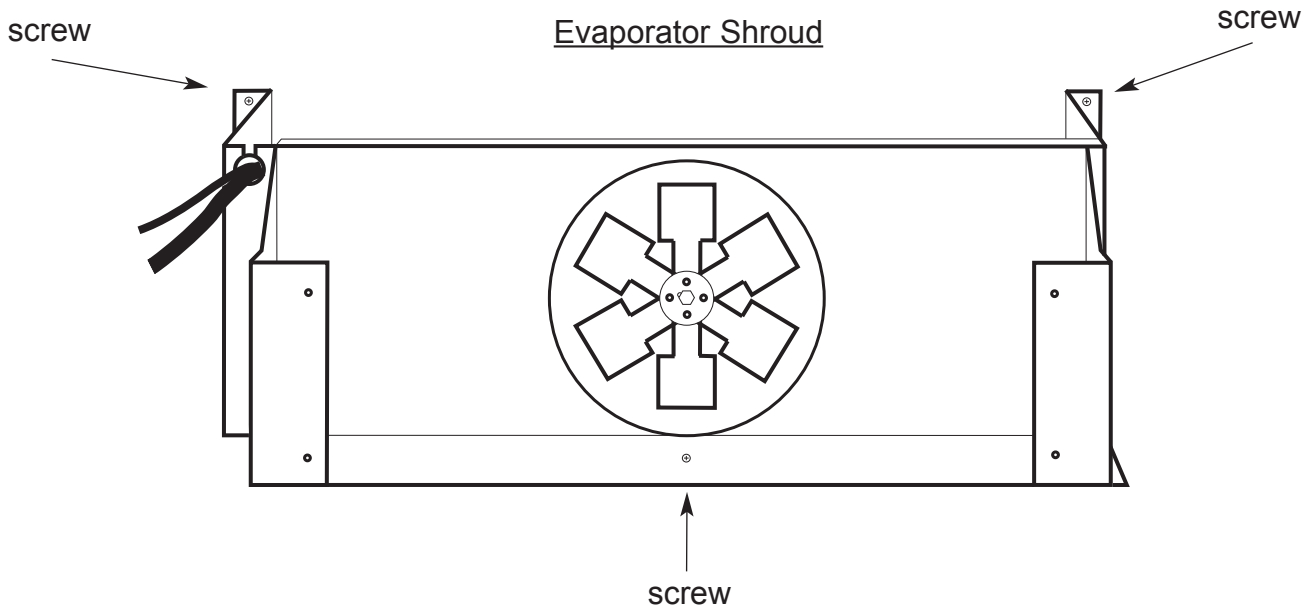
**SUBJECT:** Installation of New Counterclockwise Evaporator Fan Motor Assembly

**MODELS:** All Venders

**Figure 2**



**Figure 3**



**ANY QUESTIONS??? CONTACT ROYAL VENDORS' CUSTOMER SERVICE DEPARTMENT  
CALL TOLL FREE (800) 931-9214**