



# SERVICE BULLETIN # 00227

201 INDUSTRIAL BOULEVARD • KEARNEYSVILLE, WV 25430

Phone: (304) 728-7056 • Fax: (304) 725-6579 • Toll Free: (800) 931-9214

PAGE: 1 of 1

DATE: 6-20-02

REVISION: 03

**SUBJECT:** Installation of Four-Prong Refrigeration Relay

**MODELS:** All GIII Venders

Part Number	Part Description
303127	Relay Adapter Kit

**TOOLS REQUIRED:** Phillips screwdriver, drill, 3/32" drill bit

**ESTIMATED INSTALLATION TIME:** 10 minutes



The following areas of this vender contain voltage, which can cause serious injury or even death. The main power cord, supplying 110 VAC to the evaporator, EMI filter, and refrigeration system. The power line from the EMI filter to the ballast and transformer. The ballast can produce upwards of 600 volts. Remove power from vender before working in any of these areas.

# of People Required

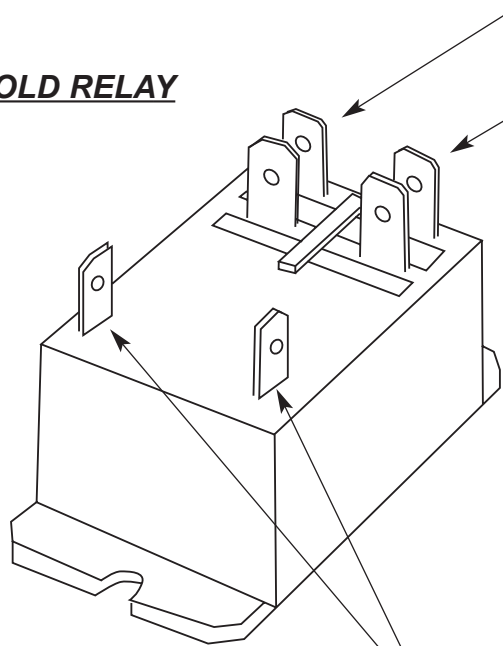


**REASON FOR BULLETIN:** The old refrigeration relay (p/n 836065) has been replaced in production with a new, smaller relay. This change was effective on serial numbers 200145xxxxxx and higher. This new relay is identified by having four prongs instead of the six prongs on the older relay (see illustration below). The older relay will remain available as a service part, but can be upgraded to the new relay by use of adapter harnesses. **The two relays are not interchangeable without these adapter harnesses.**

## INSTRUCTIONS FOR INSTALLING THE NEW RELAY:

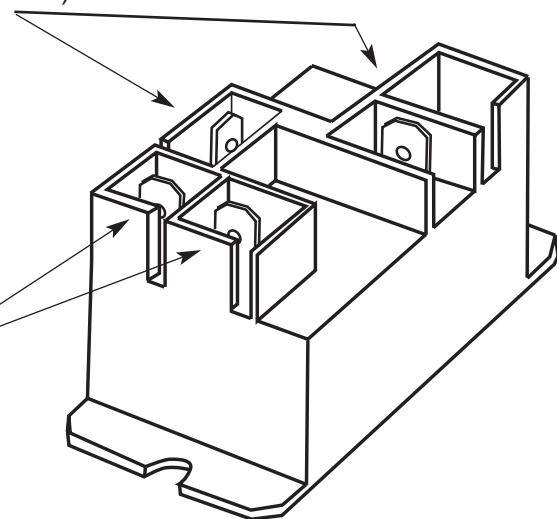
1. Remove power from the vender by unplugging the vender's main power cord from the AC voltage power source.
2. Remove the existing relay from the vender.
3. Mark the positions for two new screw holes to mount the new relay (approximately 1 3/4" or 45 mm apart). Drill out these holes with a 3/32" drill bit.
4. Mount the new relay with two #6-32 screws (included in the kit).
5. Attach the adapter harnesses to the existing main wiring harness and refrigeration control harness.
6. Restore power to the vender by plugging in the vender's main power cord to the AC voltage power source.

OLD RELAY



110 / 240 VAC (from Main Wiring Harness)

NEW RELAY



24 VDC (from control board)

**ANY QUESTIONS??? CONTACT ROYAL VENDORS' CUSTOMER SERVICE DEPARTMENT  
CALL TOLL FREE (800) 931-9214**