



# SERVICE BULLETIN # 00225

201 INDUSTRIAL BOULEVARD • KEARNEYSVILLE, WV 25430

Phone: (304) 728-7056 • Fax: (304) 725-6579 • Toll Free: (800) 931-9214

PAGE: 1 of 4

DATE: 8-8-01

REVISION: 01

**SUBJECT:** U-hinge Retrofit Procedure

**MODELS:** GIII & Marketing Wide Venders

# of People  
Required



**KIT NUMBER**

**KIT DESCRIPTION**

164110

U-Hinge Retrofit Kit, Black

294110

U-Hinge Retrofit Kit, Red

p/n 951001

TT27 Torx Driver (Hex) Bit

**Tools Required:** 3/8, 7/16, & 9/16 Deep Sockets plus a 6" extension, TT27 Torx Driver Bit, Phillips screw driver, Socket

Wrench, Power Drill with 1/2 & 5/16 drill bits, Caulking Gun w/ silicone sealant, Hammer, Chisel, Helpful Hint 24

**Estimated Installation Time:** 30 minutes with power tools /1 hour with hand tools

**REASON FOR BULLETIN:** This kit was created for retrofitting venders built prior to universal hinge conversion to accept the new universal hinge. The kit is intended to provide additional security in high vandalism areas.

## INSTALLATION INSTRUCTIONS:

1. Remove power from vender by unplugging vender's main power cord from the AC voltage power source.
2. Remove the right fluorescent bulb (see figure 1) and remove the left vandal panel.
3. Open the outer door and using a 9/16" or 15 mm deep socket and 6" extension remove the 3/8-16 Nylok nut from the bottom of the hinge-pin. See Figure 1
4. Adjust the front leveling legs so that they are at their maximum extension using a 7/16 socket. (This will allow the bottom hinge bracket to swing free from the base-plate in the next step). See Figure 1
5. With the door open (at approximately 90 degrees) make sure the door is supported. Now, use a 3/8 socket to remove the two 1/4-20 bolts that fasten the bottom hinge bracket to the base-plate. See Figure 1
6. Swing the bottom of the door (outward) away from the base-plate and lower it off of the top hinge-pin. Carefully place vender door out the way (*note: wiring is still attached to the cabinet*)
7. Remove the hinge bracket from the bottom of the door and remove the two shim washers that are typically present on the bottom hinge pin. **These washers are not needed for the U-hinge.**
8. Remove the Phillips screw that fastens down the left end of the front top tie-strip and bend it down and out of the way. Then, remove the hinge access cover-plate from the top of the tank.
9. Next using a 7/16 socket, remove the two 1/4-20 nuts from the 1/4-20 carriage bolts that (along with the hardware in step 10 below) mount the top-hinge to the cabinet. See Figure 2
10. Now, remove the (flat) hinge from the cabinet by removing the three hex head 1/4-20 bolts that fasten down the hinge from the outside of the cabinet, using a 3/8 socket
11. Using a ball peen hammer, lightly peen flush, with the top surface of the shell, the burrs left by the three tapped screws that were just removed in step 10.
12. Either remove left vandal panel and shear 1-7/8 inches from the top end of the panel or replace with the appropriate length U-hinge ready vandal panel. MARKETING 72"- 291011, 79"- 290011. LANDSCAPE 72"- 142022, 79"-141022.
13. Place the new U-hinge on the corner of the cabinet and lineup the two 5/16" holes in the top of the cabinet with the hinge as follows: **For Marketing doors:** align these holes with the back-left 5/16 hole and back-right (.281 wide) slot. **For all other doors:** align the cabinet holes with the front-left 5/16 hole and front-right (.281 wide) slot. See Figure 4
14. Now, mount the hinge in place with the 1/4-20 carriage-bolt hardware that was removed in step 7, above. Tighten with a 7/16 socket.
15. With the hinge now mounted in-place on the cabinet, use the holes in the side flange of the hinge as a drill guide to drill two 5/16 holes through the side of the cabinet (all the way into the refrigerated compartment). Take care that the holes are drilled normal to the surface of the cabinet.
16. Fill the holes with RTV silicone sealant, and then, holding the nut-plate on the inside of the tank (to help contain the RTV), feed the 1/4-20 SS Torx security screws into the holes and screw them into the nut plate, finger-tight. See Figure 2
17. Using a wrench and a special Torx bit, snug the screws down taking care not to deform the inside tank wall. **DO NOT OVER TIGHTEN!**
18. Next, re-hang the door by sliding the door up onto the top hinge-pin and then fastening down the bottom hinge bracket. See Helpful Hint #24 for additional details.

**ANY QUESTIONS??? CONTACT ROYAL VENDORS' CUSTOMER SERVICE DEPARTMENT  
CALL TOLL FREE (800) 931-9214**



# SERVICE BULLETIN # 00225

201 INDUSTRIAL BOULEVARD • KEARNEYSVILLE, WV 25430

Phone: (304) 728-7056 • Fax: (304) 725-6579 • Toll Free: (800) 931-9214

PAGE: 2 of 4

DATE: 8-8-01

REVISION: 01

**SUBJECT:** U-hinge Retrofit Procedure

**MODELS:** Gill & Marketing

19. Replace the hinge pocket cover plate and return the stack tie-strip to its original position.
20. Replace the 3/8-18 Nylok nut on the top hinge pin.
21. Next, gently close the door until the left door panel just comes into contact with the side-pin on the U-hinge.
22. Use a center-punch to mark the center-point for a 1/2 inch clearance hole in the left door panel, and then drill the hole. A larger hole can be drilled if necessary, but if the hole is properly located, 1/2 " is sufficient. See Figure 3
23. Re-adjust the latch-strike for proper stud alignment.

**Note:** This kit is not recommended for narrow venders, since it will restrict the door swing angle in its full-open position.

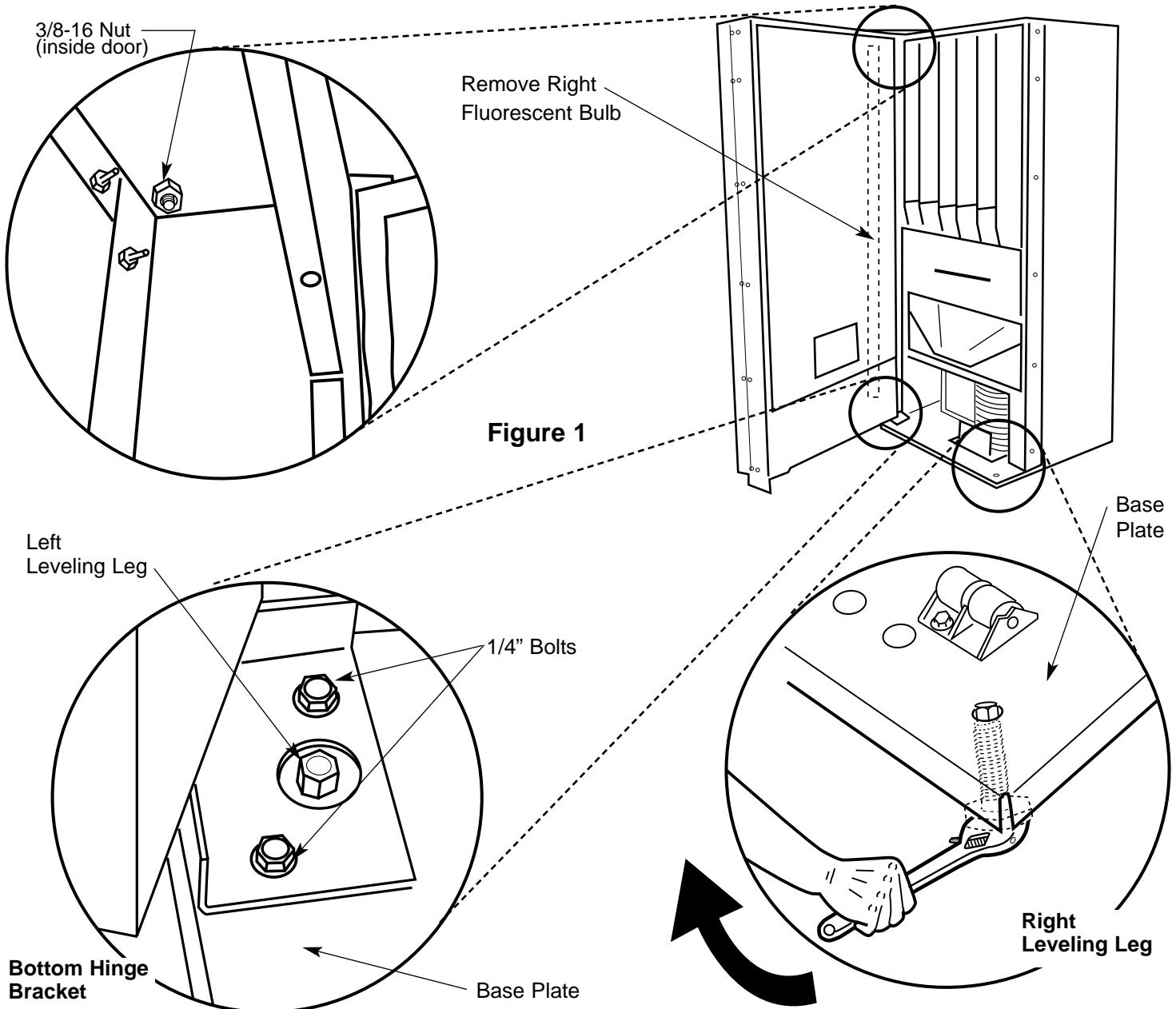


Figure 1

**ANY QUESTIONS??? CONTACT ROYAL VENDORS' CUSTOMER SERVICE DEPARTMENT  
CALL TOLL FREE (800) 931-9214**



# SERVICE BULLETIN # 00225

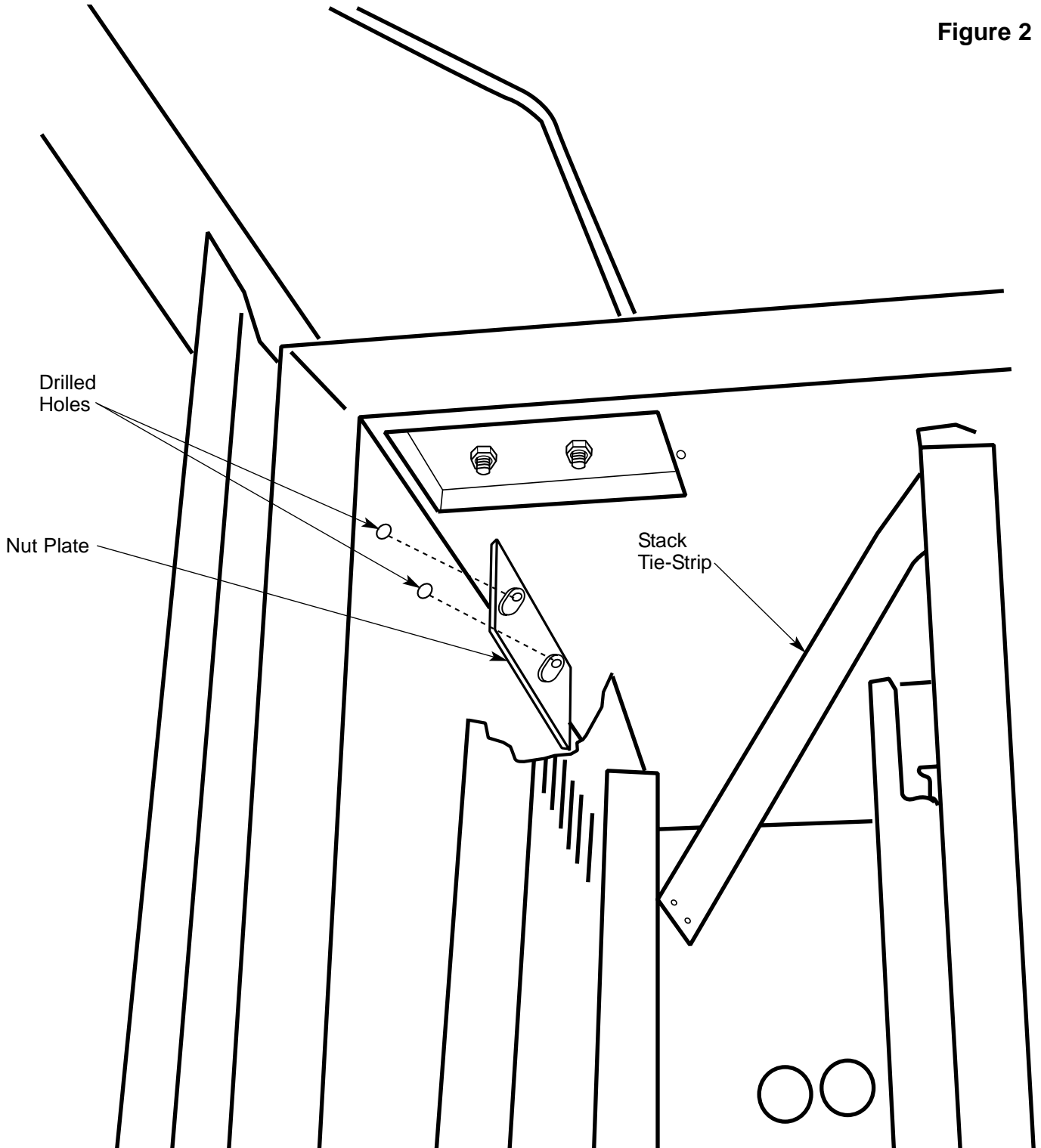
201 INDUSTRIAL BOULEVARD • KEARNEYSVILLE, WV 25430  
Phone: (304) 728-7056 • Fax: (304) 725-6579 • Toll Free: (800) 931-9214

PAGE: 3 of 4
DATE: 8-8-01
REVISION: 01

**SUBJECT:** U-hinge Retrofit Procedure

**MODELS:** Gill & Marketing

Figure 2



**ANY QUESTIONS???** CONTACT ROYAL VENDORS' CUSTOMER SERVICE DEPARTMENT  
**CALL TOLL FREE (800) 931-9214**



# SERVICE BULLETIN # 00225

201 INDUSTRIAL BOULEVARD • KEARNEYSVILLE, WV 25430

Phone: (304) 728-7056 • Fax: (304) 725-6579 • Toll Free: (800) 931-9214

PAGE: 4 of 4

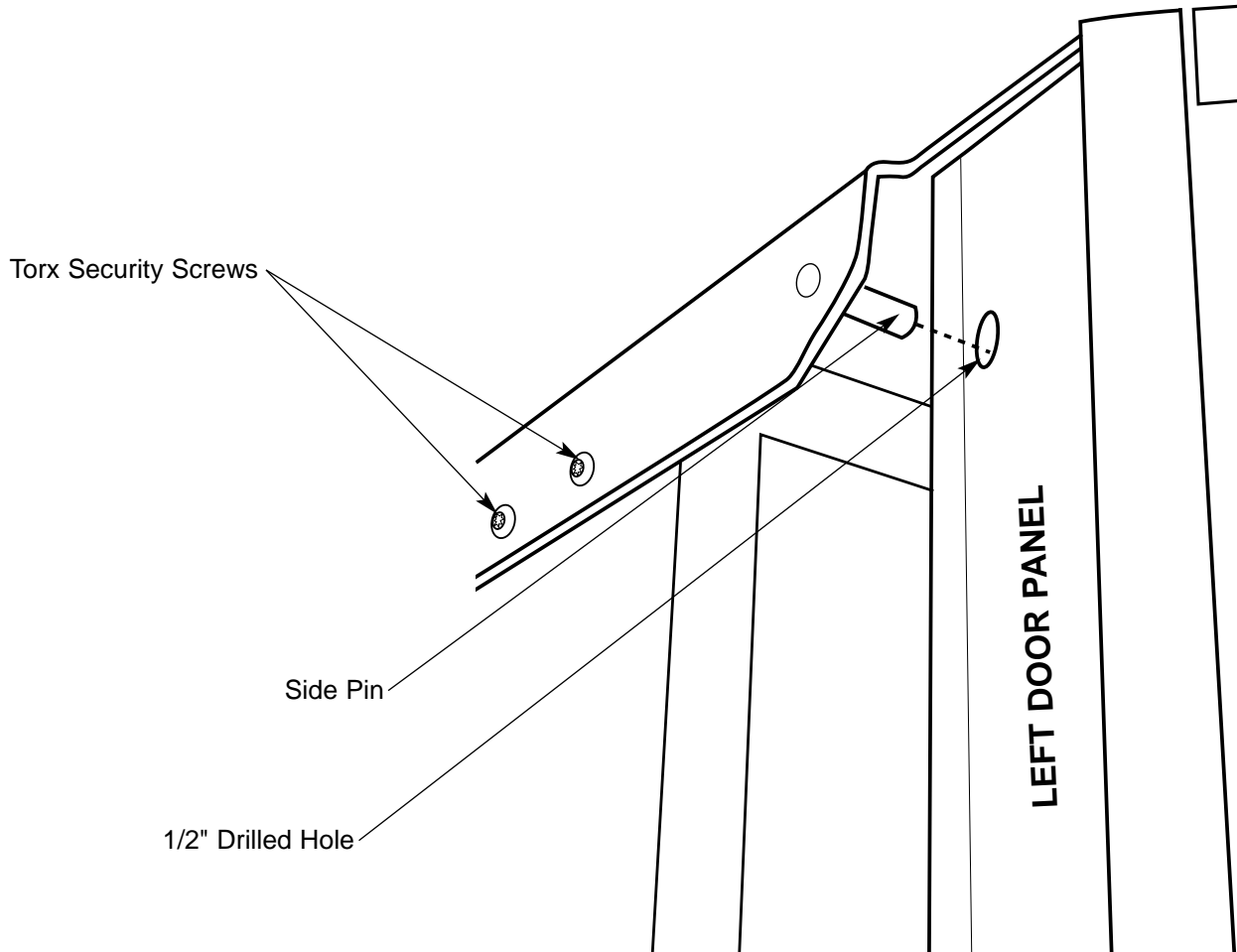
DATE: 8-8-01

REVISION: 01

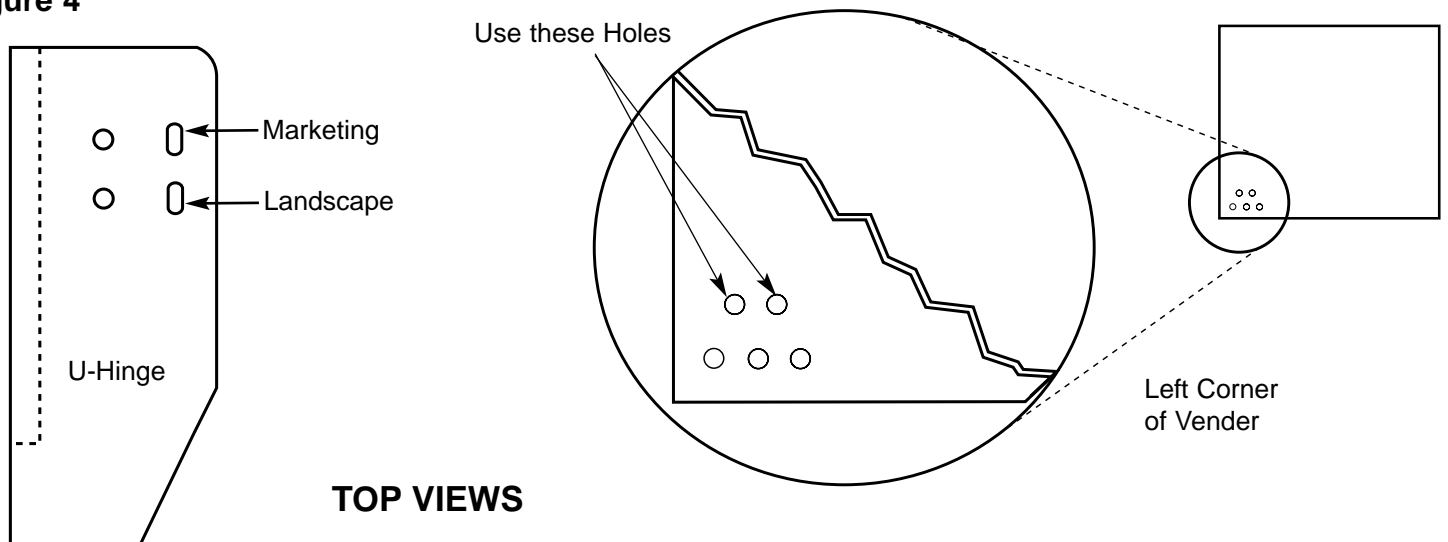
**SUBJECT:** U-hinge Retrofit Procedure

**MODELS:** GIII & Marketing

**Figure 3**



**Figure 4**



**TOP VIEWS**

**ANY QUESTIONS??? CONTACT ROYAL VENDORS' CUSTOMER SERVICE DEPARTMENT  
CALL TOLL FREE (800) 931-9214**