



SERVICE BULLETIN # 00224

201 INDUSTRIAL BOULEVARD • KEARNEYSVILLE, WV 25430

Phone: (304) 728-7056 • Fax: (304) 725-6579 • Toll Free: (800) 931-9214

PAGE: 1 of 1

DATE: 6-27-01

REVISION: 00

SUBJECT: Installation of an Adjustable Coin Lever Assembly

MODELS: GIII Landscape CDC, Marketing

KIT NUMBER

KIT DESCRIPTION

161593

Adjustable Coin Lever Assembly, Landscape CDC

291529

Adjustable Coin Lever Assembly, Marketing

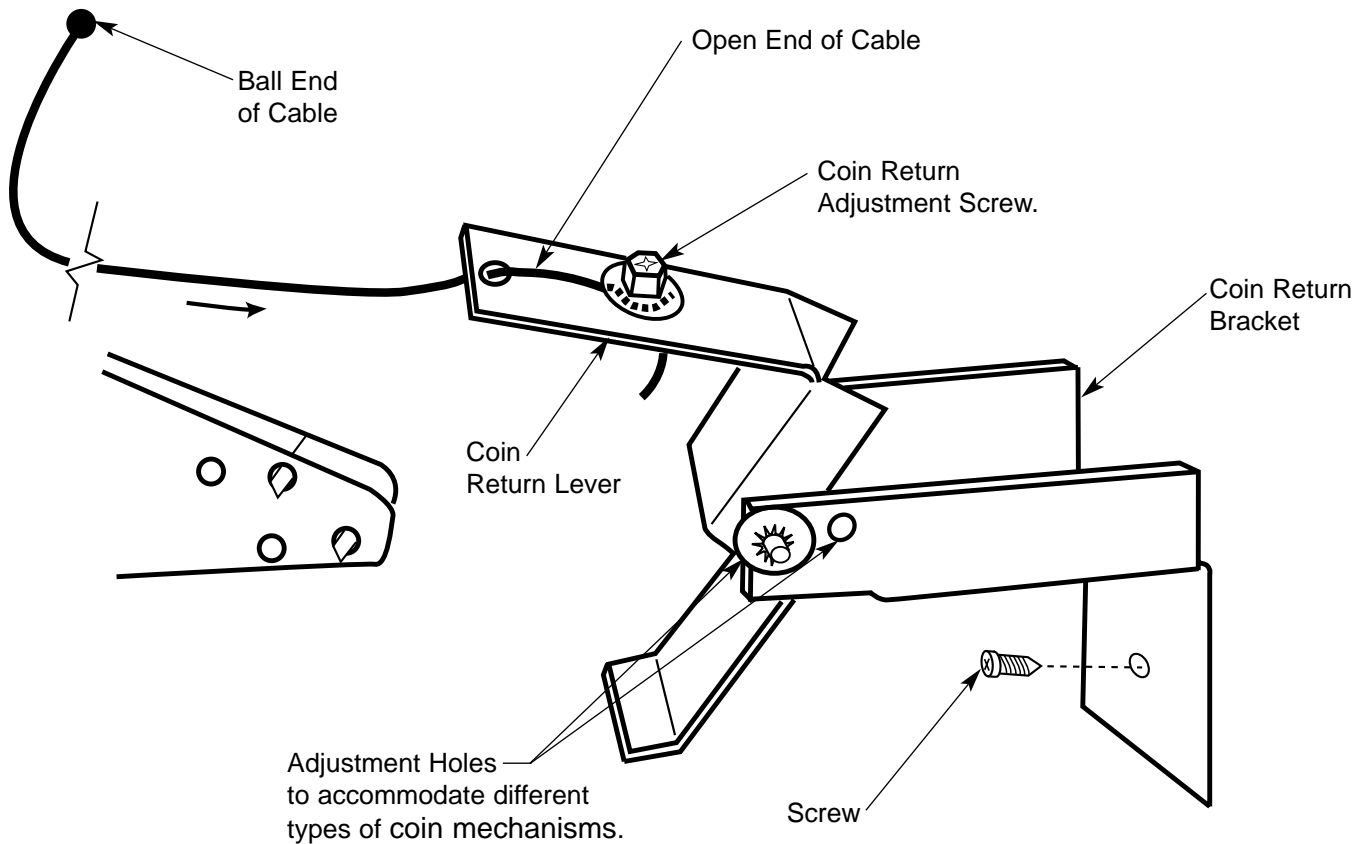
Tools Required: Wire Cutters, Phillips Screwdriver

Estimated Installation Time: 5 Minutes

REASON FOR BULLETIN: To retrofit a vender with the new coin return hinge bracket to accommodate different types of coin mechanisms.

INSTALLATION INSTRUCTIONS:

1. Remove power from vender by unplugging vender's main power cord from the AC voltage power source.
2. Remove existing cable by cutting the end loops.
3. Remove the existing coin hinge return bracket by removing the screw. **Note:** Some changers may need to be removed to extract the coin return bracket.
4. Install the new coin return hinge bracket in the same manner as it has been removed.
5. Route the new cable in the same manner as the previous cable. The open end should feed through the hole in the bottom lever hinge first then through the holes of the coin return lever as shown below.
6. Adjust cable to assure the coin return lever makes proper contact with the coin mechanisms' escrow lever, then tighten adjustment screw.



ANY QUESTIONS??? CONTACT ROYAL VENDORS' CUSTOMER SERVICE DEPARTMENT
CALL TOLL FREE (800) 931-9214