



SERVICE BULLETIN 221

426 Industrial Boulevard • Kearneysville WV 25430-2776 • USA
 Telephone: +1 304 728 7056 • technicalinquiry@royalvendors.com
 Toll-free in North America: 1 800 931 9214 • Fax: +1 304 725 4016
 Canada: +1 905 738 5777 • Mexico: +52 55 5203 6887
 Europe: +49 2158 95 1000 • Australia: +61 2 9890 5433

Page: 1 of 1

Date: 20 Jun 2002

Revision: 02

SUBJECT: Validator Security Mask Kit

Number of
People
Required



MODELS: GIII Landscape and Merlin IV

KIT NUMBER

KIT DESCRIPTION

231195	Validator Security Mask Kit, CoinCo Validator- GIII Landscape
231196	Validator Security Mask Kit, Mars Validator- GIII Landscape
261195	Validator Security Mask Kit, CoinCo Validator- MIV
261196	Validator Security Mask Kit, Mars Validator- MIV

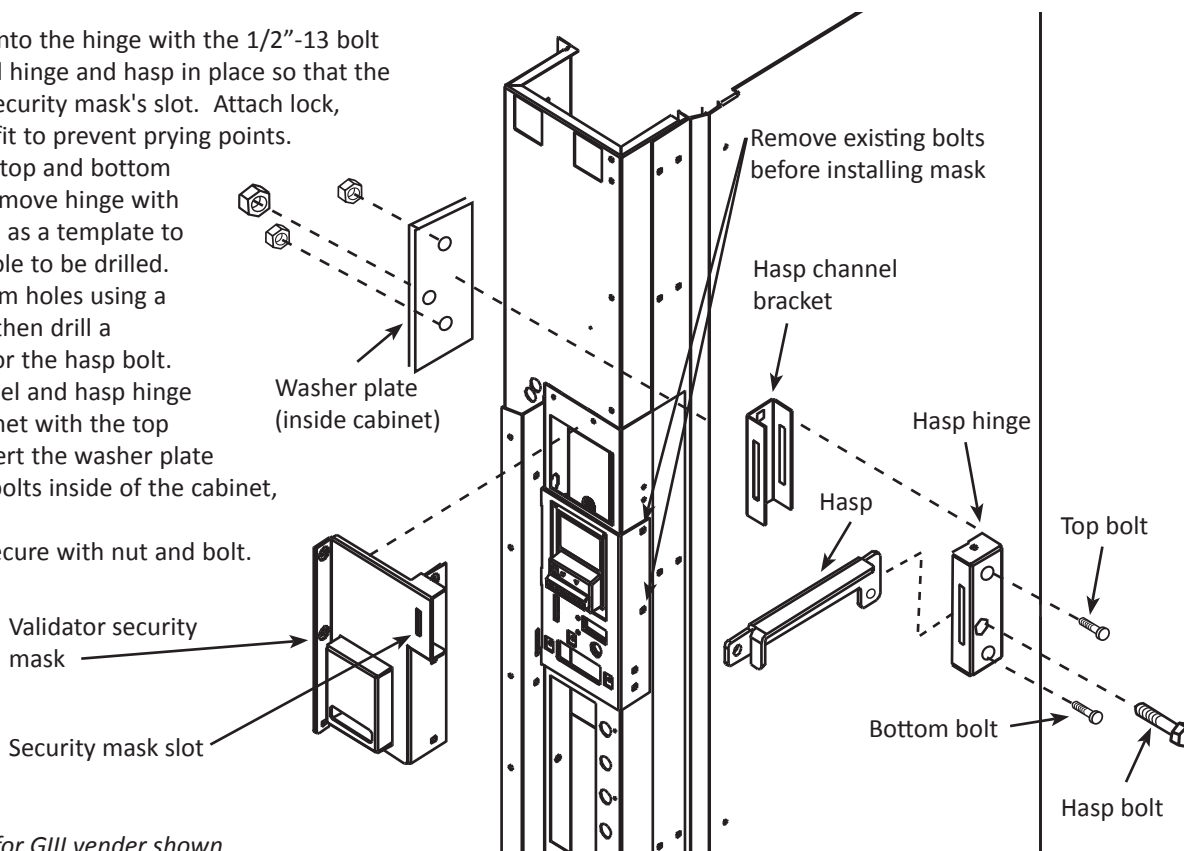


The following areas of this vender contain voltage which can cause serious injury or even death: the main power cord, supplying 115-230 VAC to the evaporator, EMI filter, refrigeration system, monitor, and computer; the power line from the EMI filter to the ballast and transformer; and the ballast, which can produce upwards of 600 volts. Remove all power from the vender before working in any of these areas.

REASON FOR BULLETIN: The Validator Security Mask is designed to protect the validator from the front of the vender and to prevent vandals from prying open the door to access the validator.

INSTRUCTIONS:

1. Remove power from vender by unplugging vender's main power cord from the AC voltage power source.
2. Remove the existing bolts along the select panel area of the validator.
3. Hold the validator security mask in place and mark holes to be drilled. Remove mask.
4. Drill holes using 9/32" (0.281") drill bit.
5. Mount the validator security mask and secure with nuts and bolts.
6. Close door tightly.
7. Insert the hasp (arm) into the hinge with the 1/2"-13 bolt intersecting both. Hold hinge and hasp in place so that the hasp mates with the security mask's slot. Attach lock, make sure it is a tight fit to prevent prying points. Level hasp, then mark top and bottom holes to be drilled. Remove hinge with hasp. Use the channel as a template to locate the hasp bolt hole to be drilled.
8. Drill the top and bottom holes using a 3/8" (0.375") drill bit, then drill a 9/16" (0.5625") hole for the hasp bolt.
9. Mount the hasp channel and hasp hinge to the side of the cabinet with the top and bottom bolts. Insert the washer plate to the corresponding bolts inside of the cabinet, then secure with nuts.
10. Attach the hasp and secure with nut and bolt.



Note: Coinco validator kit for GIII vender shown.

In an effort to provide our customers with the latest information on our equipment, Royal Vendors sends service bulletins to customers using the original ship-to address or e-mail addresses, if supplied by our customers. We also post all service bulletins on our website at www.royalvendors.com. If for any reason a vender is moved to another location or is sold to another customer other than to whom Royal Vendors originally sent the machine, it is the responsibility of the original purchaser of the vender to notify the appropriate personnel of the service bulletin.

**ANY QUESTIONS? CONTACT ROYAL VENDORS' CUSTOMER SERVICE DEPARTMENT
 IN NORTH AMERICA, CALL TOLL FREE 1 800 931 9214**