



# SERVICE BULLETIN #210

201 INDUSTRIAL BOULEVARD • KEARNEYSVILLE, WV 25430

Phone: (304) 728-7056 • Fax: (304) 725-6579 • Toll Free: (800) 931-9214

PAGE: 1 of 1

DATE: 2-19-01

REVISION: 01

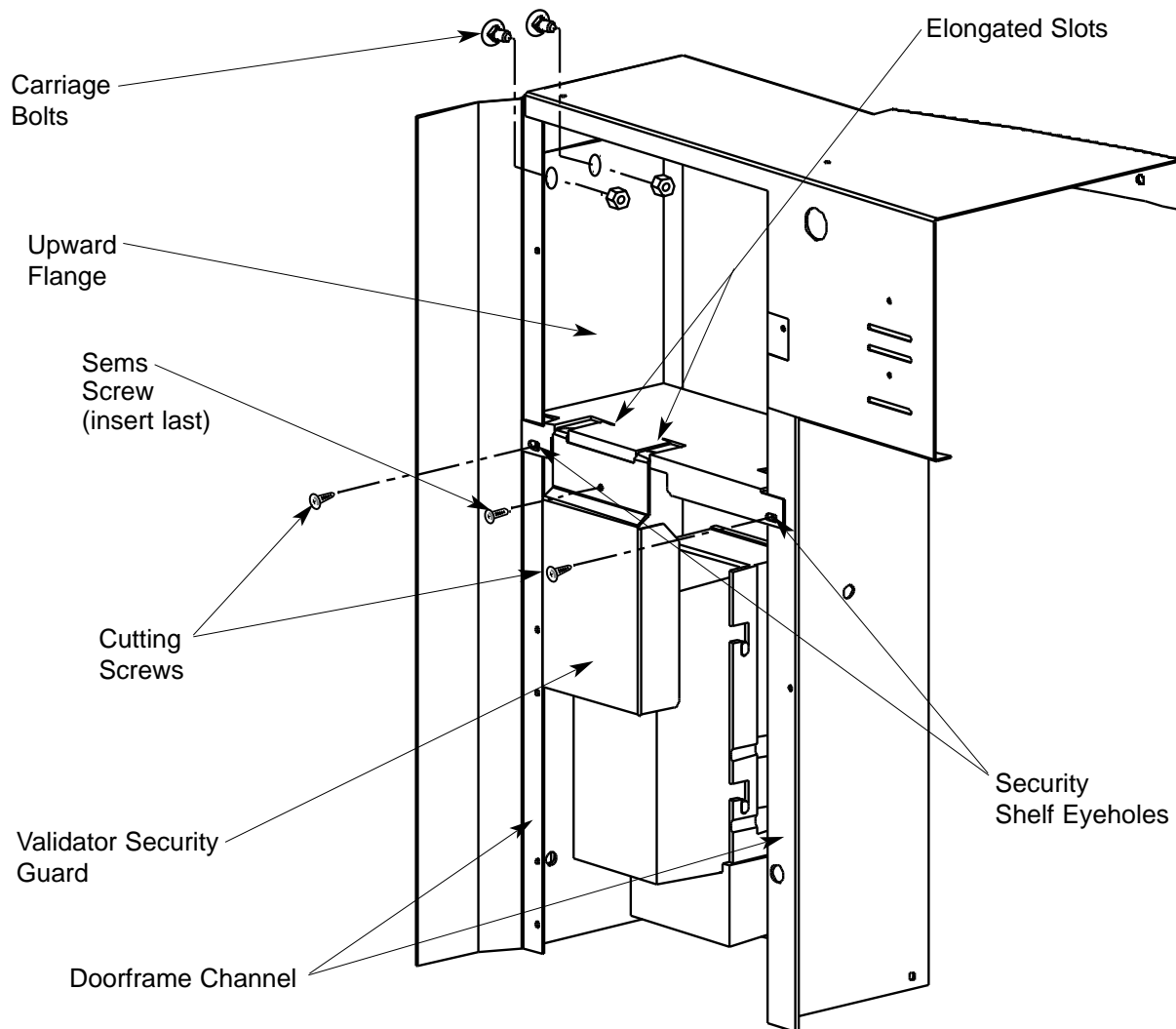
**SUBJECT:** Installation of a Validator Security Shelf with Guard (MIV)

**MODELS:** MIV Venders (except 72" Non CDC)

| Kit Number | Kit Description                  |
|------------|----------------------------------|
| 012183     | MIV Validator Security Shelf Kit |

## INSTRUCTIONS:

1. Remove power from vender by unplugging vender's main power cord from the AC voltage power source (wall outlet).
2. Remove the top 2 carriage bolts for a 72" vender **or** the second row of carriage bolts for a 79" vender.
3. Insert the validator guard so that the upward flange lines up with the carriage bolts.
4. For CDC venders, two 1/8" holes will need to be drilled into the doorframe channel that corresponds to the security shelf's eyeholes. **Note:** *Non-CDC venders already have holes pre-punched.*
5. Insert two self-drilling screws (902004) to the corresponding eyeholes of the security shelf to the doorframe channel.
6. Tighten the carriage bolt nuts.
7. Insert the tabs of the validator security guard into the elongated slots of the security shelf.
8. Insert the sems screw (901011) to the validator security guard.
9. Remove the validator hole plate, located on the inner door above the t-handle hole.



**ANY QUESTIONS???** CONTACT ROYAL VENDORS' CUSTOMER SERVICE DEPARTMENT  
**CALL TOLL FREE (800) 931-9214**