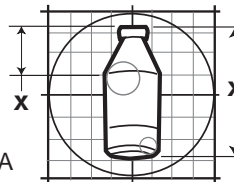




020

Package Vending Specification



Page: 1 of 1

Date: 21 Aug 07

Revision: 03

426 Industrial Boulevard • Kearneysville WV 25430-2776 • USA
Telephone: +1 304 728-7056 • Fax: +1 304 725-6579

PRODUCT NAME: 500 mL Poland Springs Water (tall)

BOTTLER / COMPANY: Perrier

VOLUME: 500 mL / 16.9 oz.

PACKAGE TYPE: PET

HEIGHT: 8.50 in. / 21.6 cm

DIAMETER: 2.50 in. / 6.4 cm

WEIGHT: 1.18 lbs. / 0.54 kg

COUNTRY OF ORIGIN: USA



APPROVED VENDERS

| VENDER | RETAINERS | | 79" CAPACITY | |
|---------------|-----------|------|--------------|------|
| | Front | Rear | Front | Rear |
| MIV Airflow* | 6 | 4 | 34 | 34 |
| MIV (regular) | 7 | 5 | 34 | 34 |
| TDV | 6 | 6 | 36 | 72 |
| EZ | 16 | N/A | 58 | N/A |

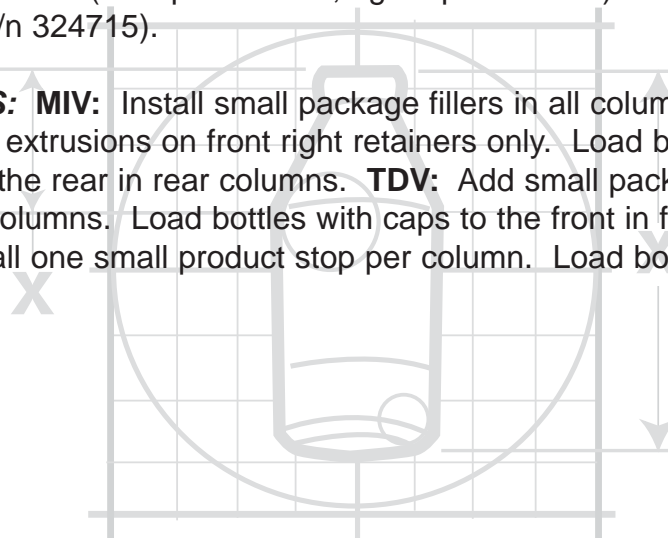
* - Serial number 200422XX00001 and after.

KITS / PARTS: **Merlin IV:** Small package filler (p/n 256101), divider extrusion on right center divider (72": p/n 815234; 79": p/n 815233), divider extrusion on left center divider (p/n 815673), retainer extrusion on right column retainer (72": p/n 815255; 79": p/n 815256).

TDV: Small package product stop (front: p/n 296740; rear: p/n 296741), small package retainer (left: p/n 296738; right: p/n 296739).

EZ: Small product stop (p/n 324715).

SPECIAL INSTRUCTIONS: **MIV:** Install small package fillers in all columns. Attach extrusions to center dividers. Use black extrusions on front right retainers only. Load bottles with caps to the front in front columns and caps to the rear in rear columns. **TDV:** Add small package product stops and small package retainers in rear columns. Load bottles with caps to the front in front columns and butt-to-butt in rear columns. **EZ:** Install one small product stop per column. Load bottles butt-to-butt.



**ANY QUESTIONS? CONTACT ROYAL VENDORS' CUSTOMER SERVICE DEPARTMENT
IN NORTH AMERICA, CALL TOLL FREE 1 800 931-9214**