



# SERVICE BULLETIN # 00020

201 INDUSTRIAL BOULEVARD • KEARNEYSVILLE, WV 25430

Phone: (304) 728-7056 • Fax: (304) 725-6579 • Toll Free: (800) 931-9214

PAGE: 1 of 1

DATE: 8-16-00

REVISION: 03

**SUBJECT:** Installation of Pepsi Lock Cover

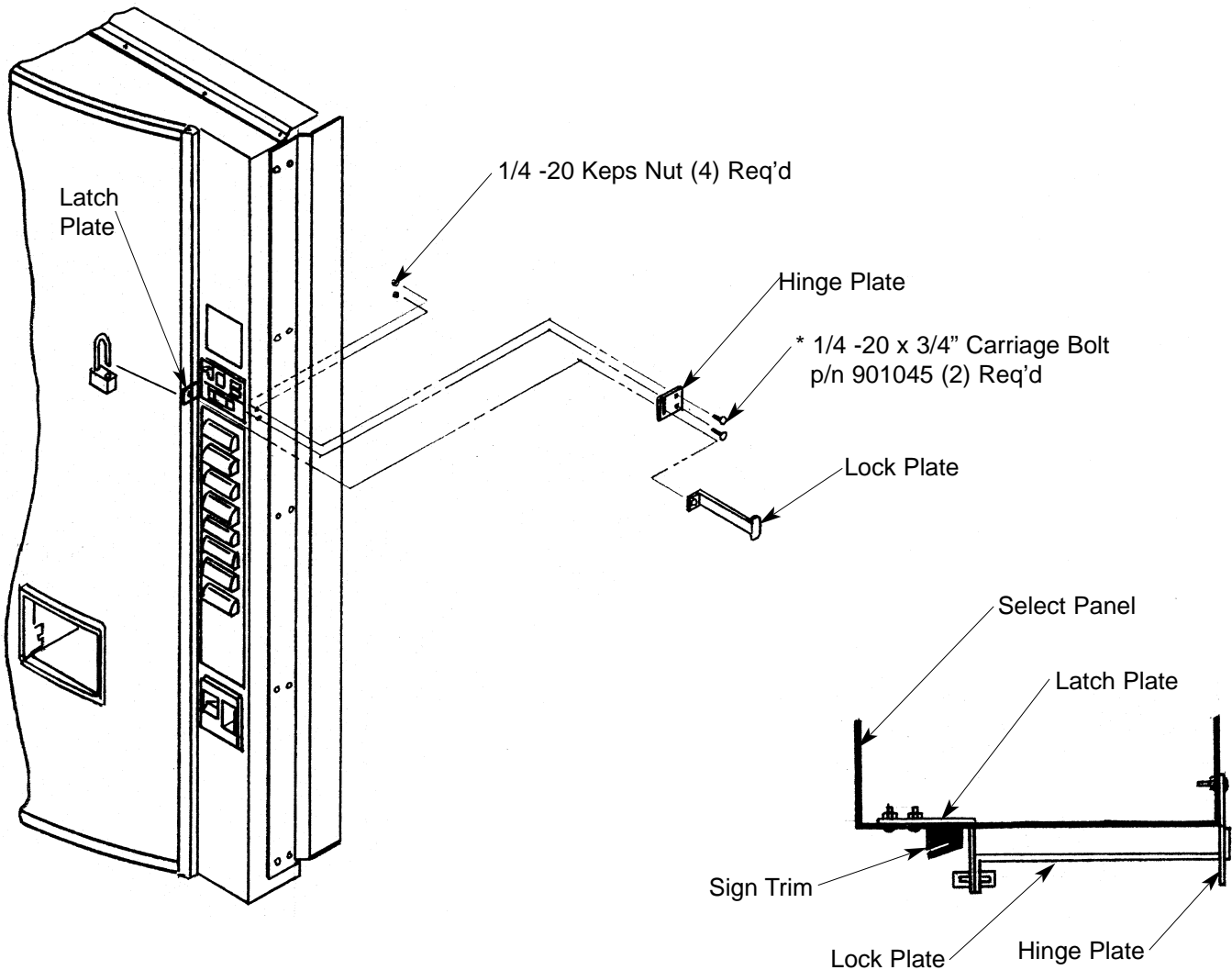
**MODELS:** Pepsi Venders

KIT NUMBER	KIT DESCRIPTION
012130	Pepsi Lock Cover Kit

**BEFORE WORKING ON VENDER:** Remove power from vender by unplugging vender's main power cord from the AC voltage power source (wall outlet).

Notes:

1. Slot cover is to be removed prior to lock cover installation.
2. Replace the (2) identified 1/4"-20 Carriage bolts (see "\*" ) from the kit. Use the stock Keps nuts.



**ANY QUESTIONS???** CONTACT ROYAL VENDORS' CUSTOMER SERVICE DEPARTMENT  
CALL TOLL FREE (800) 931-9214