



SERVICE BULLETIN #207

201 INDUSTRIAL BOULEVARD • KEARNEYSVILLE, WV 25430

Phone: (304) 728-7056 • Fax: (304) 725-6579 • Toll Free: (800) 931-9214

PAGE: 1 of 1

DATE: 2-19-01

REVISION: 02

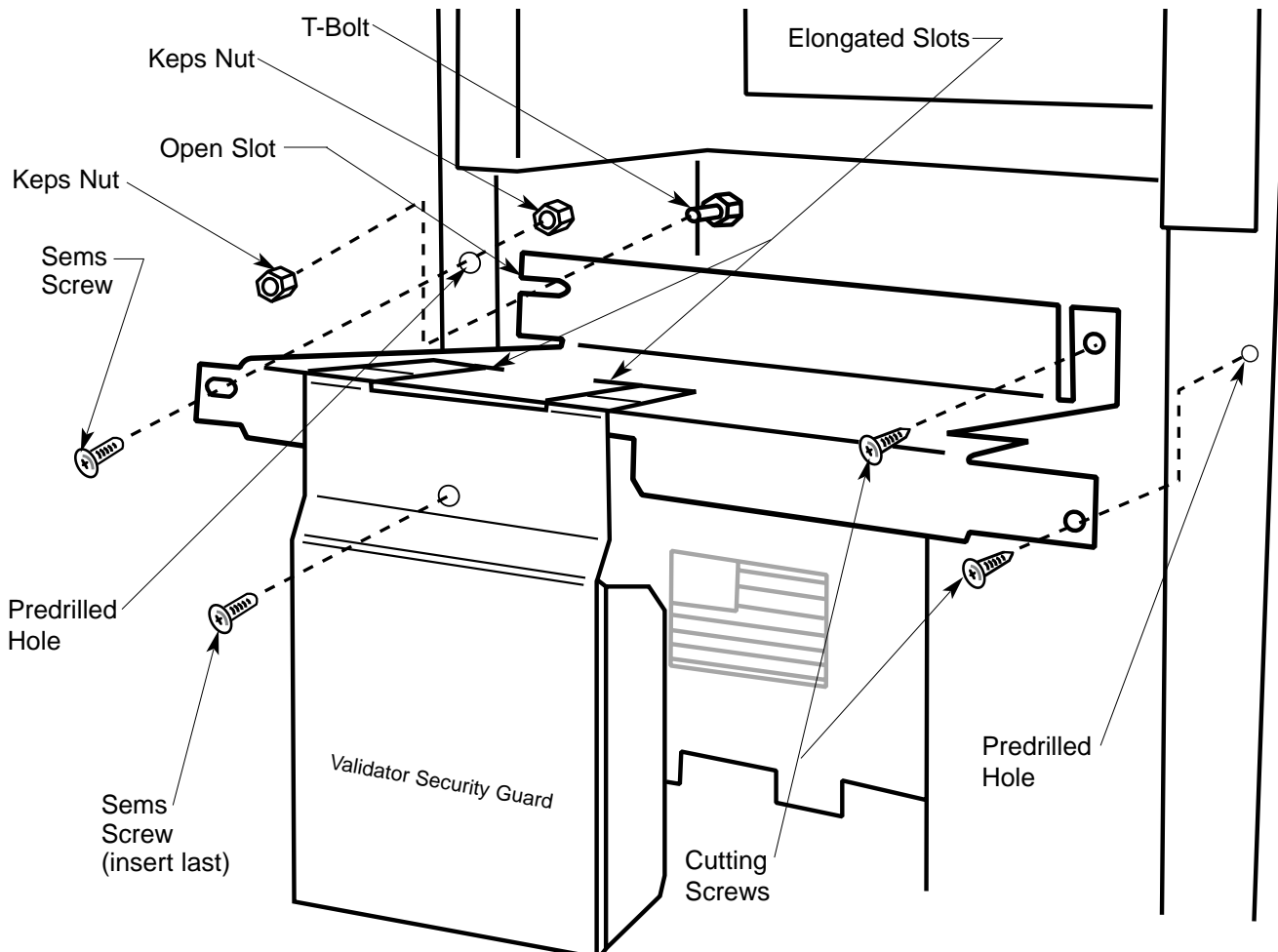
SUBJECT: Installation of a Validator Security Shelf with Guard

MODELS: GIII Lanscape Venders

Royal P/N	Coke P/N	Kit Description
303111	519114	Validator Security Shelf Kit

INSTRUCTIONS:

1. Remove power from vender by unplugging vender's main power cord from the AC voltage power source (wall outlet).
2. Remove control board cover (if present).
3. Remove harnesses from the control board (write down where the harnesses connect to the control board)
5. Insert the validator guard so that the open slot is positioned over the t-bolt; add keps nut.
6. Insert a sems screw into the left side of the door-frame channel to the corresponding predrilled hole; add keps nut.
7. Insert a cutting screw into the right side of the door-frame channel to the other predrilled hole.
8. Tighten the keps nut to the t-bolt.
9. Insert a cutting screw into the back of the door-frame channel.
10. Insert the tabs of the validator security guard into the elongated slots of the security shelf.
11. Insert the sems screw to the validator security guard.
12. Reconnect the harnesses to the control board (run wires through the open sides of the validator shelf).
13. Reinstall control board cover.
14. Remove the validator hole plate, located on the inner door above the t-handle hole.



**ANY QUESTIONS??? CONTACT ROYAL VENDORS' CUSTOMER SERVICE DEPARTMENT
CALL TOLL FREE (800) 931-9214**