



SERVICE BULLETIN # 00206

201 INDUSTRIAL BOULEVARD • KEARNEYSVILLE, WV 25430

Phone: (304) 728-7056 • Fax: (304) 725-6579 • Toll Free: (800) 931-9214

PAGE: 1 of 1

DATE: 6-19-00

REVISION: 00

SUBJECT: Shims to vend 12 oz. Cans using a 12 oz. Can Rotor in a 16 oz. 3DP Vender

MODELS: 16 oz. 3DP Vender

Kit Number

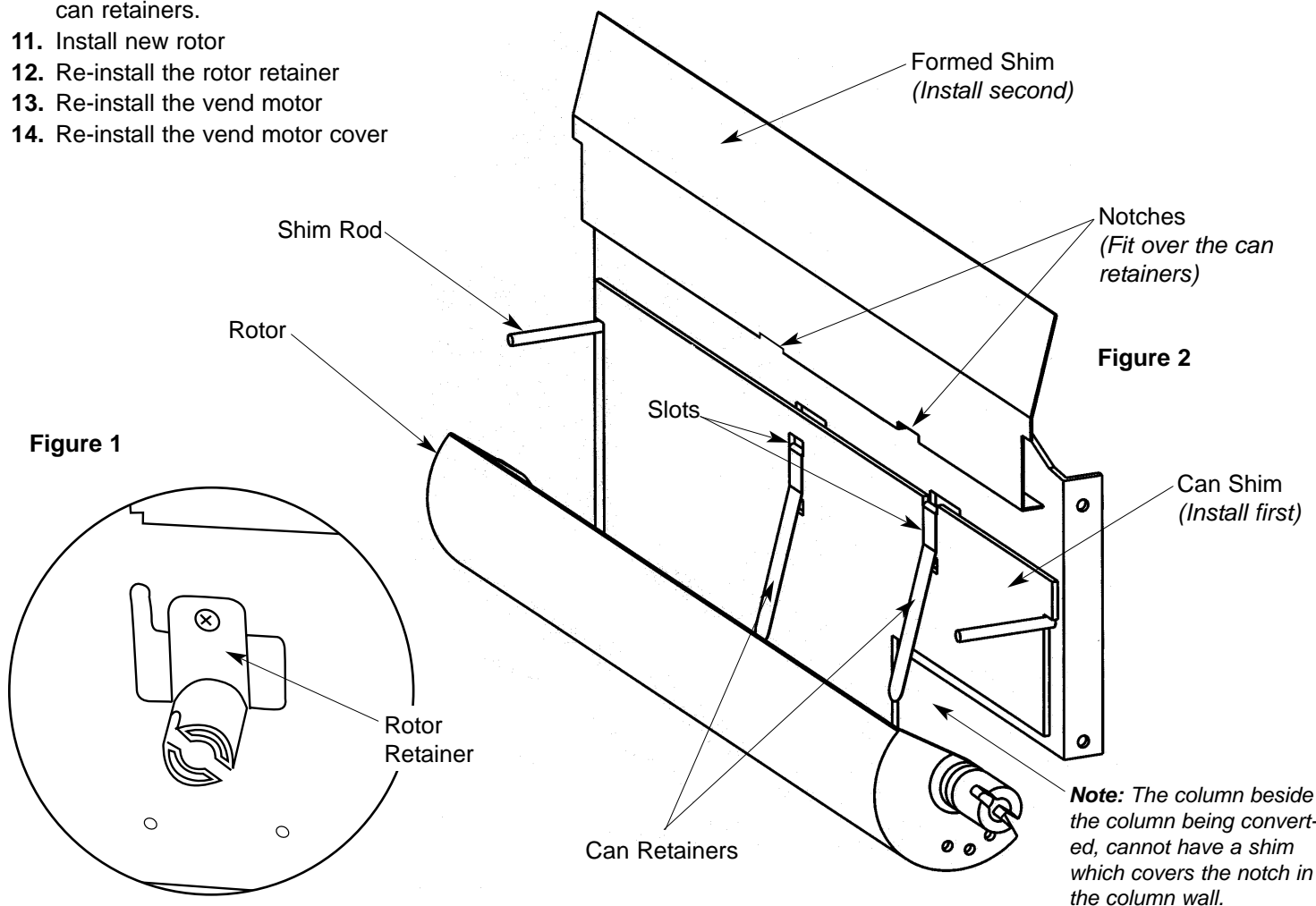
Kit Description

058146

12 Oz.Can Kit for 16 oz 3DP Vender

INSTRUCTIONS:

1. Power down the vender
2. Remove product from the column being converted
3. Remove the vend motor cover (1 screw)
4. Remove the vend motor to the corresponding column (4 screws)
5. Remove the rotor retainer from the mechanism plate (1 screw), which holds the rotor in place. *see figure 1*
6. Remove the can retainers from the column
7. Remove existing rotor
8. Insert the can retainers into the slots of the can shim. *see figure 2*
9. Place the can shim against the column wall, make sure the shim rests on the shim rods
10. Install the formed shim above the flat shim, so that it rests on the shim rods and that the notches fit over the can retainers.
11. Install new rotor
12. Re-install the rotor retainer
13. Re-install the vend motor
14. Re-install the vend motor cover



**ANY QUESTIONS??? CONTACT ROYAL VENDORS' CUSTOMER SERVICE DEPARTMENT
CALL TOLL FREE (800) 931-9214**