



# SERVICE BULLETIN # 00205

201 INDUSTRIAL BOULEVARD • KEARNEYSVILLE, WV 25430

Phone: (304) 728-7056 • Fax: (304) 725-6579 • Toll Free: (800) 931-9214

PAGE: 1 of 1

DATE: 7-9-01

REVISION: 03

**SUBJECT:** Coin Box Housing Kit Installation

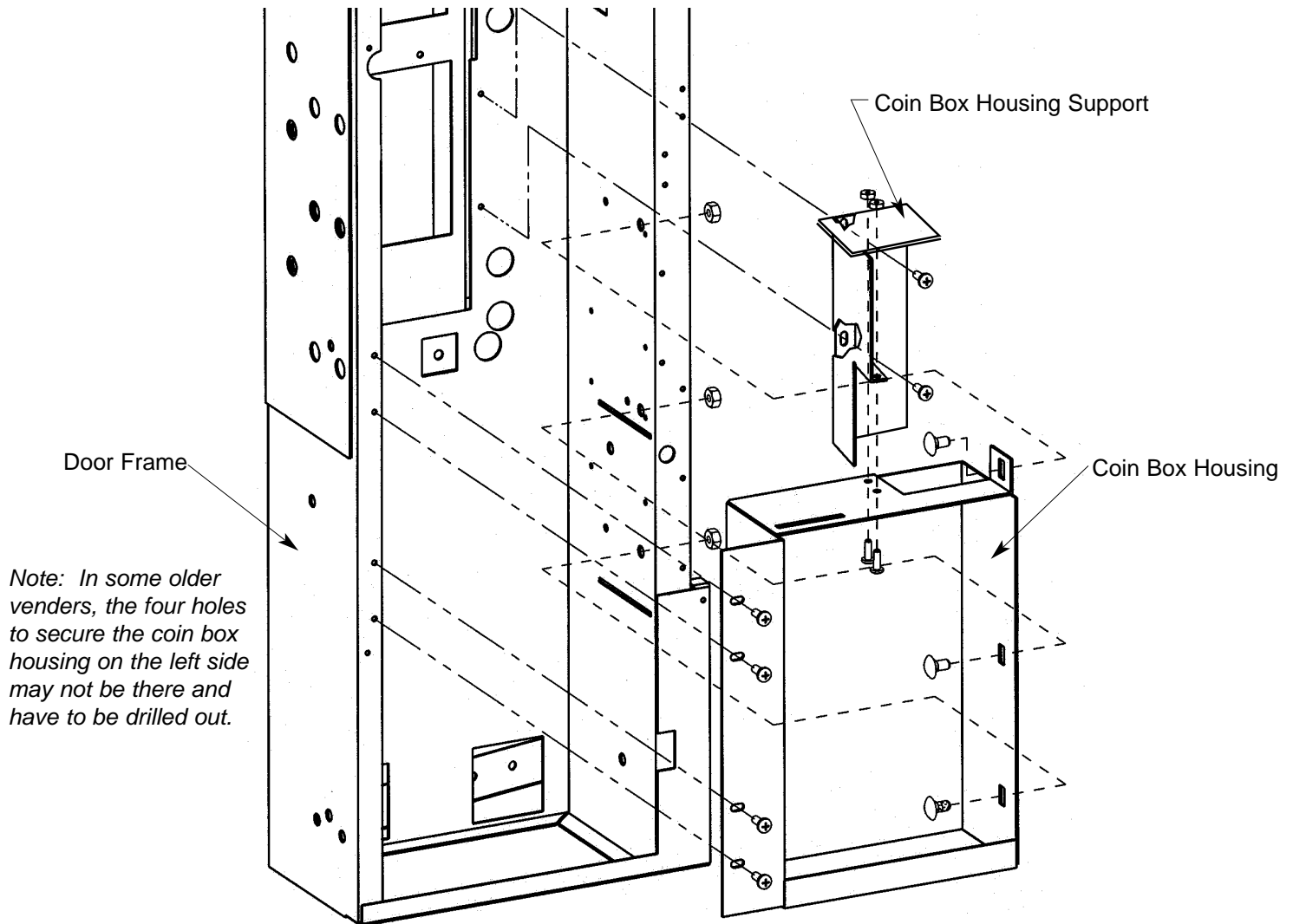
**MODELS:** Non CDC Venders, RVCC(E), RVMC(E), RVCD(E)

Kit Number	Kit Description
141141	Coin Box Housing Kit, RVCC(E)
261143	Coin Box Housing Kit, RVMC(E), RVCD(E)

**REASON FOR FIX:** To prevent vandals from punching out the coin cup and taking the coins from the coin box.

## INSTRUCTIONS:

1. Remove power from vender by unplugging vender's main power cord from the AC voltage power source.
2. Attach the coin box housing support to the coin box housing with 2 sems screws and nuts.
3. Attach the coin box housing to the door frame with 4 sems screws on the left side of the housing and 3 Carriage Bolts and nuts on the right side.
4. Secure the housing support to the door frame with two sems screws.



*Note: In some older venders, the four holes to secure the coin box housing on the left side may not be there and have to be drilled out.*

**ANY QUESTIONS??? CONTACT ROYAL VENDORS' CUSTOMER SERVICE DEPARTMENT  
CALL TOLL FREE (800) 931-9214**