



# SERVICE BULLETIN # 00203

201 INDUSTRIAL BOULEVARD • KEARNEYSVILLE, WV 25430

Phone: (304) 728-7056 • Fax: (304) 725-6579 • Toll Free: (800) 931-9214

PAGE: 1 of 3

DATE: 5-23-00

REVISION: 00

**SUBJECT:** Installation of a Cash-Bag Guard

**MODELS:** All C.D.C. Venders

KIT NUMBER	KIT DESCRIPTION
273106	Cash-Bag Guard Kit

*Reason for Bulletin:* To reduce cash bag theft through the rear of the vender.

## Instructions:

- 1) Remove cash box housing from the vender (4 screws hold the coin-box housing in place).
- 2) Position the template (figs. 3 & 4) over the side of the housing and align with sides.
- 3) Using a center punch, punch drill-centers through the center-marks on the drill templates (attached to this bulletin).
- 4) Drill holes using a .130" (3.3 mm) drill bit.
- 5) Fasten cash-bag guard into place with the 8-32 self tapping screws provided.
- 6) Reinstall the coin box housing.

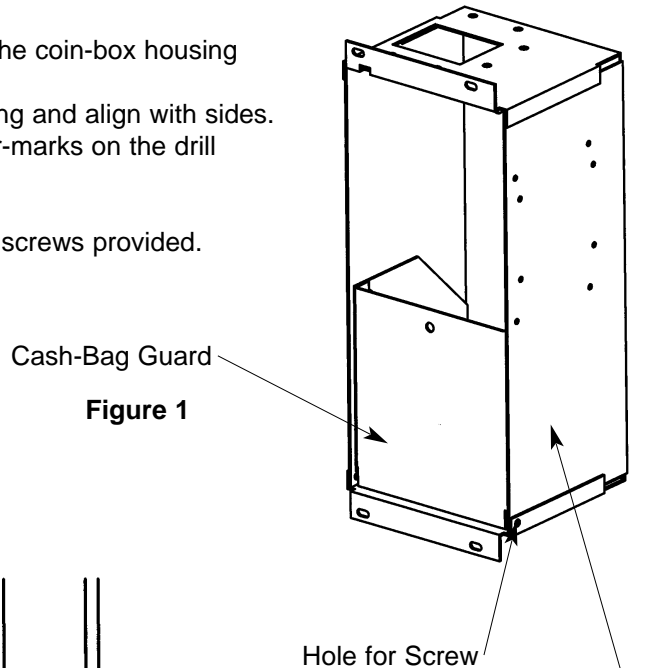


Figure 1

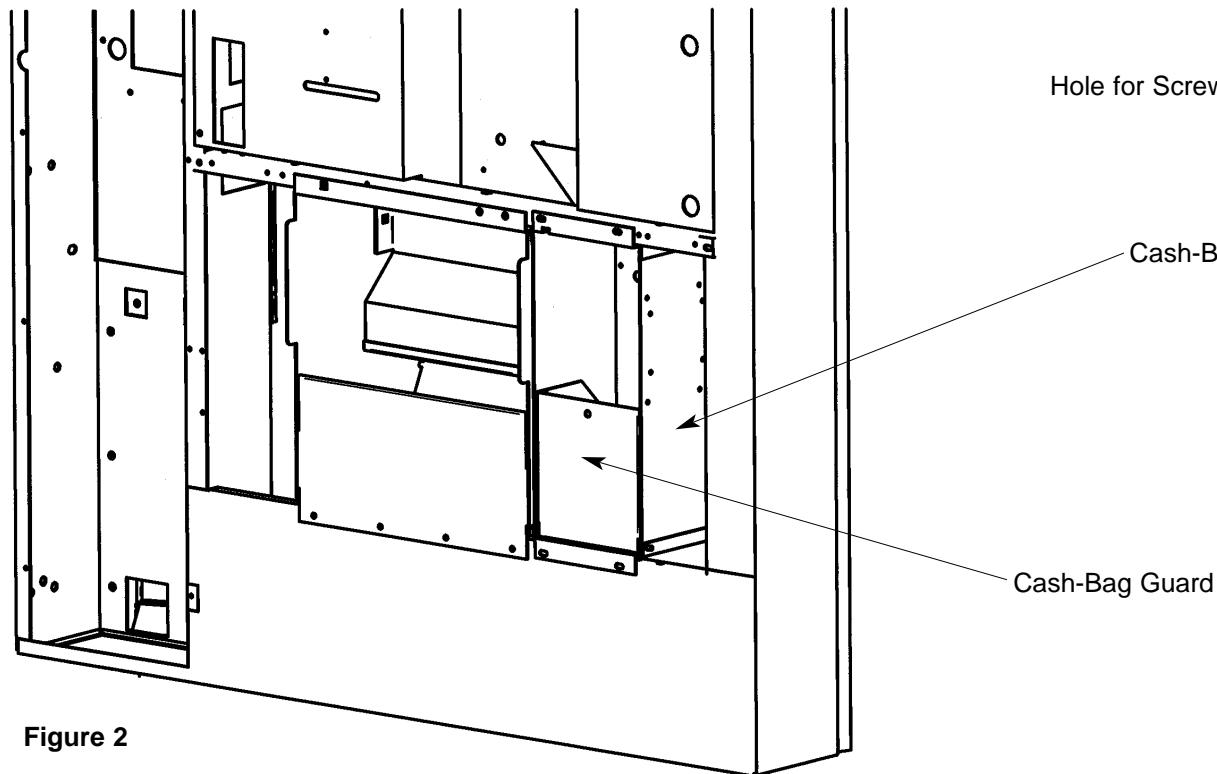


Figure 2

**ANY QUESTIONS??? CONTACT ROYAL VENDORS' CUSTOMER SERVICE DEPARTMENT  
CALL TOLL FREE (800) 931-9214**



# SERVICE BULLETIN # 00203

201 INDUSTRIAL BOULEVARD • KEARNEYSVILLE, WV 25430  
Phone: (304) 728-7056 • Fax: (304) 725-4728 • Toll Free: (800) 931-9214

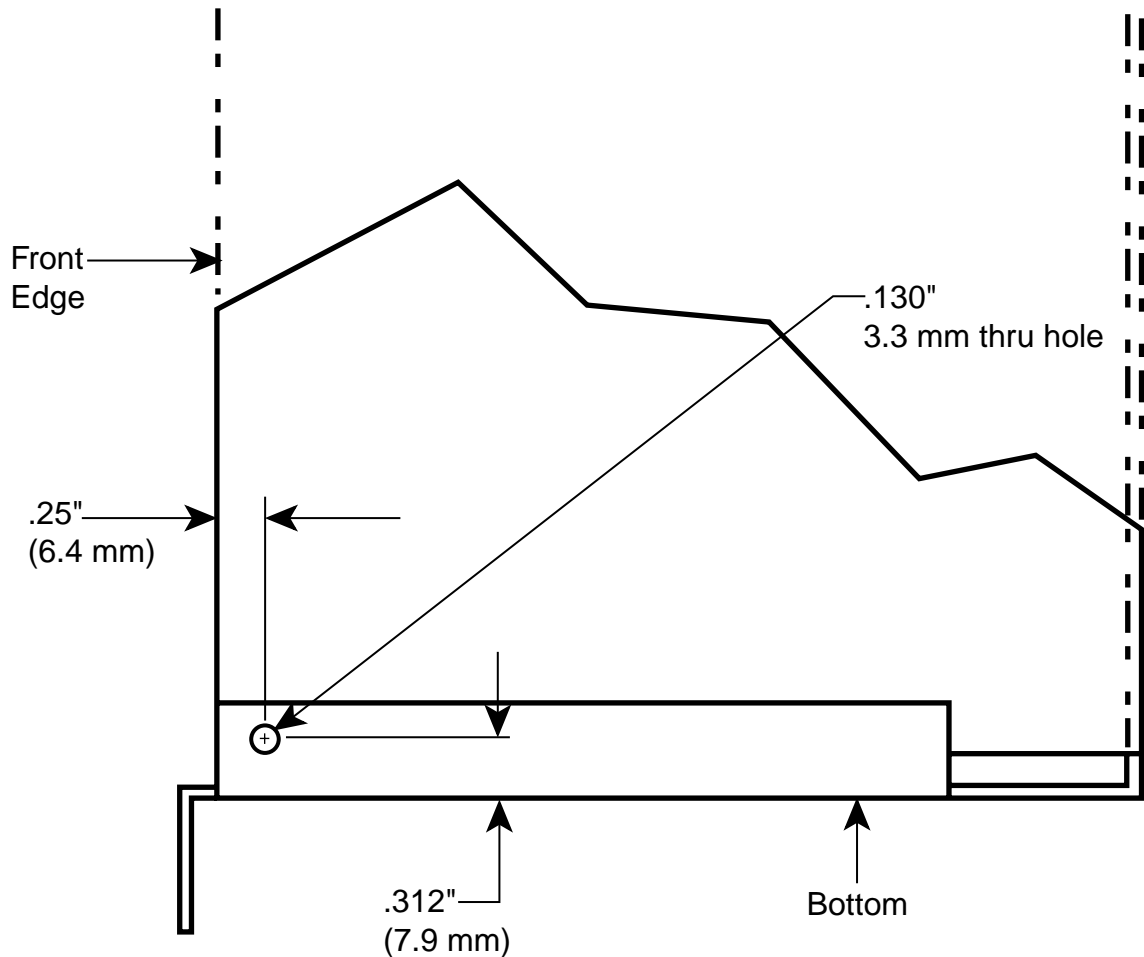
PAGE: 2 of 3
DATE: 5-23-00
REVISION: 00

**SUBJECT:** Installation of a Cash-Bag Guard

**MODELS:** All C.D.C. Venders

## RIGHT SIDE DRILL TEMPLATE

Figure 3



**Note:** Align template with front and bottom edges of housing prior to drilling. It may help to fold or cut the template.

**ANY QUESTIONS???** CONTACT ROYAL VENDORS' CUSTOMER SERVICE DEPARTMENT  
CALL TOLL FREE (800) 931-9214



# SERVICE BULLETIN # 00203

201 INDUSTRIAL BOULEVARD • KEARNEYSVILLE, WV 25430

Phone: (304) 728-7056 • Fax: (304) 725-4728 • Toll Free: (800) 931-9214

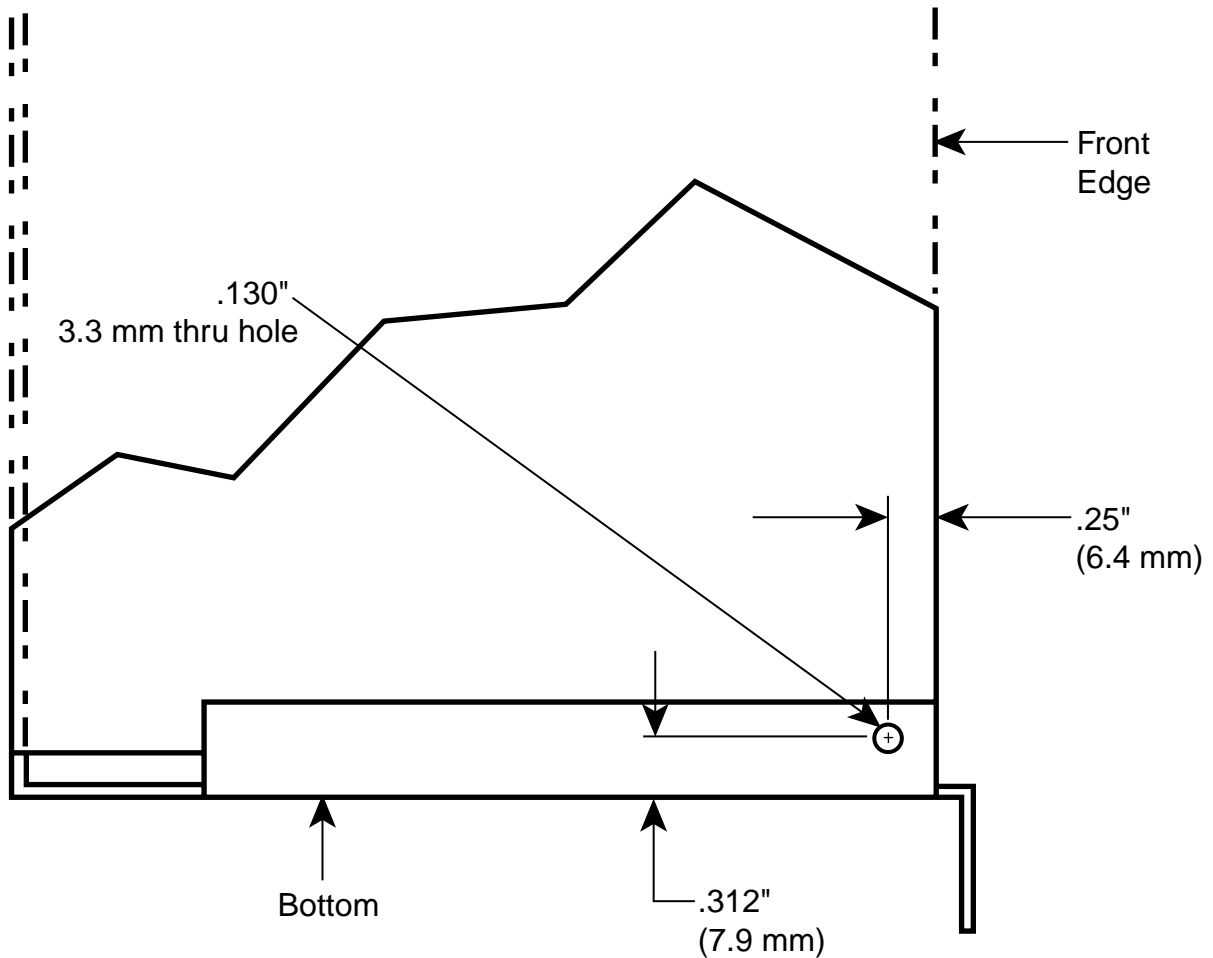
PAGE: 3 of 3
DATE: 5-23-00
REVISION: 00

**SUBJECT:** Installation of a Cash-Bag Guard

**MODELS:** All C.D.C. Venders

## LEFT SIDE DRILL TEMPLATE

Figure 4



**Note:** Align template with front and bottom edges of housing prior to drilling. It may help to fold or cut the template.

**ANY QUESTIONS??? CONTACT ROYAL VENDORS' CUSTOMER SERVICE DEPARTMENT  
CALL TOLL FREE (800) 931-9214**