



SERVICE BULLETIN # 00197

201 INDUSTRIAL BOULEVARD • KEARNEYSVILLE, WV 25430

Phone: (304) 728-7056 • Fax: (304) 725-6579 • Toll Free: (800) 931-9214

PAGE: 1 of 1

DATE: 8-23-00

REVISION: 01

SUBJECT: Coin Box Clip with Lock (for the Plastic Coin Box)

MODELS: CDC Venders (MIV, GIII and Marketing)

KIT NUMBER	KIT DESCRIPTION
812195	Coin Box Lock, Prior to Serial Number 20009AA00439 (Metal Coin Box)
011535	Coin Box Clip with Lock, Serial Number 20009AA00439 and after (Plastic Coin Box)

Reason for Bulletin: New plastic coin box uses a different lock than the metal coin box.

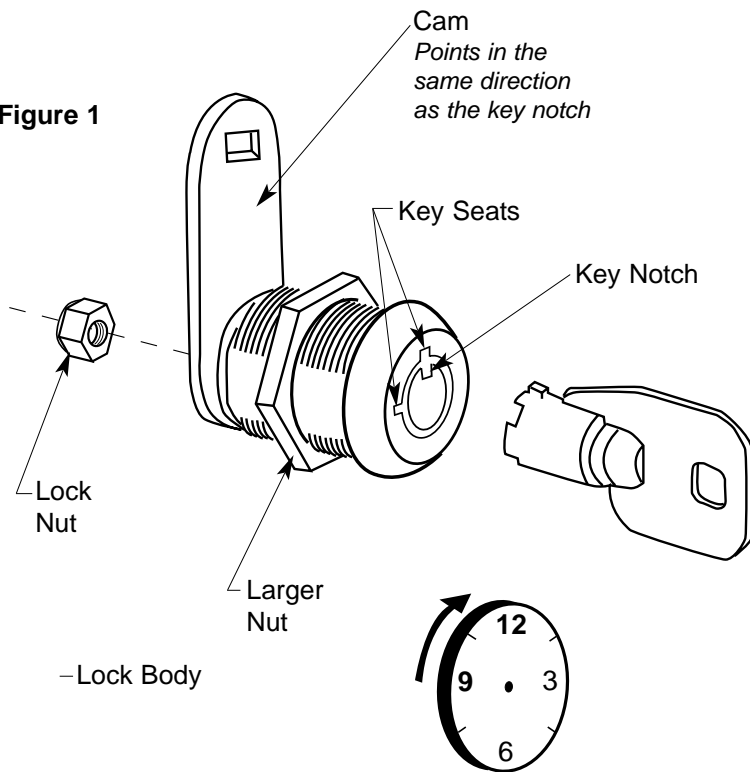
Instructions:

1. Remove power from vender by unplugging vender's main power cord from the AC voltage power source (wall outlet).
2. If vender was built prior to serial number 20009AA00439, replace old coin box housing with a revised coin box housing 273503 (landscape) or 290526 (marketing).

INSERT LOCK

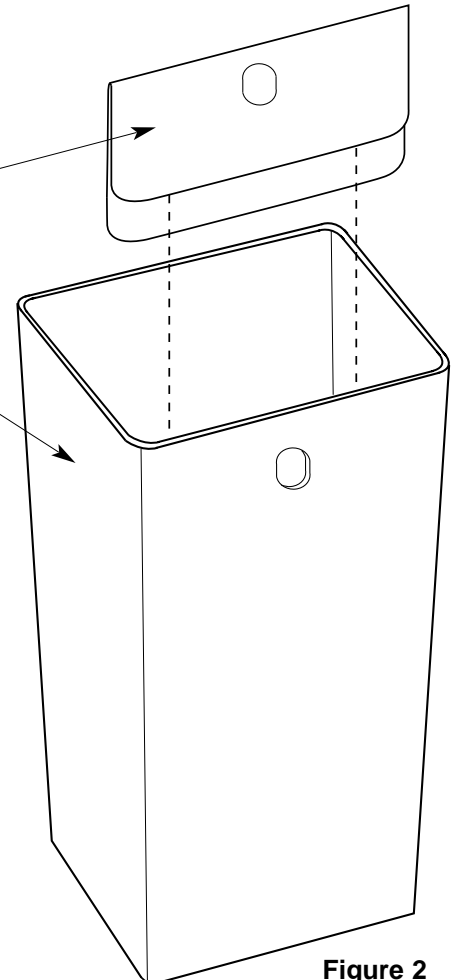
3. Insert lock clip (longer end dips into the plastic coin box). see figure 2
4. Disassemble lock assembly (take off lock nut, cam and large nut).
5. Insert lock body with key seats positioned at 9 and 12 o'clock. see figure 1
6. Fasten large nut to the lock body.
7. Position the cam in the same direction as the key notch. see figure 1 (The cam should rotate 9 to 12 o'clock).
8. Tighten lock assembly with lock nut.
9. Test to assure that the cam rotates into the housing.

Figure 1



Lock Clip

Plastic Coin Box 815347



ANY QUESTIONS??? CONTACT ROYAL VENDORS' CUSTOMER SERVICE DEPARTMENT
CALL TOLL FREE (800) 931-9214