



SERVICE BULLETIN # 00196

201 INDUSTRIAL BOULEVARD • KEARNEYSVILLE, WV 25430

Phone: (304) 728-7056 • Fax: (304) 725-6579 • Toll Free: (800) 931-9214

PAGE: 1 of 2

DATE: 8-23-00

REVISION: 01

SUBJECT: Sacajawea Dollar Coin

MODELS: All Venders

BEFORE WORKING ON VENDER: Remove power from vender by unplugging vender's main power cord from the AC voltage power source (wall outlet).

REASON FOR BULLETIN: Some venders may not accept the Sacajawea dollar coin.

All domestic GIII and MIV venders with a plastic insert built after run 1465 will accept the Sacajawea dollar coin.

All domestic GIII and MIV venders with a plastic insert built before run 1465 will not accept the Sacajawea dollar coin due to the insert opening being too small. (You may file the insert to be wider on both sides to accept the coin or replace it with 141511.)

All domestic Merlin venders with a metal insert will need a wider opening to accept the dollar coin. Either replace the part (see figures 2 or 3) or mill out the opening.

CDC Venders: The coin deflector will need to be moved to the far right position in the coin chute in order to accept the Sacajawea dollar coin. see figure 1 below

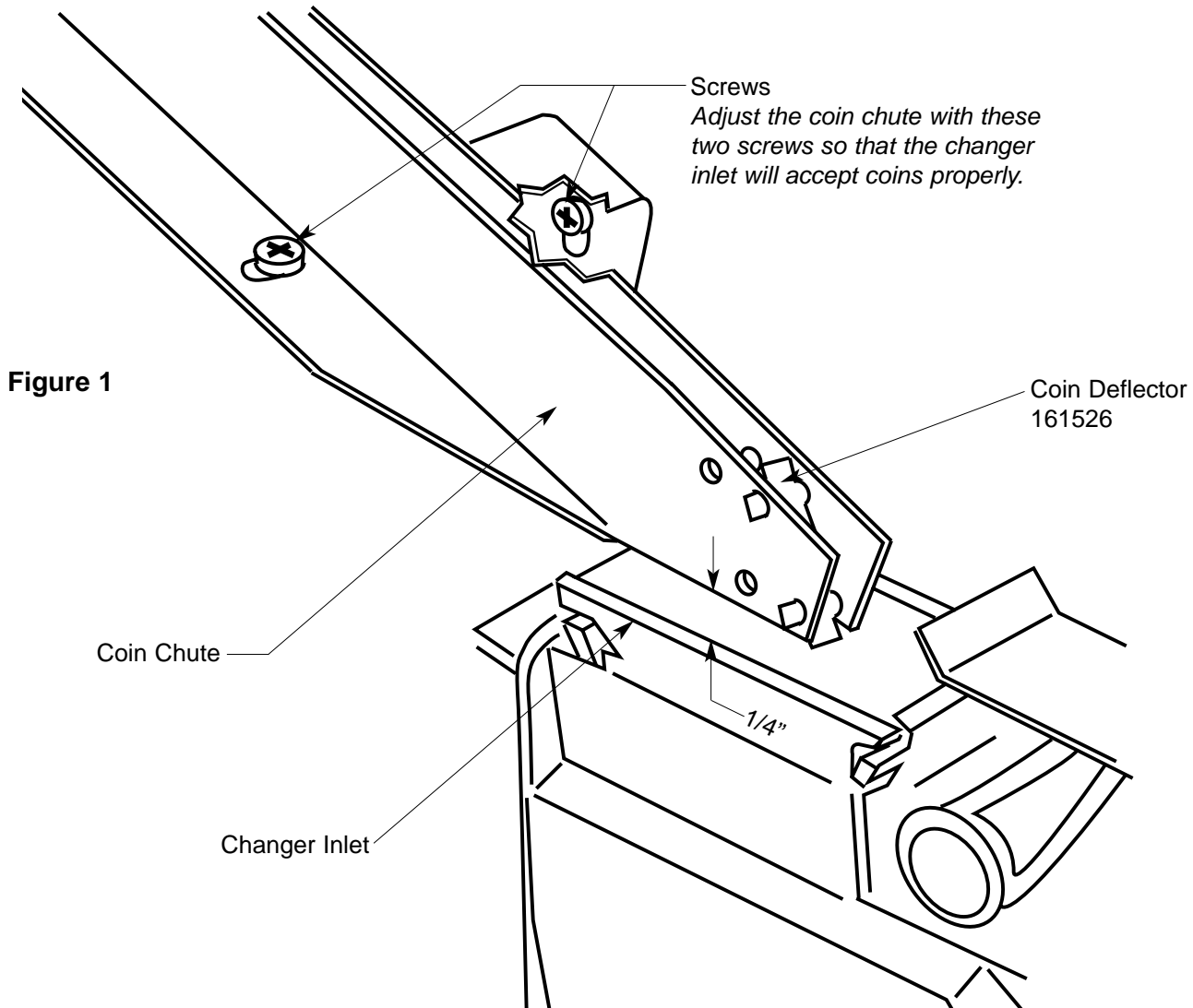


Figure 1

ANY QUESTIONS??? CONTACT ROYAL VENDORS' CUSTOMER SERVICE DEPARTMENT
CALL TOLL FREE (800) 931-9214



SERVICE BULLETIN # 00196

201 INDUSTRIAL BOULEVARD • KEARNEYSVILLE, WV 25430
Phone: (304) 728-7056 • Fax: (304) 725-6579 • Toll Free: (800) 931-9214

PAGE: 2 of 2

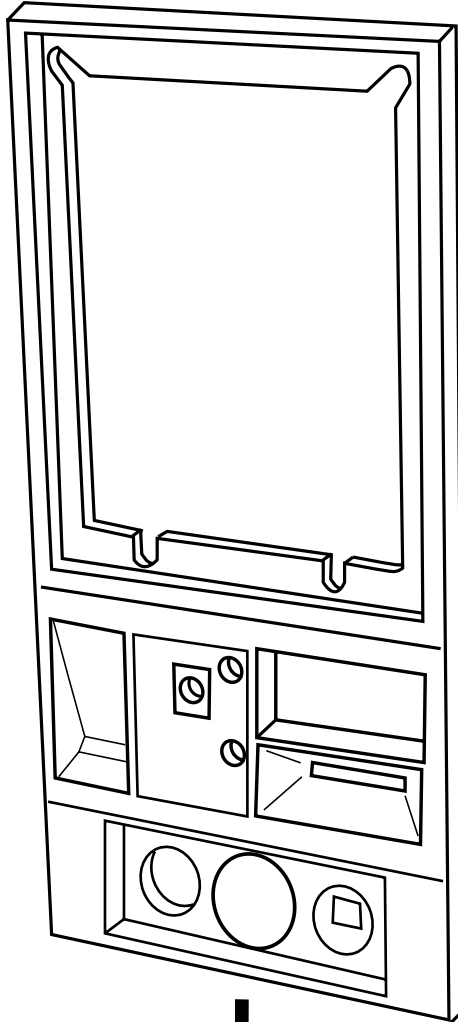
DATE: 8-23-00

REVISION: 01

SUBJECT: Sacajawea Dollar Coin

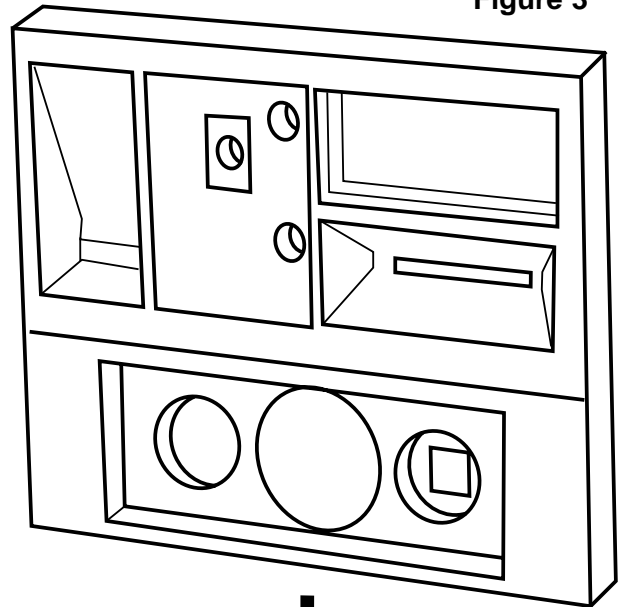
MODELS: All Venders

Figure 2



Replace with 809021

Figure 3



Replace with 809013

ANY QUESTIONS??? CONTACT ROYAL VENDORS' CUSTOMER SERVICE DEPARTMENT
CALL TOLL FREE (800) 931-9214