



# Helpful Hints **0018**

*clear & easy*

201 INDUSTRIAL BOULEVARD • KEARNEYSVILLE, WV 25430  
Phone: (304) 728-7056 • Fax: (304) 725-6579 • Toll Free: (800) 931-9214

PAGE: 1 of 1

DATE: 6-18-02

REVISION: 03

**SUBJECT:** Ground Strap for the Inner Door

**MODELS:** All Venders

# of People  
Required



**KIT NUMBER**

**KIT DESCRIPTION**

010078

Ground Wire Kit (Inner Door)

**TOOLS REQUIRED:** Phillips screwdriver, drill, 1/8" drill bit

**ESTIMATED TIME:** 1 minute



*The following areas of this vender contain voltage, which can cause serious injury or even death. The main power cord, supplying 110 VAC to the evaporator, EMI filter, and refrigeration system. The power line from the EMI filter to the ballast and transformer. The ballast can produce upwards of 600 volts. Remove power from vender before working in any of these areas.*

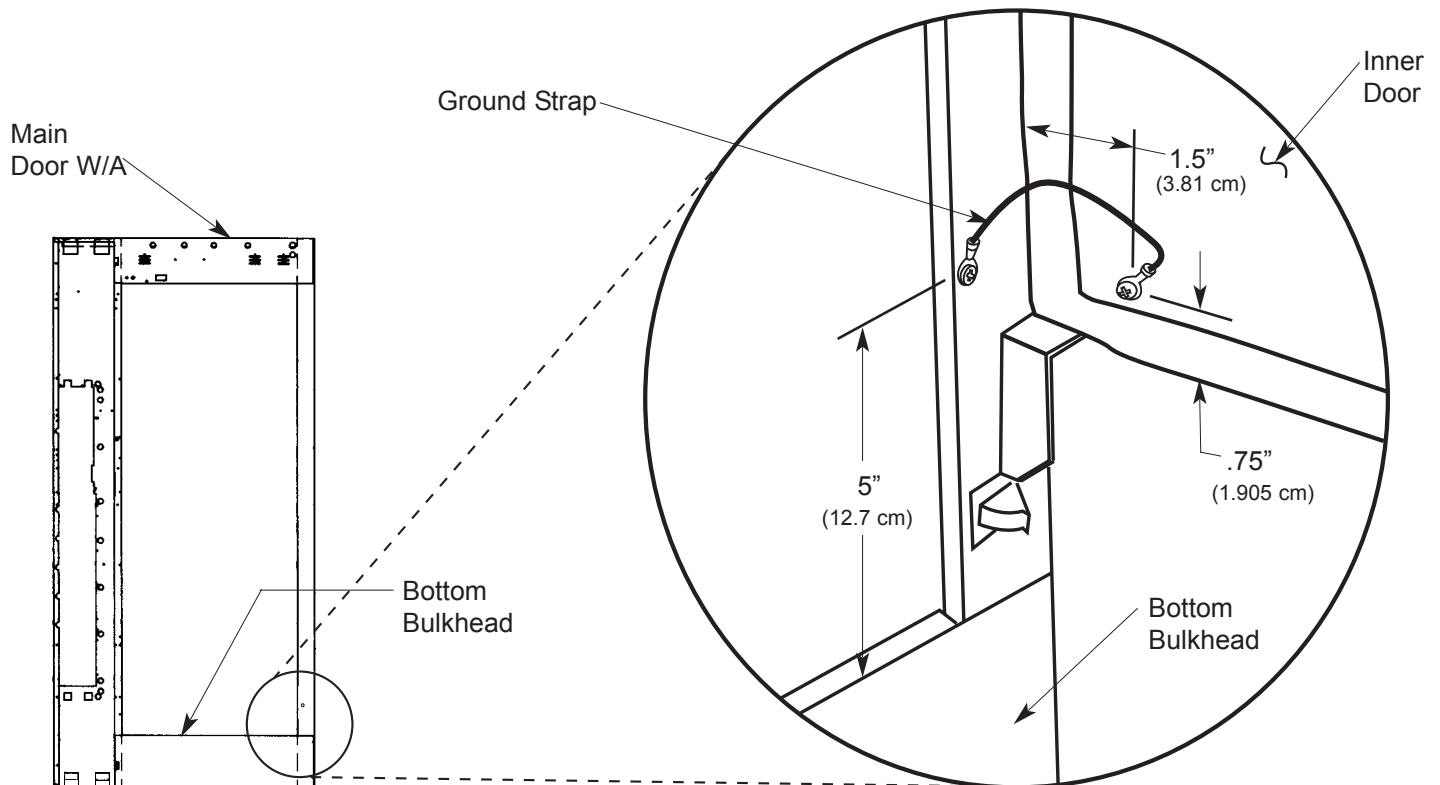
## Reason for Hint:

For instructions on installing a ground strap to the inner door.

## Instructions

1. Power down vender
2. Attach one end of the ground strap to the main door's existing .13 inch diameter hole approximately 5 inches from the bottom bulkhead with an 8-32 sems screw.
3. Attach the other end of the ground strap to the inner door by first drilling a hole 1.5 inches from the left side of the inner door and .75 inches from the bottom of the inner door with an 1/8" drill bit (be careful not to drill through the other side of the inner door). Next attach the ground strap with an 8-32 sems screw.

**Note:** Position the ground wire terminals as shown.



**ANY QUESTIONS???** CONTACT ROYAL VENDORS' CUSTOMER SERVICE DEPARTMENT  
**CALL TOLL FREE (800) 931-9214**