



SERVICE BULLETIN # 00185

201 INDUSTRIAL BOULEVARD • KEARNEYSVILLE, WV 25430

Phone: (304) 728-7056 • Fax: (304) 725-6579 • Toll Free: (800) 931-9214

PAGE: 1 of 1

DATE: 6-20-02

REVISION: 03

SUBJECT: Door Switch Relocation (MIV)

MODELS: MIV

KIT NUMBER

KIT DESCRIPTION

256133

Door Switch Relocation Kit (MIV)



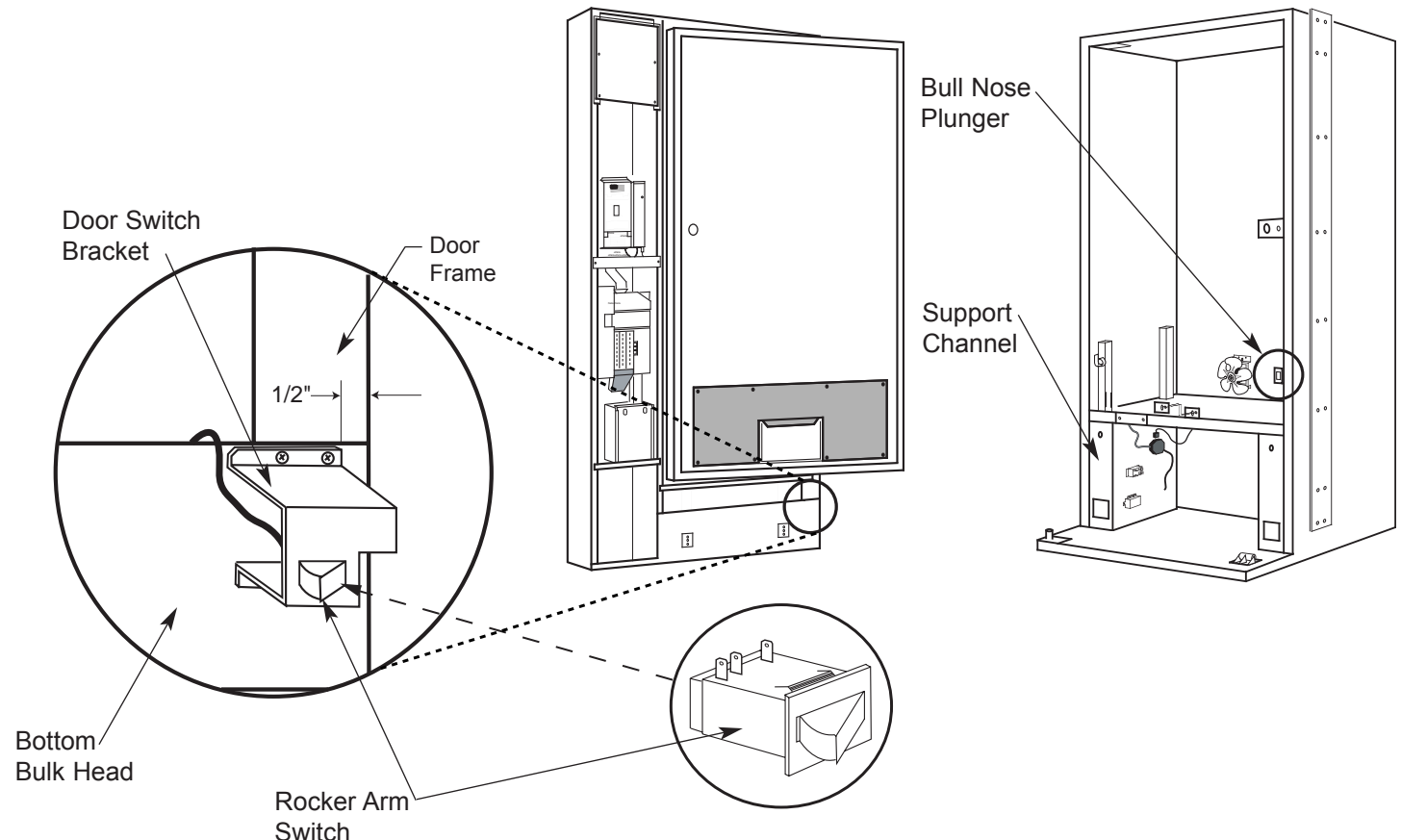
The following areas of this vender contain voltage, which can cause serious injury or even death. The main power cord, supplying 110 VAC to the evaporator, EMI filter, and refrigeration system. The power line from the EMI filter to the ballast and transformer. The ballast can produce upwards of 600 volts. Remove power from vender before working in any of these areas.

REASON FOR BULLETIN:

To convert a vender that is equipped with a Bull Nose Plunger Door Switch to the more reliable Rocker Arm Door Switch. The door switch was relocated to a location of the door less likely of being struck by something causing a malfunction.

RETROFIT INSTRUCTIONS:

1. Remove power from the vender by unplugging the main power cord from the wall outlet.
2. Locate the connection for the door switch harness at the control board (pinout P9). Remove the harness from the connection. Also remove the old door switch (Bull Nose Plunger) and bracket, located on the right side of the cabinet below the vend rack assembly.
3. Place door switch bracket at the top of the bottom bulk head, a half inch off the edge of the door (see location below). Using 9/64" (.140) drill bit, drill two holes for the sems screws from the kit.
The door switch must be mounted so that it makes contact with the support channel of the cabinet.
4. Connect the new door switch harness to pinout P9 at the control board. Route the harness through the door to the bottom, at the new door switch bracket.
5. Insert the new door switch into the bracket. Connect the purple wire from the harness to the common (COM) position on the door switch. Connect the white wire from the harness to the normally closed (NC) position on the door switch.



**ANY QUESTIONS??? CONTACT ROYAL VENDORS' CUSTOMER SERVICE DEPARTMENT
CALL TOLL FREE (800) 931-9214**