



SERVICE BULLETIN # 00184

201 INDUSTRIAL BOULEVARD • KEARNEYSVILLE, WV 25430

Phone: (304) 728-7056 • Fax: (304) 725-6579 • Toll Free: (800) 931-9214

PAGE: 1 of 1

DATE: 6-20-02

REVISION: 02

SUBJECT: Door Switch Relocation (GIII)

MODELS: GIII

KIT NUMBER	KIT DESCRIPTION
231133	Door Switch Relocation Kit (GIII)



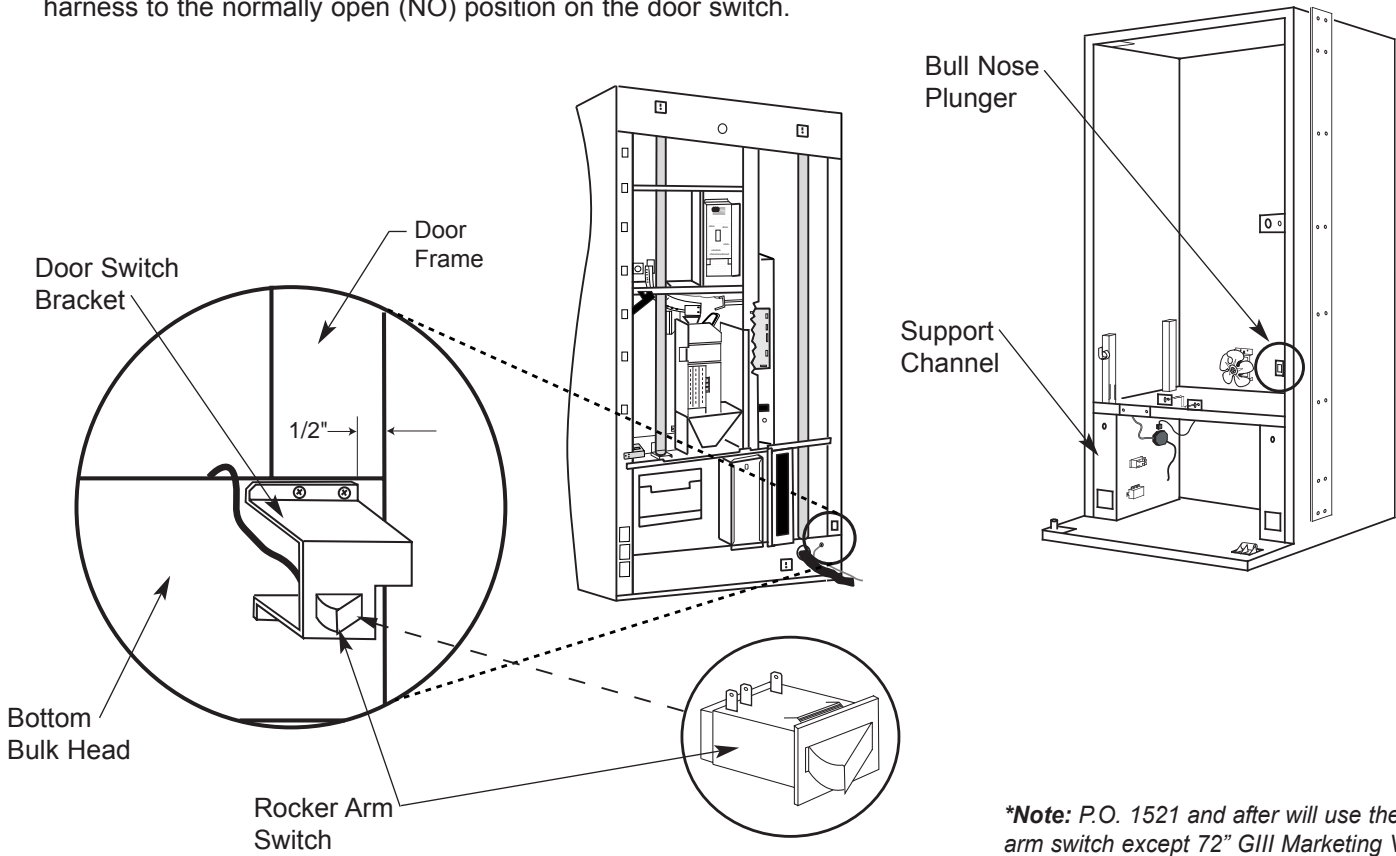
The following areas of this vender contain voltage, which can cause serious injury or even death. The main power cord, supplying 110 VAC to the evaporator, EMI filter, and refrigeration system. The power line from the EMI filter to the ballast and transformer. The ballast can produce upwards of 600 volts. Remove power from vender before working in any of these areas.

REASON FOR BULLETIN:

To convert a vender that is equipped with a Bull Nose Plunger Door Switch to the more reliable Rocker Arm Door Switch. The door switch was relocated to a location of the door less likely of being struck by something causing a malfunction.

RETROFIT INSTRUCTIONS:

1. Remove power from the vender by unplugging the main power cord from the wall outlet.
2. Locate the cap plug for the door switch harness at the bottom of the vender's main door. Disconnect and remove the cabinet-side door switch harness. Also remove the old door switch (Bull Nose Plunger) and bracket, located on the right side of the cabinet below the vend rack assembly.
3. Connect the new door switch harness (from the kit) to the cap plug.
4. Place door switch bracket at the top of the bottom bulk head, a half inch off the edge of the door (see location below). Using 9/64" (.140) drill bit, drill two holes for the sems screws from the kit.
The door switch must be mounted so that it makes contact with the support channel of the cabinet.
5. Insert the new door switch into the bracket. Connect the brown wire from the harness to the common (COM) position on the door switch. Connect the black wire from the harness to the normally open (NO) position on the door switch.



***Note:** P.O. 1521 and after will use the rocker arm switch except 72" GIII Marketing Venders which start at P.O. 1528 and after.

**ANY QUESTIONS??? CONTACT ROYAL VENDORS' CUSTOMER SERVICE DEPARTMENT
CALL TOLL FREE (800) 931-9214**