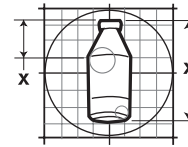




181 Package Vending Specification

426 Industrial Boulevard • Kearneysville WV 25430-2776 • USA
 Telephone: +1 304 728 7056 • technicalinquiry@royalvenders.com
 Toll-free in North America: 1 800 931 9214 • Fax: +1 304 725 4016
 Canada: +1 905 738 5777 • Mexico: +52 55 5203 6887
 Europe: +49 2158 95 1000 • Australia: +61 2 9890 5433



Page: 1 of 1

Date: 29 Oct 2012

Revision: 00

PRODUCT NAME: Tropicana 15.2 oz bottle
BOTTLER / COMPANY: Tropicana Products, Inc.
VOLUME: 15.2 oz. / 450 mL
PACKAGE TYPE: PETE
HEIGHT: 7.50 in. / 190.3 mm
DIAMETER: 2.64 in. / 67.2 mm
WEIGHT: 1.10 lbs. / 0.50 kg
COUNTRY OF ORIGIN: USA



APPROVED VENDERS				
VENDER	RETAINERS		79" CAPACITY	
	Front	Rear	Front	Rear
MIV	9	6	32	32
TDV	8	14	32	64
RVV NG	N/A	N/A	8	N/A

KITS / PARTS: No kits required.

INSTALLATION INSTRUCTIONS

Note: Before working on vender, always remove power by unplugging the vender's main power cord from the AC voltage source (outlet).

Merlin IV:

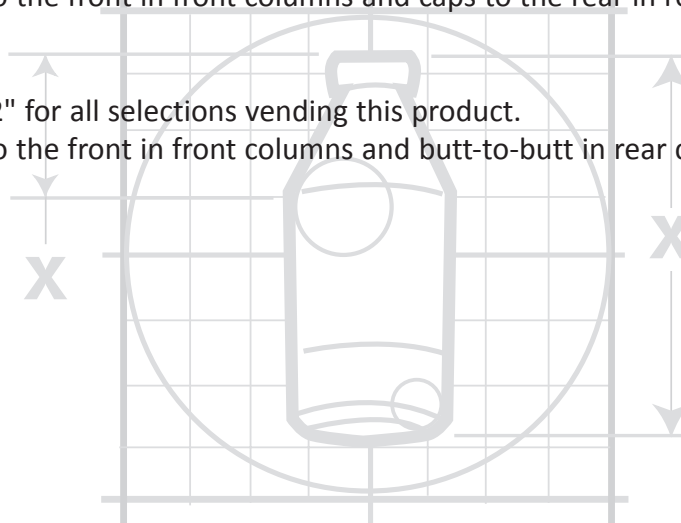
1. Set selection depth to "1" for all selections vending this product.
2. Load bottles with caps to the front in front columns and caps to the rear in rear columns.

TDV:

1. Set selection depth to "2" for all selections vending this product.
2. Load bottles with caps to the front in front columns and butt-to-butt in rear columns.

RVV NG:

No special instructions.



**ANY QUESTIONS? CONTACT ROYAL VENDORS' CUSTOMER SERVICE DEPARTMENT
 IN NORTH AMERICA, CALL TOLL FREE 1 800 931 9214**