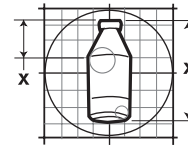




180 Package Vending Specification

426 Industrial Boulevard • Kearneysville WV 25430-2776 • USA
 Telephone: +1 304 728 7056 • technicalinquiry@royalvenders.com
 Toll-free in North America: 1 800 931 9214 • Fax: +1 304 725 4016
 Canada: +1 905 738 5777 • Mexico: +52 55 5203 6887
 Europe: +49 2158 95 1000 • Australia: +61 2 9890 5433



Page: 1 of 2

Date: 29 Jun 2012

Revision: 00

PRODUCT NAME: Nestea straight wall bottle
BOTTLER / COMPANY: The Coca-Cola Company
VOLUME: 20 oz. / 591 mL
PACKAGE TYPE: PETE
HEIGHT: 9.13 in. / 232.0 mm
DIAMETER: 2.61 in. / 66.3 mm
WEIGHT: 1.25 lbs. / 0.56 kg
COUNTRY OF ORIGIN: USA



| APPROVED VENDERS | | | | |
|------------------|-----------|------|--------------|------|
| VENDER | RETAINERS | | 79" CAPACITY | |
| | Front | Rear | Front | Rear |
| GIII | 5 | 2 | 32 | 32 |
| TDV | 3 | 2 | 32 | 64 |
| RVV NG | N/A | N/A | 8 | N/A |

KITS / PARTS: **GIII:** FRONT COLUMNS: Nestea Straight Wall Bottle Kit GIII Front (79": p/n 231068; 72": p/n 232067). REAR COLUMNS: Nestea Straight Wall Bottle Kit GIII Rear (79": p/n 231069; 72": p/n 232068). **TDV:** FRONT COLUMNS: Nestea Straight Wall Bottle Kit TDV (296064). REAR COLUMNS: No kits required.

INSTALLATION INSTRUCTIONS

Note: Before working on vender, always remove power by unplugging the vender's main power cord from the AC voltage source (outlet).

GIII:

1. Set selection depth to "1" for all selections vending this product.
2. Set product stops to small-package ("can") position for all columns vending this product.
3. FRONT COLUMN: Attach one retainer extrusion to each product retainer. (See Figure 1.) Set product retainer to position 5. REAR COLUMN: Set backspacer assembly to position 2.
4. Remove the product stop adjustment rod for the column to be converted. Then, reinstall the product rod so that the clip-on product stop (from the kit) is attached to it, with the top portion of the clip-on product stop resting on the 1.85" (47 mm) spacer in the column. (See Figure 2.)
5. Load bottles with caps to the front in front columns and caps to the rear in rear columns.

TDV:

1. Set selection depth to "2" for all selections vending this product.
2. FRONT COLUMN: Attach one retainer extrusion to each product retainer. (See Figure 1.) Set product retainer to position 9. REAR COLUMN: Set product retainer to position 12.
3. Load bottles with caps to the front in front columns and butt-to-butt in rear columns.

RVV NG:

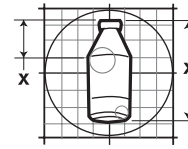
No special instructions.

**ANY QUESTIONS? CONTACT ROYAL VENDORS' CUSTOMER SERVICE DEPARTMENT
 IN NORTH AMERICA, CALL TOLL FREE 1 800 931 9214**



180 Package Vending Specification

426 Industrial Boulevard • Kearneysville WV 25430-2776 • USA
 Telephone: +1 304 728 7056 • technicalinquiry@royalvendors.com
 Toll-free in North America: 1 800 931 9214 • Fax: +1 304 725 4016
 Canada: +1 905 738 5777 • Mexico: +52 55 5203 6887
 Europe: +49 2158 95 1000 • Australia: +61 2 9890 5433



PRODUCT NAME: Nestea straight wall bottle

Figure 1. Retainer extrusion installation.

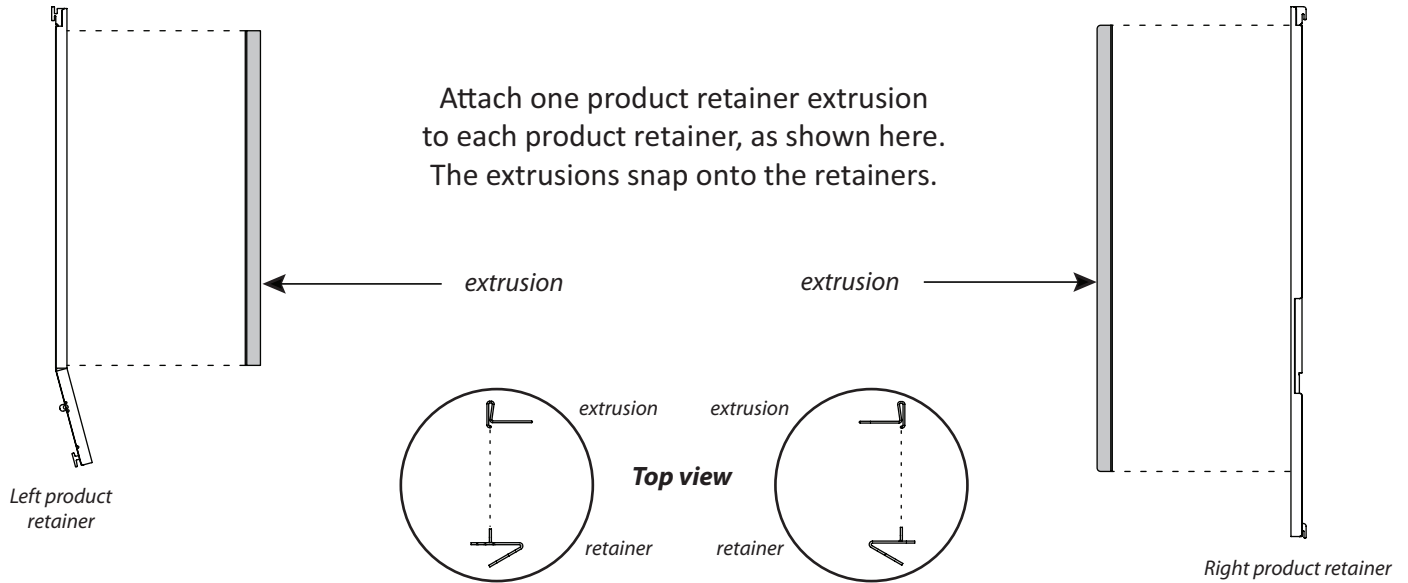
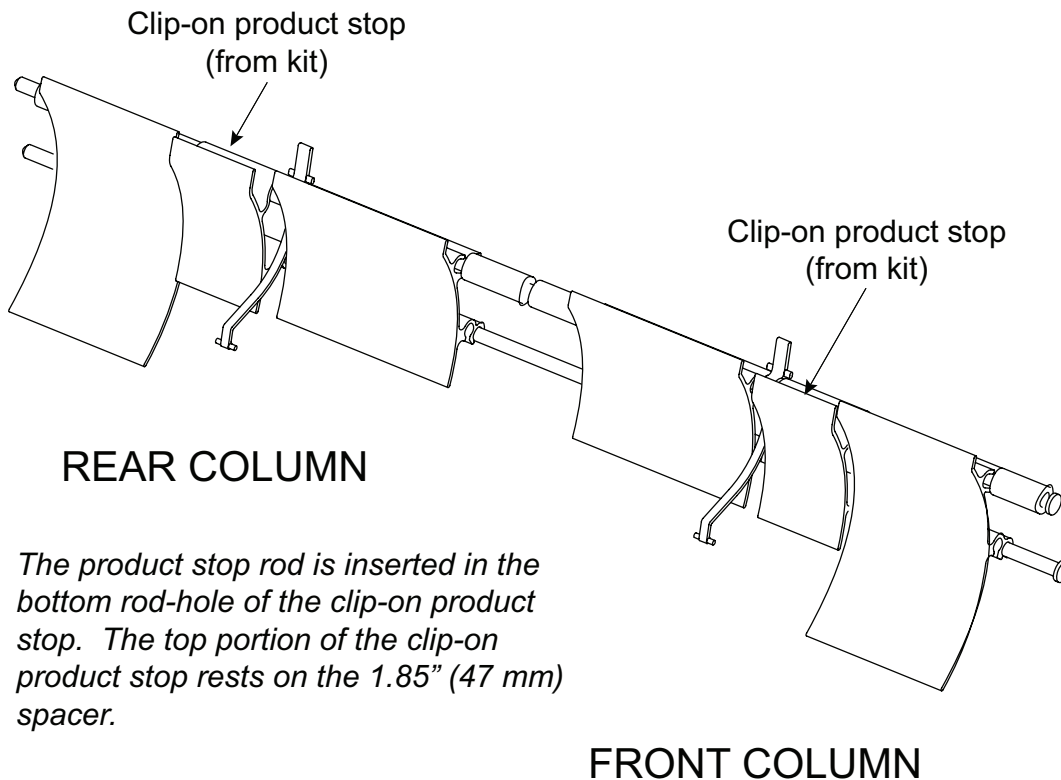


Figure 2. Installation of the clip-on product stops.



**ANY QUESTIONS? CONTACT ROYAL VENDORS' CUSTOMER SERVICE DEPARTMENT
 IN NORTH AMERICA, CALL TOLL FREE 1 800 931 9214**