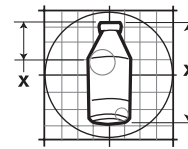




179 Package Vending Specification

426 Industrial Boulevard • Kearneysville WV 25430-2776 • USA
 Telephone: +1 304 728 7056 • technicalinquiry@royalvendors.com
 Toll-free in North America: 1 800 931 9214 • Fax: +1 304 725 4016
 Canada: +1 905 738 5777 • Mexico: +52 55 5203 6887
 Europe: +49 2158 95 1000 • Australia: +61 2 9890 5433



PRODUCT NAME: Safeway refreshe™
BOTTLER / COMPANY: Advanced H₂O, LLC
VOLUME: 16.9 oz. / 500 mL
PACKAGE TYPE: PETE
HEIGHT: 7.64 in. / 194.0 mm
DIAMETER: 2.61 in. / 66.3 mm
WEIGHT: 1.15 lbs. / 0.52 kg
COUNTRY OF ORIGIN: USA

APPROVED VENDERS				
VENDER	RETAINERS		72" CAPACITY	
	Front	Rear	Front	Rear
MIV Airflow*	8	6	27	27
MIV (older)	9	7	27	27

* - Serial number 200422XX00001 and after.

KITS / PARTS: FRONT COLUMNS: 257104 Safeway Bottle Kit Front. REAR COLUMNS: 257105 Safeway Bottle Kit Rear.

INSTALLATION INSTRUCTIONS

Note: Before working on vender, always remove power by unplugging the vender's main power cord from the AC voltage source (wall outlet).

FRONT COLUMNS:

1. Install the small package filler. (See Figure 1.)
2. Attach one center divider extrusion to the right-side center channel. (See Figure 2.)
3. Attach one retainer extrusion to each product retainer. (See Figure 3.) Install the retainers in position 8.
4. Load bottles with caps to the front.

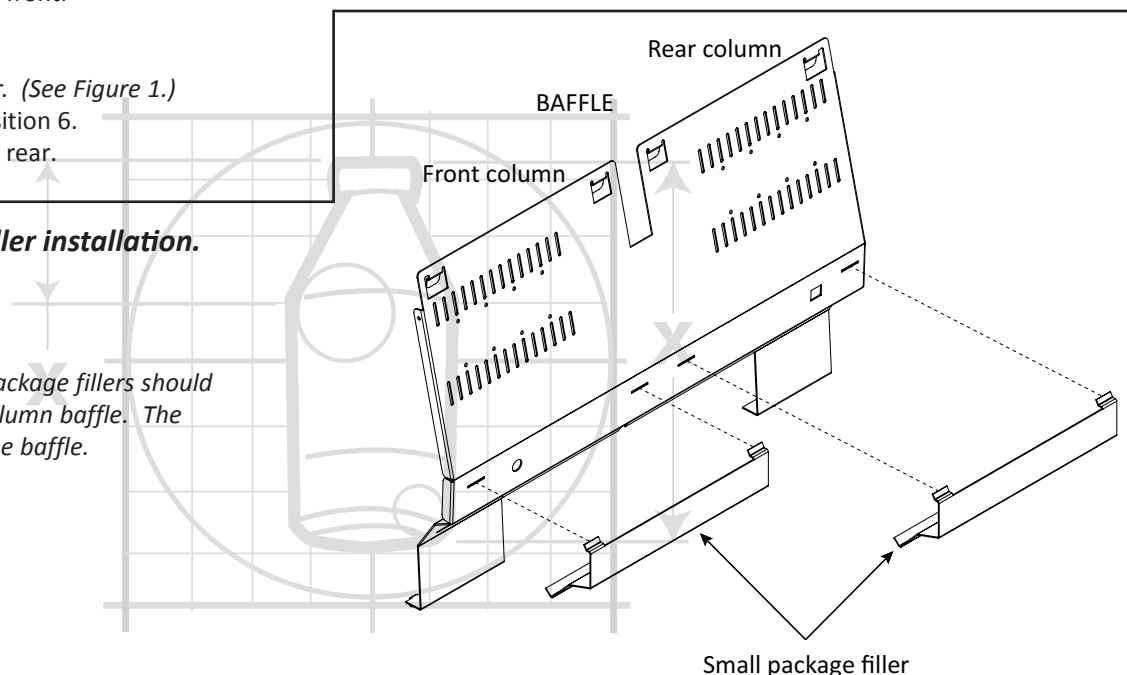
REAR COLUMNS:

1. Install the small package filler. (See Figure 1.)
2. Install the rear spacers in position 6.
3. Load bottles with caps to the rear.



FIGURE 1. Small package filler installation.

The tabs at the top of the small package fillers should be inserted into the slots in the column baffle. The small package filler hangs from the baffle.

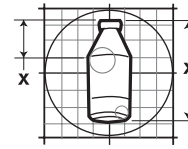


**ANY QUESTIONS? CONTACT ROYAL VENDORS' CUSTOMER SERVICE DEPARTMENT
 IN NORTH AMERICA, CALL TOLL FREE 1 800 931 9214**



179 Package Vending Specification

426 Industrial Boulevard • Kearneysville WV 25430-2776 • USA
Telephone: +1 304 728 7056 • technicalinquiry@royalvendors.com
Toll-free in North America: 1 800 931 9214 • Fax: +1 304 725 4016
Canada: +1 905 738 5777 • Mexico: +52 55 5203 6887
Europe: +49 2158 95 1000 • Australia: +61 2 9890 5433



PRODUCT NAME: Safeway refreshe™

FIGURE 2. Divider extrusion installation.

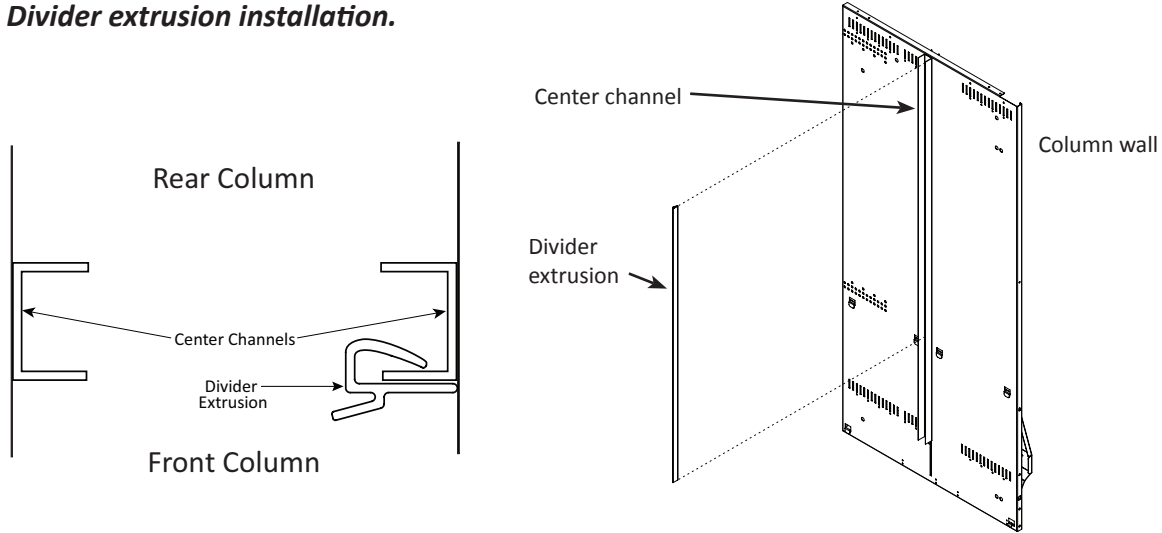
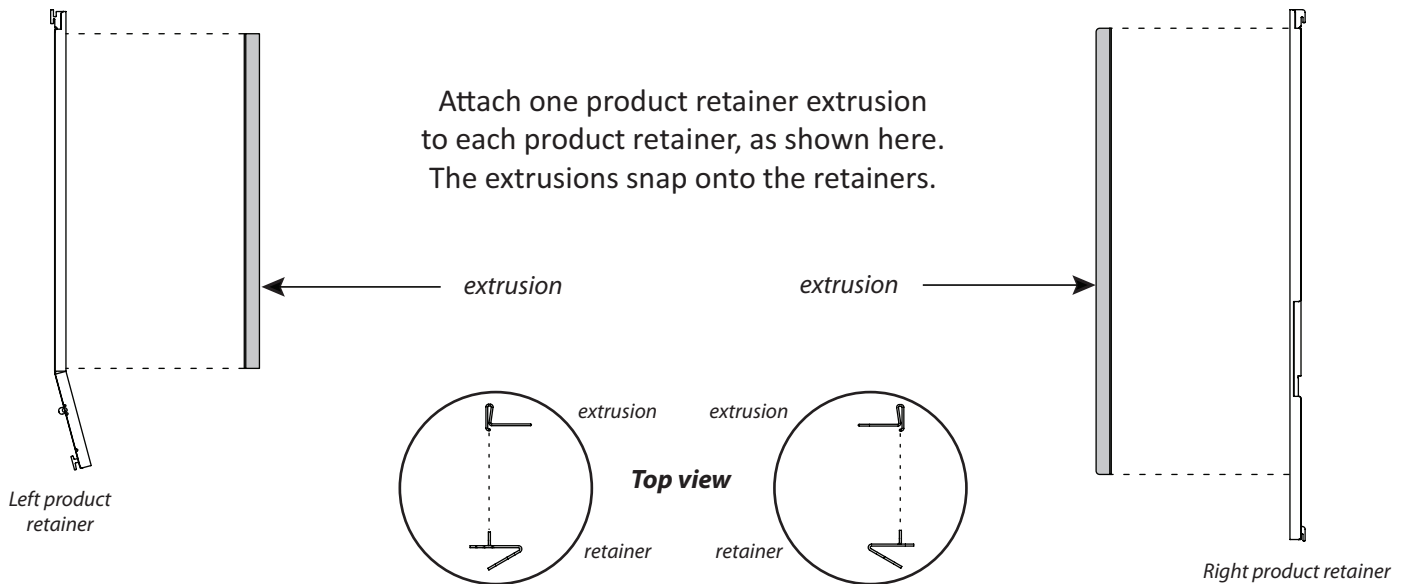


FIGURE 3. Retainer extrusion installation.



**ANY QUESTIONS? CONTACT ROYAL VENDORS' CUSTOMER SERVICE DEPARTMENT
IN NORTH AMERICA, CALL TOLL FREE 1 800 931 9214**