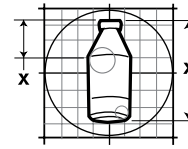




177 Package Vending Specification

426 Industrial Boulevard • Kearneysville WV 25430-2776 • USA
 Telephone: +1 304 728 7056 • technicalinquiry@royalvenders.com
 Toll-free in North America: 1 800 931 9214 • Fax: +1 304 725 4016
 Canada: +1 905 738 5777 • Mexico: +52 55 5203 6887
 Europe: +49 2158 95 1000 • Australia: +61 2 9890 5433



Page: 1 of 1
Date: 23 Mar 11
Revision: 00

PRODUCT NAME: 20 oz Lipton Natural
BOTTLER / COMPANY: Pepsi / Lipton Tea Partnership
VOLUME: 20 oz. / 591 mL
PACKAGE TYPE: PETE
HEIGHT: 8.67 in. / 220.2 mm
DIAMETER: 2.88 in. / 73.2 mm
WEIGHT: 1.45 lbs. / 0.66 kg
COUNTRY OF ORIGIN: USA

APPROVED VENDERS				
VENDER	RETAINERS		79" CAPACITY	
	Rear	Front	Rear	Front
MIV Airflow*	6	3	32	32
MIV (regular)	7	4	32	32
TDV	4	4	28	56
RVV NG	N/A	N/A	7	N/A

* - Serial number 200422XX00001 and after.

KITS / PARTS: Merlin IV: FRONT COLUMNS: No parts required. REAR COLUMNS: Divider extrusion (79": 815214; 72": 815215), two per column.
 TDV: No parts required. RVV NG: No parts required.

INSTALLATION INSTRUCTIONS

MERLIN IV:

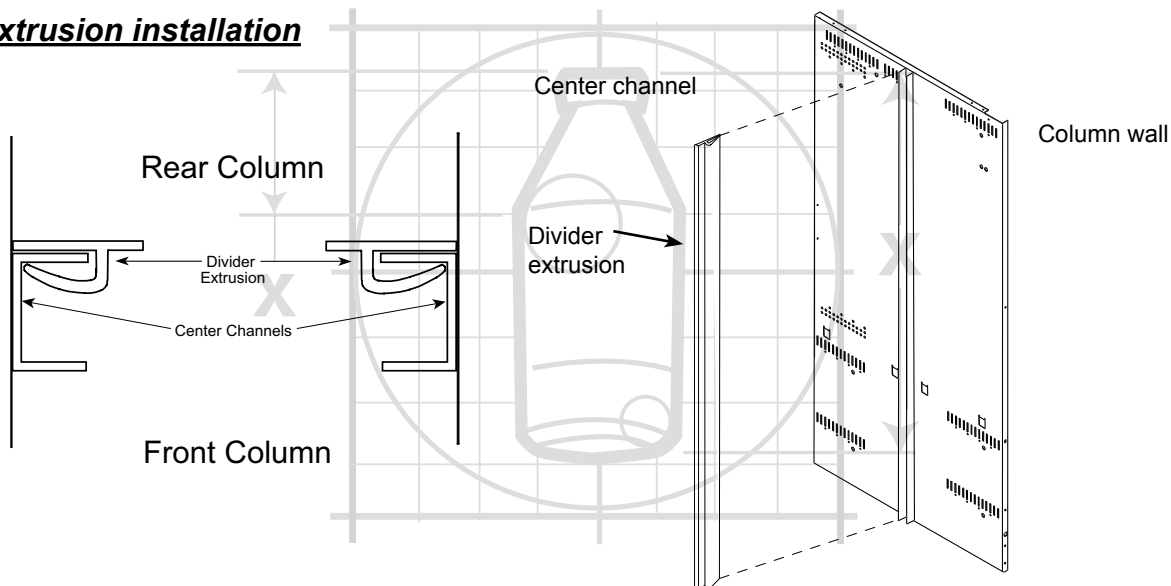
1. Install the divider extrusion, as shown in the illustration below.
2. Load bottles with caps to the front in front columns and caps to the rear in rear columns.

TDV:

Load bottles with caps to the front in front columns and butt-to-butt in rear columns. Cap stops must be pulled out on all rear columns.



Divider extrusion installation



**ANY QUESTIONS? CONTACT ROYAL VENDORS' CUSTOMER SERVICE DEPARTMENT
 IN NORTH AMERICA, CALL TOLL FREE 1 800 931 9214**