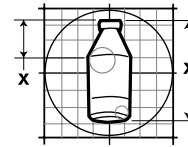




175 Package Vending Specification

426 Industrial Boulevard • Kearneysville WV 25430-2776 • USA
Telephone: +1 304 728 7056 • technicalinquiry@royalvendors.com
Toll-free in North America: 1 800 931 9214 • Fax: +1 304 725 4016
Canada: +1 905 738 5777 • Mexico: +52 55 5203 6887
Europe: +49 2158 95 1000 • Australia: +61 2 9890 5433



Page: 1 of 2

Date: 14 Oct 10

Revision: 00

PRODUCT NAME: 12 oz. All Sport
BOTTLER / COMPANY: All Sport, Inc.
VOLUME: 12 oz. / 355 mL
PACKAGE TYPE: PETE
HEIGHT: 6.05 in. / 153.7 mm
DIAMETER: 2.63 in. / 66.7 mm
WEIGHT: 0.85 lbs. / 0.38 kg
COUNTRY OF ORIGIN: USA

APPROVED VENDERS

VENDER	RETAINERS		79" CAPACITY	
	Front	Rear	Front	Rear
MIV Airflow*	9	11	32	32
MIV (original)	10	12	32	32
TDV	15	25	32	64

* - Serial number 200422XX00001 and after.



KITS / PARTS: Merlin IV: FRONT COLUMNS: Product retainer extrusions, two per column (72": 815255; 79": 815256), small package filler (256101); REAR COLUMNS: Small package filler (256101). TDV: No kits or parts required.

INSTALLATION AND LOADING INSTRUCTIONS

Note: Before working on vender, always remove power by unplugging the vender's main power cord from the AC voltage source (outlet).

MERLIN IV:

FRONT COLUMNS:

1. Install the package filler, as shown in Figure 1.
2. Attach one retainer extrusion (from the kit) to each product retainer. (See Figure 2.) Install the product retainers in position 9 (Airflow) or position 10 (original style).
3. Load bottles with caps to the front.

REAR COLUMNS:

1. Install the package filler, as shown in Figure 1.
2. Place the back spacer in position 11 (Airflow) or position 12 (original style).
3. Load bottles with caps to the rear.

TDV:

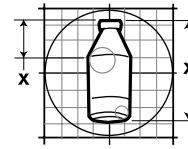
1. Install the product retainers in position 15 (front columns) or position 25 (rear columns).
2. Load bottles with caps to the front in front columns and butt-to-butt in rear columns.

**ANY QUESTIONS? CONTACT ROYAL VENDORS' CUSTOMER SERVICE DEPARTMENT
IN NORTH AMERICA, CALL TOLL FREE 1 800 931 9214**



175 Package Vending Specification

426 Industrial Boulevard • Kearneysville WV 25430-2776 • USA
Telephone: +1 304 728 7056 • technicalinquiry@royalvendors.com
Toll-free in North America: 1 800 931 9214 • Fax: +1 304 725 4016
Canada: +1 905 738 5777 • Mexico: +52 55 5203 6887
Europe: +49 2158 95 1000 • Australia: +61 2 9890 5433



Page: 2 of 2
Date: 14 Oct 10
Revision: 00

PRODUCT NAME: 12 oz. All Sport

Figure 1

Small package filler installation

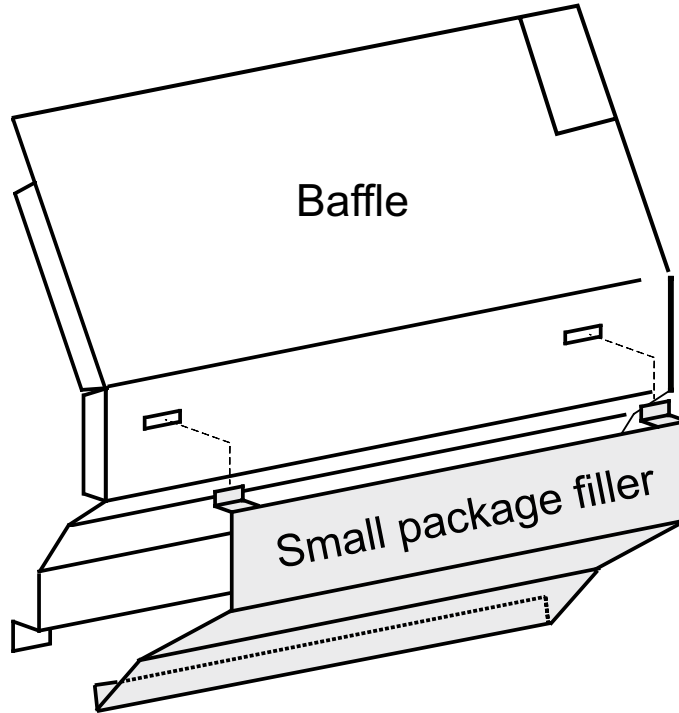
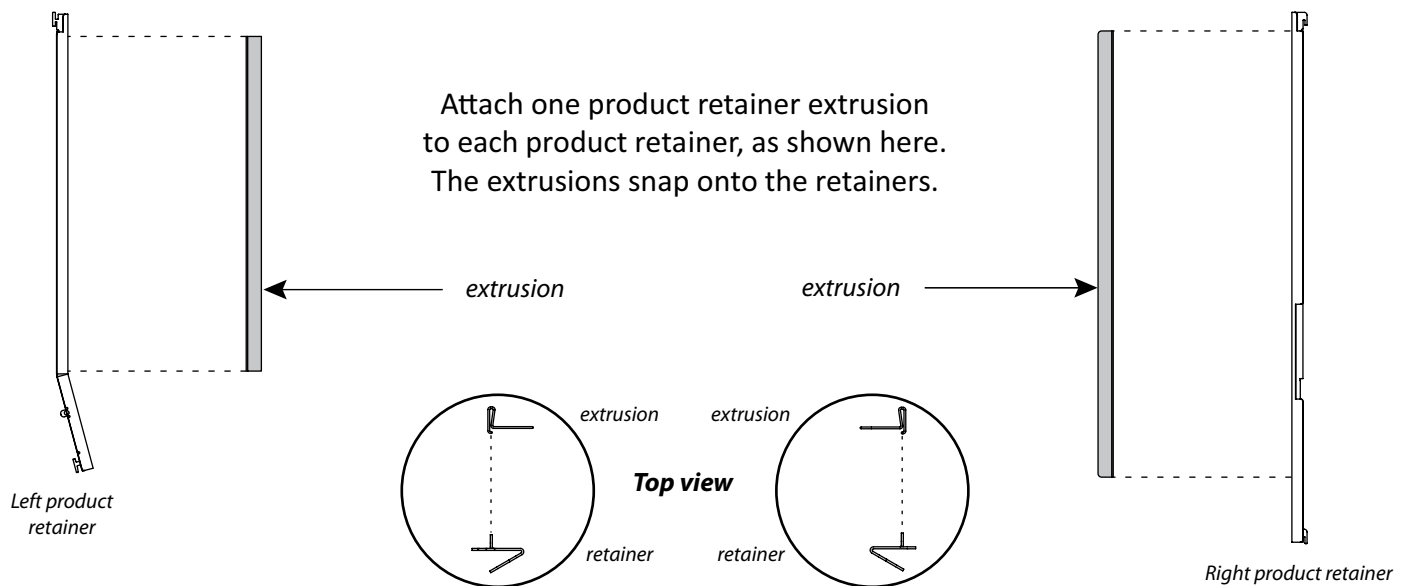


Figure 2

Installing the retainer extrusions



**ANY QUESTIONS? CONTACT ROYAL VENDORS' CUSTOMER SERVICE DEPARTMENT
IN NORTH AMERICA, CALL TOLL FREE 1 800 931 9214**