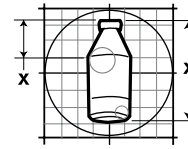




174 Package Vending Specification

426 Industrial Boulevard • Kearneysville WV 25430-2776 • USA
 Telephone: +1 304 728 7056 • technicalinquiry@royalvendors.com
 Toll-free in North America: 1 800 931 9214 • Fax: +1 304 725 4016
 Canada: +1 905 738 5777 • Mexico: +52 55 5203 6887
 Europe: +49 2158 95 1000 • Australia: +61 2 9890 5433



Page: 1 of 1
Date: 12 Oct 10
Revision: 00

PRODUCT NAME: Sunny D
BOTTLER / COMPANY: Sunny Delight Beverages Co.
VOLUME: 16 oz. / 473 mL
PACKAGE TYPE: PETE
HEIGHT: 6.92 in. / 175.8 mm
DIAMETER: 2.87 in. / 72.8 mm
WEIGHT: 1.15 lbs. / 0.52 kg
COUNTRY OF ORIGIN: USA

APPROVED VENDERS				
VENDER	RETAINERS		79" CAPACITY	
	Rear	Front	Rear	Front
MIV Airflow*	9	7	28	28
MIV (older)	10	8	28	28
TDV	3	6	28	56
RVV NG	N/A	N/A	7	N/A

* - Serial number 200422XX00001 and after.

KITS / PARTS: Merlin IV: FRONT COLUMNS: Retainer extrusion (72": 815255, 79": 815256), two per column. REAR COLUMNS: No kits or parts required. TDV and RVV NG: No kits or parts required.

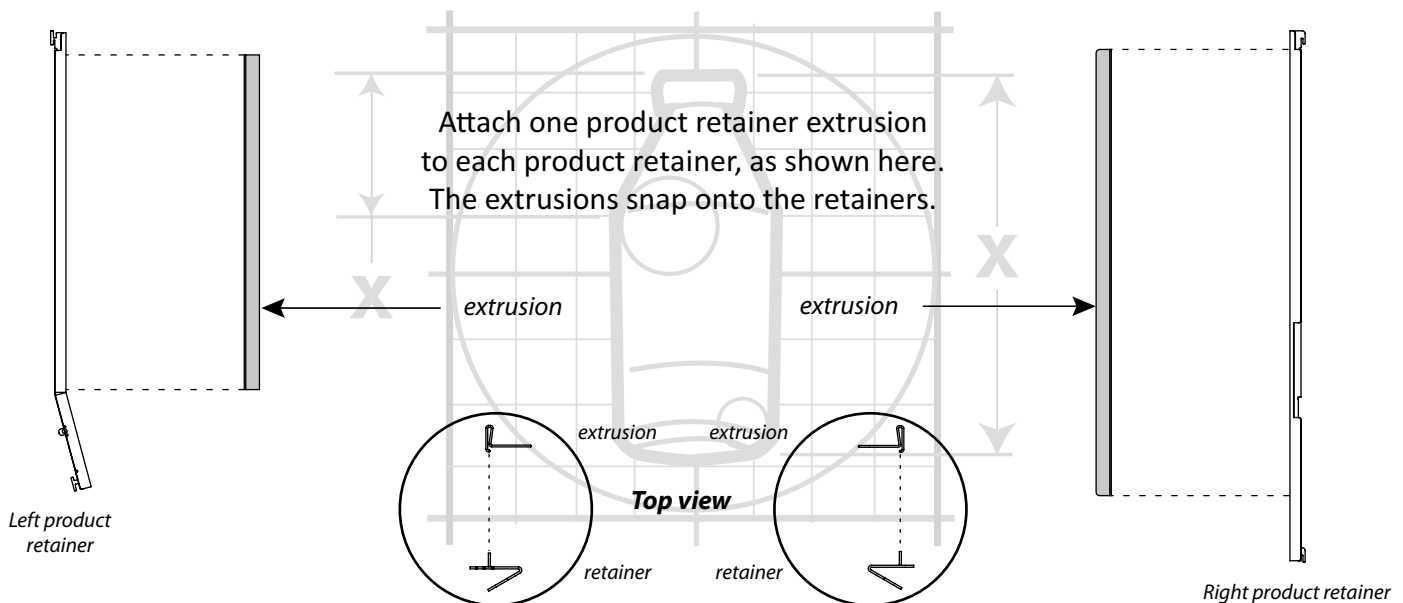


INSTALLATION AND LOADING INSTRUCTIONS

MERLIN IV:

- FRONT COLUMNS: Attach one retainer extrusion to each product retainer. (See illustration below.) Place retainers in position 9 (serial numbers beginning 200422 and after) or position 10 (serial numbers beginning 200421 and before). REAR COLUMNS: Place backspacer assemblies in position 7 (serial numbers beginning 200422 and after) or position 8 (serial numbers beginning 200421 and before).
- Load bottles with caps to the front in front columns and caps to the rear in rear columns.

TDV: Load bottles with caps to the front in front columns and butt-to-butt in rear columns.



**ANY QUESTIONS? CONTACT ROYAL VENDORS' CUSTOMER SERVICE DEPARTMENT
 IN NORTH AMERICA, CALL TOLL FREE 1 800 931 9214**