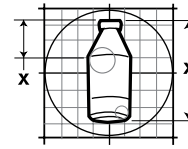




# 173 Package Vending Specification

426 Industrial Boulevard • Kearneysville WV 25430-2776 • USA  
 Telephone: +1 304 728 7056 • technicalinquiry@royalvenders.com  
 Toll-free in North America: 1 800 931 9214 • Fax: +1 304 725 4016  
 Canada: +1 905 738 5777 • Mexico: +52 55 5203 6887  
 Europe: +49 2158 95 1000 • Australia: +61 2 9890 5433



Page: 1 of 1

Date: 12 Oct 10

Revision: 00

**PRODUCT NAME:** 16 oz Pepsi bottle  
**BOTTLER / COMPANY:** PepsiCo, Inc.  
**VOLUME:** 16 oz. / 473 mL  
**PACKAGE TYPE:** PETE  
**HEIGHT:** 8.79 in. / 223.3 mm  
**DIAMETER:** 2.57 in. / 65.3 mm  
**WEIGHT:** 1.15 lbs. / 0.52 kg  
**COUNTRY OF ORIGIN:** USA



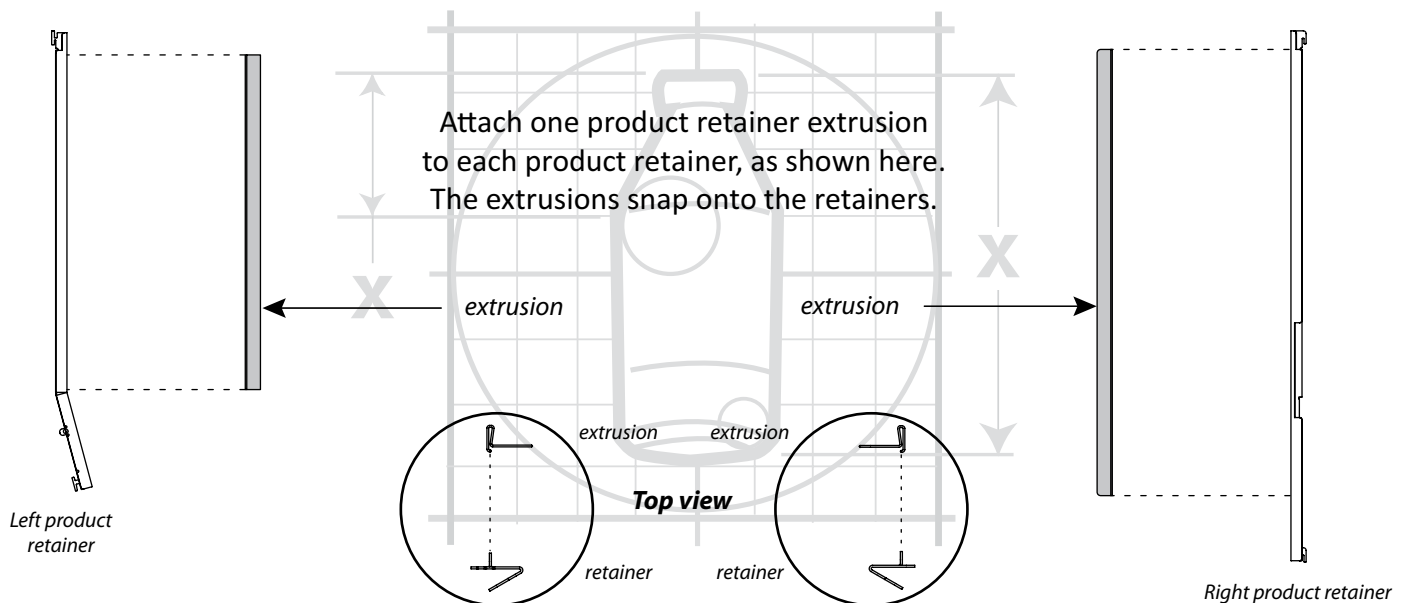
## APPROVED VENDERS

VENDER	RETAINERS		79" CAPACITY	
	Front	Rear	Front	Rear
TDV	5	4	32	64
RVV NG	N/A	N/A	8	N/A

**KITS / PARTS:** TDV: Retainer extrusion (815256), two per column. RVV NG: No kits or parts required.

## TDV RETAINER EXTRUSION INSTALLATION INSTRUCTIONS

1. Attach one retainer extrusion to each product retainer (left and right). (See illustration below.)
2. FRONT COLUMNS: Place product retainers in position 5.  
REAR COLUMNS: Place product retainers in position 4.
3. Load bottles with caps to the front in front columns and butt-to-butt in rear columns.



**ANY QUESTIONS? CONTACT ROYAL VENDORS' CUSTOMER SERVICE DEPARTMENT  
 IN NORTH AMERICA, CALL TOLL FREE 1 800 931 9214**