



SERVICE BULLETIN # 00170

201 INDUSTRIAL BOULEVARD • KEARNEYSVILLE, WV 25430

Phone: (304) 728-7056 • Fax: (304) 725-6579 • Toll Free: (800) 931-9214

PAGE: 1 of 1

DATE: 8-22-00

REVISION: 01

SUBJECT: 20 oz Plastic Bottle Bridging in Merlin IV Venders

MODELS: Merlin IV

KIT NUMBER

KIT DESCRIPTION

256121

Anti-Bridging Kit, MIV (1 kit needed per column)

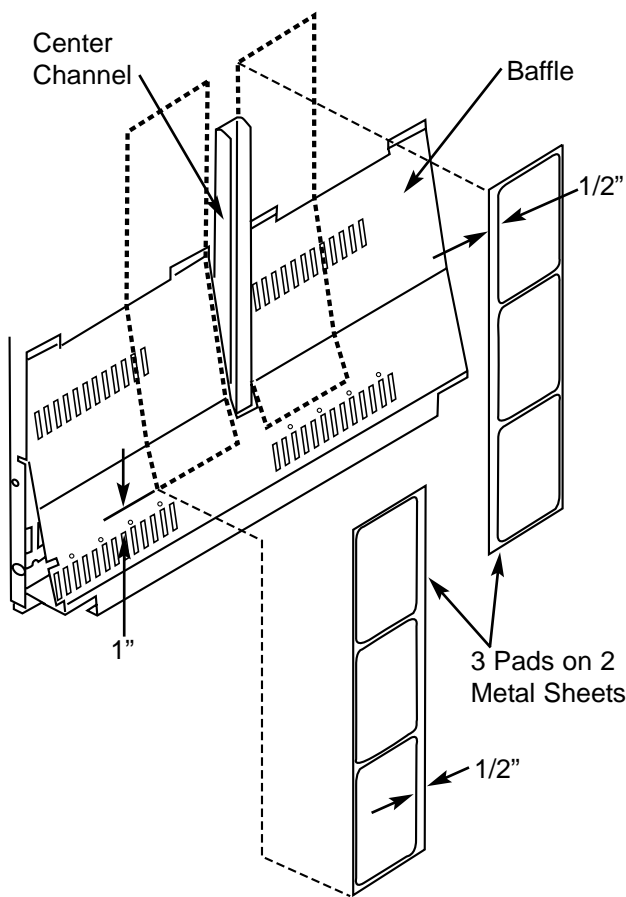
BEFORE WORKING ON VENDER: Remove power from vender by unplugging vender's main power cord from the AC voltage power source (wall outlet).

Reason for Fix: We have experienced "Bridging" with 20 oz. Bottles on some venders.

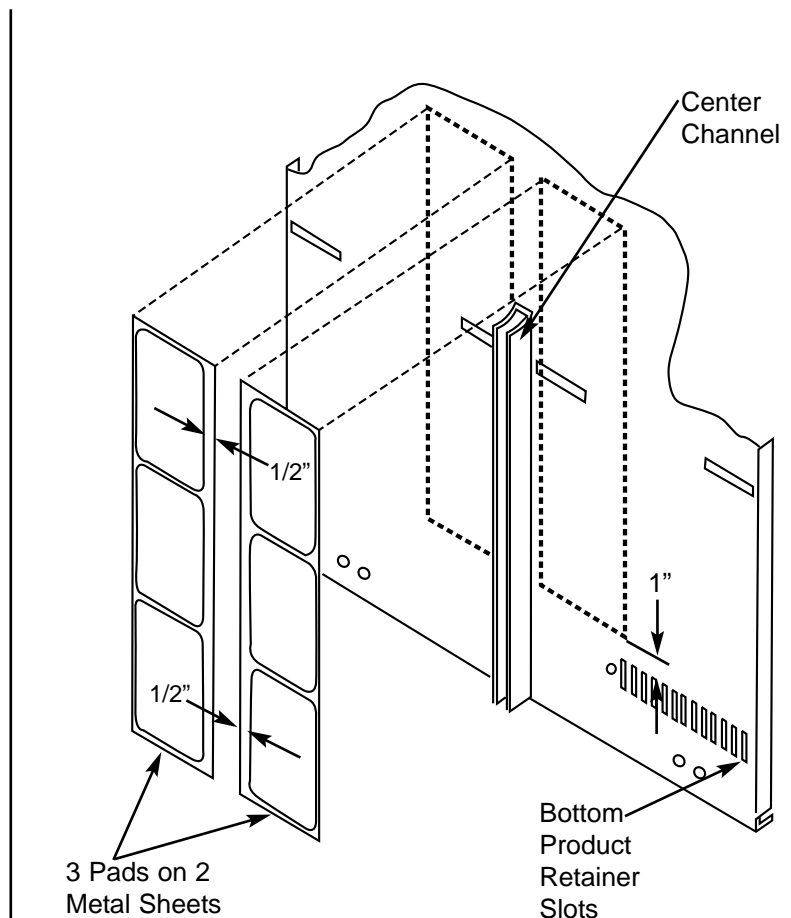
Instructions:

1. Unload column to be retrofitted.
2. Peel off any existing anti-friction sheets.
3. Peel the backing from the 3 pieces of the "two-sided" tape on the rear of the 3 padded metal sheets.
4. Place the 3 padded metal sheet on the column wall against the center channel (divider between the front and rear columns). Make sure that the edge of the 3 padded metal sheet with $\frac{1}{2}$ " of metal exposed is aligned against the center channel as shown in the below diagrams. Locate the bottom edge of the sheet approximately 1" above the bottom product retainer slots on both right and left column wall.

Note: Make sure that the column is dry and clean before applying the anti-bridging plate.



LEFT COLUMN WALL



RIGHT COLUMN WALL

ANY QUESTIONS??? CONTACT ROYAL VENDORS' CUSTOMER SERVICE DEPARTMENT
CALL TOLL FREE (800) 931-9214