



# Helpful Hints **0016**

*clear & easy*

201 INDUSTRIAL BOULEVARD • KEARNEYSVILLE, WV 25430  
Phone: (304) 728-7056 • Fax: (304) 725-6579 • Toll Free: (800) 931-9214

PAGE: 1 of 1

DATE: 6-18-02

REVISION: 03

**SUBJECT:** Installation of Validator (Deeper than 4 1/2")

**MODELS:** Landscape Venders

**TOOLS REQUIRED:** Drill, 1/8" drill bit, 11/32" deep-well socket

**ESTIMATED TIME:** 5 minutes

The following areas of this vender contain voltage, which can cause serious injury or even death. The main power cord, supplying 110 VAC to the evaporator, EMI filter, and refrigeration system. The power line from the EMI filter to the ballast and transformer. The ballast can produce upwards of 600 volts. Remove power from vender before working in any of these areas.

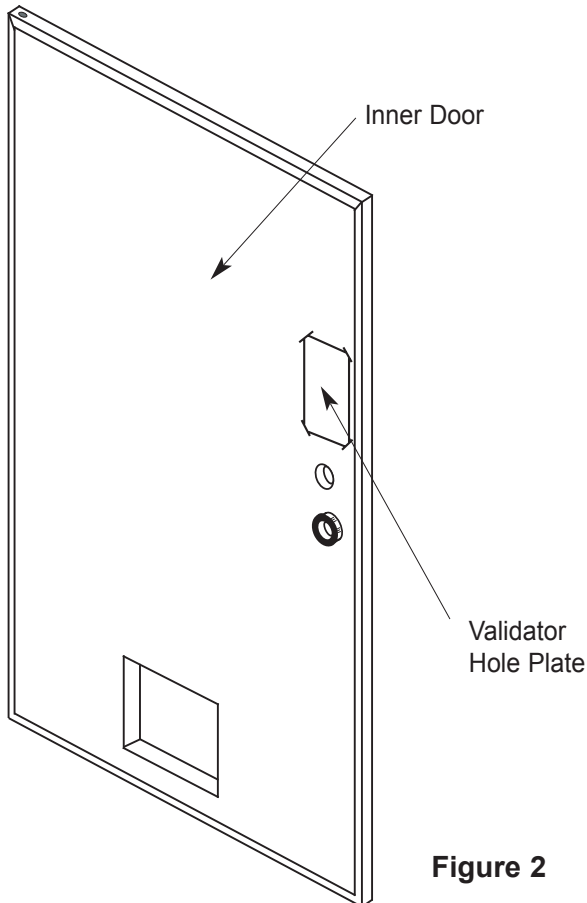
# of People Required



## INSTRUCTIONS:

**For a Validator deeper than 4.5 inches (from the front of the mounting plate to the rear of the bill box) a validator hole plate (fig. 2) must be present in the inner door.**

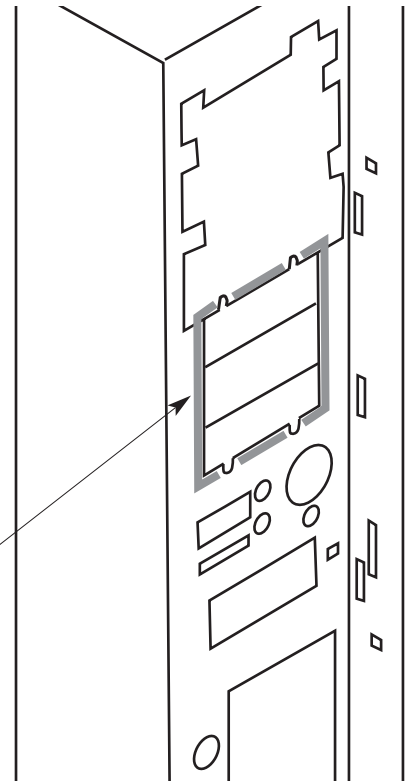
1. Power down vender
2. If a validator guard is present, remove door by drilling out the pop rivets attached to the main door frame with a 1/8" drill bit. See Figure 3
3. Remove the validator filler plate (four 11/32 nuts)
4. Install the validator mounting bracket (010535 GIII, 012508 MIV, 100504 Dr Pepper). Attach two 11/32 nuts to the bottom thread studs of the bracket.
5. Apply the validator gasket (929013 GIII or 929016 MIV). See Figure 1
6. Install validator with the four 11/32 nuts from the filler plate and connect harness.
7. Remove the validator hole plate, located on the inner door above the T-handle hole. See Figure 2



**Figure 2**

Validator Gasket

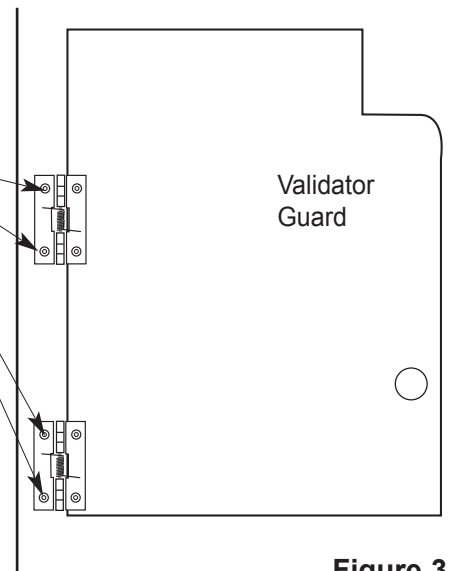
**Figure 1**



Drill Rivets (If Validator Guard is present)

Validator Guard

**Figure 3**



**ANY QUESTIONS??? CONTACT ROYAL VENDORS' CUSTOMER SERVICE DEPARTMENT  
CALL TOLL FREE (800) 931-9214**