



SERVICE BULLETIN # 00164

426 INDUSTRIAL BOULEVARD • KEARNEYSVILLE WV 25430-2776 • USA
 Phone: (304) 728-7056 • Fax: (304) 725-6579 • Toll Free: (800) 931-9214

PAGE: 1 of 1
DATE: 2-13-04
REVISION: 02

SUBJECT: CCR Lock Cover Kit Installation		# of People Required
MODELS: All Marketing Venders		
Kit Number	Kit Description	
290040	CCR Lock Cover Kit, Black	
290042	CCR Lock Cover Kit, Red	
TOOLS REQUIRED: 7/16" socket, utility knife		
ESTIMATED INSTALLATION TIME: 15 minutes		

Instructions:

NOTE: Before working on vender, remove power from it by unplugging the vender's main power cord from the AC voltage source.

1. Remove both screws that hold the T-handle brace, then remove the T-handle brace. (see figure 1)
2. Remove both nuts that hold the T-handle housing, then remove the T-handle housing.
3. Remove both lock cover hole blocks.
4. Expose both upper and lower slots.
5. Reapply the T-handle housing.
6. Insert the "L-shape" part of the lock cover through the top exposed slot, then secure with nut. (see figure 2)
7. Tighten both nuts after "L-shape" bracket has been inserted into the top exposed slot.
8. Reapply the T-handle brace.
9. On the front of the vender, insert the tab of the lock cover arm into the bottom exposed slot, then insert the lock cover arm through the L-shape bracket. (see figure 2)

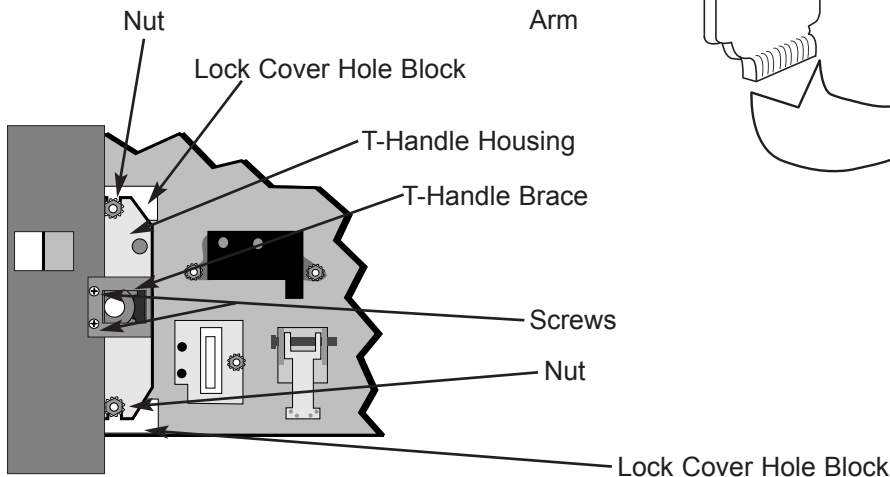


Figure 1

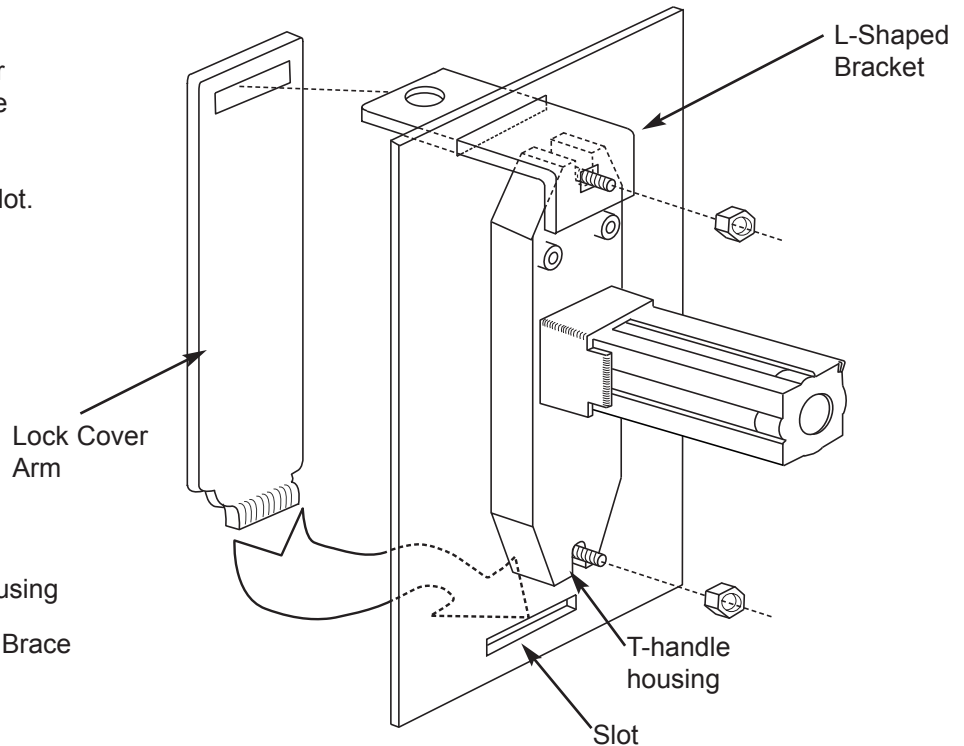


Figure 2

In an effort to provide our customers with the latest information on our equipment, Royal Vendors sends service bulletins to customers using the original ship-to address or e-mail addresses, if supplied by our customers. We also post all service bulletins on our website at www.royalvendors.com. If for any reason a vender is moved to another location or is sold to another customer other than to whom Royal Vendors originally sent the machine, it is the responsibility of the original purchaser of the vender to notify the appropriate personnel of the service bulletin.

**ANY QUESTIONS??? CONTACT ROYAL VENDORS' CUSTOMER SERVICE DEPARTMENT
 CALL TOLL FREE (800) 931-9214**