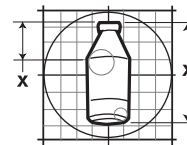




163 Package Vending Specification

426 Industrial Boulevard • Kearneysville WV 25430-2776 • USA
 Telephone: +1 304 728 7056 • technicalinquiry@royalvenders.com
 Toll-free in North America: 1 800 931 9214 • Fax: +1 304 725 4016
 Canada: +1 905 738 5777 • Mexico: +52 55 5203 6887
 Europe: +49 2158 95 1000 • Australia: +61 2 9890 5433



Page: 1 of 1

Date: 14 Oct 09

Revision: 00

PRODUCT NAME: 16 oz Coca-Cola Contour
BOTTLER / COMPANY: The Coca-Cola Company
VOLUME: 16 oz. / 473 mL
PACKAGE TYPE: PET
HEIGHT: 8.35 in. / 212.2 mm
DIAMETER: 2.61 in. / 66.4 mm
WEIGHT: 1.15 lbs. / 0.52 kg
COUNTRY OF ORIGIN: USA



APPROVED VENDERS

VENDER	RETAINERS		79" CAPACITY	
	Front	Rear	Front	Rear
GIII	9	4	31	31
TDV	6	6	32	64
RVV NG	N/A	N/A	8	N/A

KITS / PARTS: No kits required.

INSTALLATION INSTRUCTIONS

GIII:

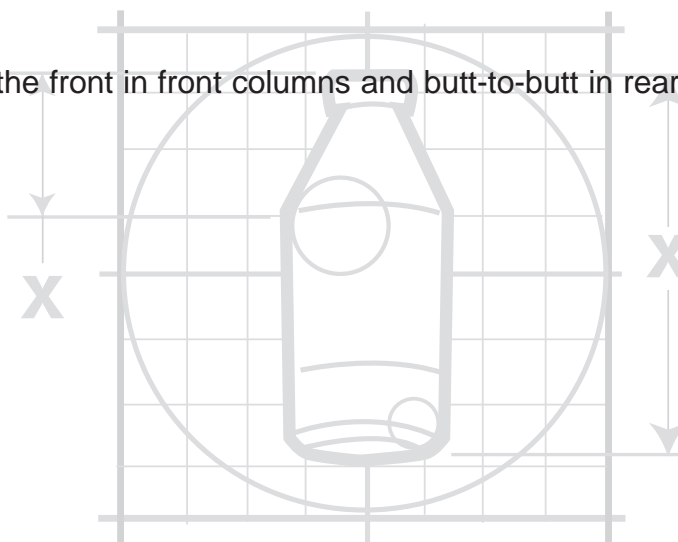
Place product stops in the small package position. Load bottles with caps to the front in front columns and caps to the rear in rear columns.

TDV:

Load bottles with caps to the front in front columns and butt-to-butt in rear columns.

RVV NG:

No special instructions.



**ANY QUESTIONS? CONTACT ROYAL VENDORS' CUSTOMER SERVICE DEPARTMENT
 IN NORTH AMERICA, CALL TOLL FREE 1 800 931 9214**