



SERVICE BULLETIN # 00160

201 INDUSTRIAL BOULEVARD • KEARNEYSVILLE, WV 25430
Phone: (304) 728-7056 • Fax: (304) 725-6579 • Toll Free: (800) 931-9214

PAGE: 1 of 1

DATE: 6-19-02

REVISION: 03

SUBJECT: IEC SWITCH REPAIR

MODELS: IEC VENDERS

KIT NUMBER

KIT DESCRIPTION

141132

IEC SWITCH REPAIR KIT



The following areas of this vender contain voltage, which can cause serious injury or even death. The main power cord, supplying 110 VAC to the evaporator, EMI filter, and refrigeration system. The power line from the EMI filter to the ballast and transformer. The ballast can produce upwards of 600 volts. Remove power from vender before working in any of these areas.

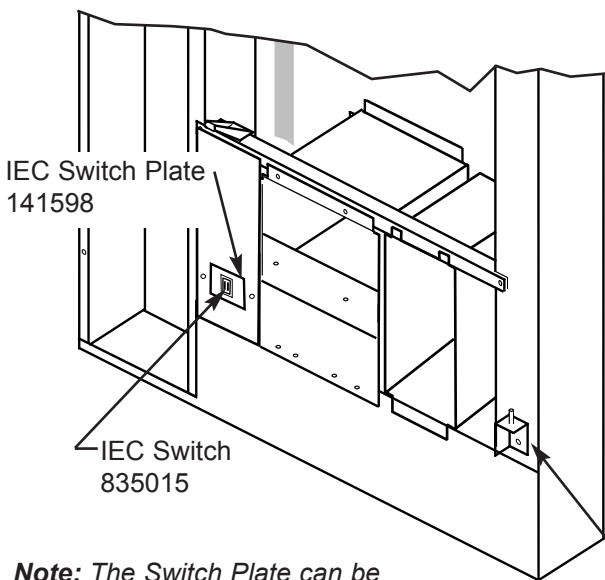
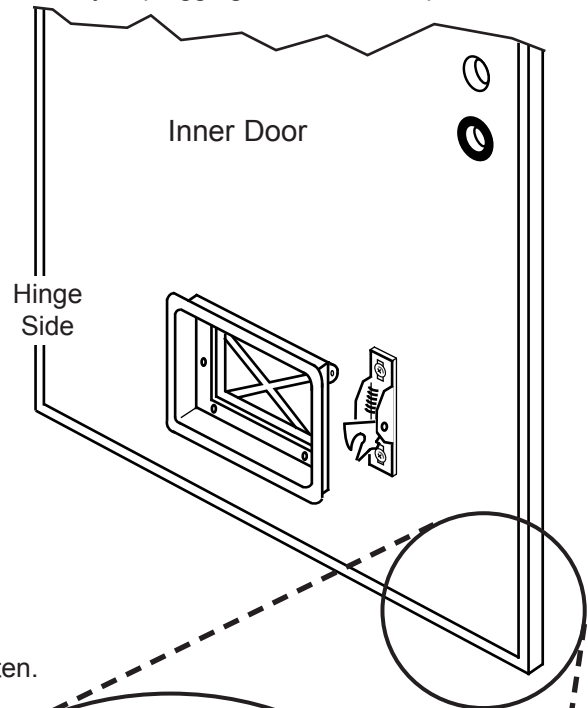
BEFORE WORKING ON VENDER: Remove power from vender by unplugging vender's main power cord from the AC voltage power source (wall outlet).

REASON FOR FIX:

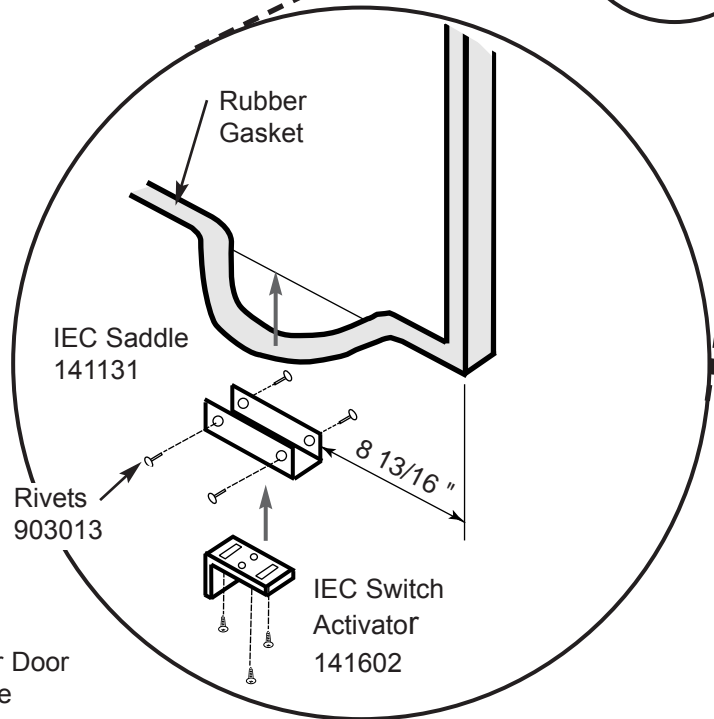
When the IEC Switch Activator doesn't make proper contact with the IEC Switch because of stripped screws.

INSTRUCTIONS:

- 1). Open the Inner Door, then loosen the Rubber Gasket at the lower right corner by unscrewing a couple of screws.
- 2). Tape the Saddle in place 8 13/16 inches away from the edge of the door.
- 3). Drill 1/4 inch holes through both sides of the Inner Door.
- 4). Secure Saddle with the two rivets provided. (*untape*)
- 5). Re-mount the rubber Gasket.
- 6). Tape IEC Switch Activator to the bottom of the Saddle, then drill two 1/8" holes through the elongated slots provided.
- 7). Fasten IEC Switch Activator so it is able to slide then line it up with the IEC Switch. (*untape*)
- 8). Tighten when bracket is lined up.
- 9). Secure the IEC Switch Activator by drilling one more 1/8" hole and fasten.



Note: The Switch Plate can be adjusted horizontally if needed.



ANY QUESTIONS??? CONTACT ROYAL VENDORS' CUSTOMER SERVICE DEPARTMENT
CALL TOLL FREE (800) 931-9214