



SERVICE BULLETIN # 00156

201 INDUSTRIAL BOULEVARD • KEARNEYSVILLE, WV 25430

Phone: (304) 728-7056 • Fax: (304) 725-6579 • Toll Free: (800) 931-9214

PAGE: 1 of 1

DATE: 6-19-02

REVISION: 04

SUBJECT: Lamp Socket Failure

MODELS: Venders Utilizing Hi-Output and Slim Line Lamping w/Serial #'s 1343-0001 CH to 1449-5000 DJ

Reason for Fix:

Recent customer feedback on a very small group of venders in outside locations have exhibited a localized harness melt down within the vender door and in the proximity of the lower lamp sockets. Investigation has indicated that moisture has gotten into the socket and over a period of time has created a high resistance path to ground which in turn may cause the socket to over heat and produce the melt down.

BEFORE WORKING ON VENDER: Remove power from vender by unplugging vender's main power cord from the AC voltage power source (wall outlet).

Recommended Field Remedies:

With priority given to:


1. Outside Locations
2. Inside locations that have previously been on outside locations.

- A. Allow lamp and socket area to cool.
- B. Remove both plastic covers attached to bottom lamp brackets and discard. (See Figure 1.1)
- C. Reposition the harnessing at the right & left side of door away from lamp and wire tie to door.
- D. Using sealant, run a bead from along each side of delivery port bottom from front to back including back vertical area but excluding front vertical area. (See Figure 1.2)

Parts:

May be ordered from Royal Vendors Service Department:

1. Black RTV Sealant
2. Large Wire Tie (916063)
(2 per vender required)



The following areas of this vender contain voltage, which can cause serious injury or even death. The main power cord, supplying 110 VAC to the evaporator, EMI filter, and refrigeration system. The power line from the EMI filter to the ballast and transformer. The ballast can produce upwards of 600 volts. Remove power from vender before working in any of these areas.

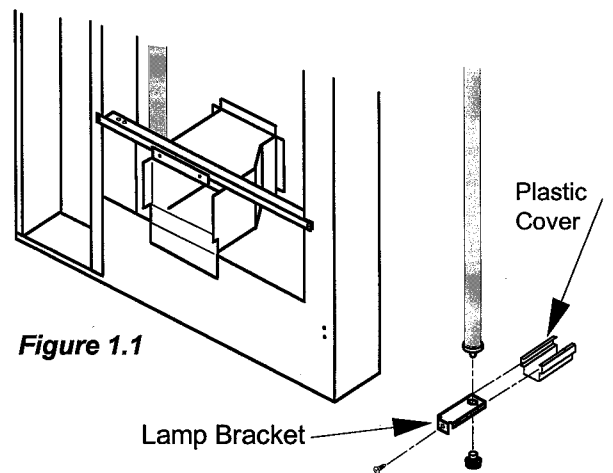


Figure 1.1

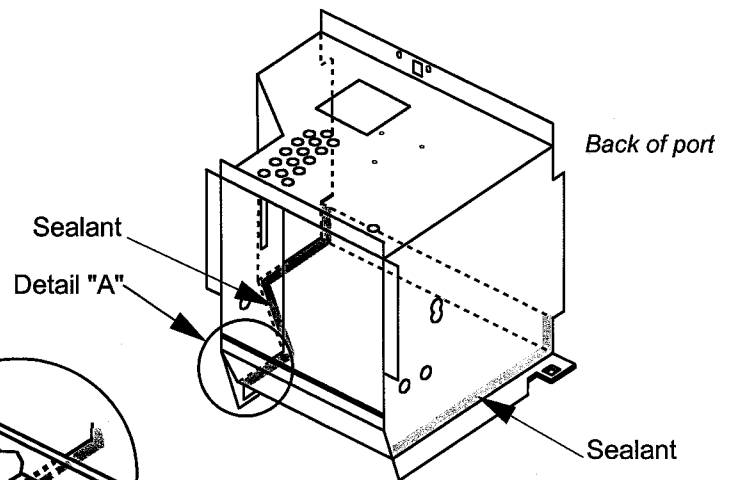


Figure 1.2

Do Not run beads of sealant on both front vertical areas of the port.

Detail "A"

**ANY QUESTIONS??? CONTACT ROYAL VENDORS' CUSTOMER SERVICE DEPARTMENT
CALL TOLL FREE (800) 931-9214**